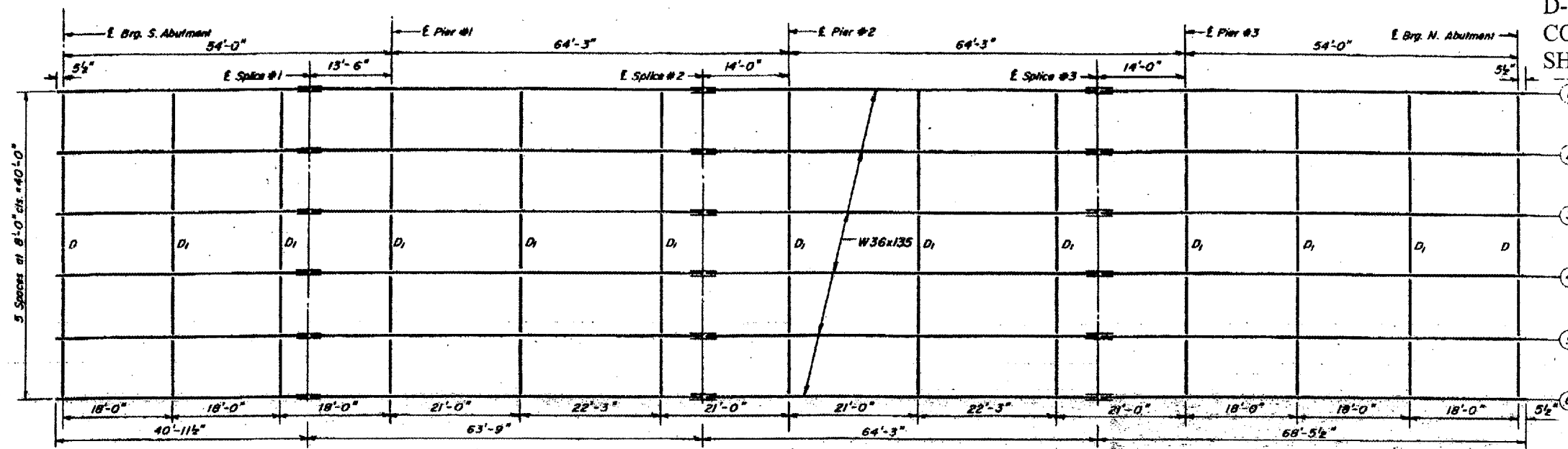
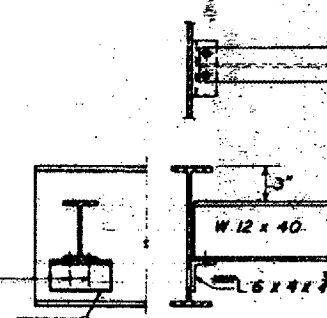
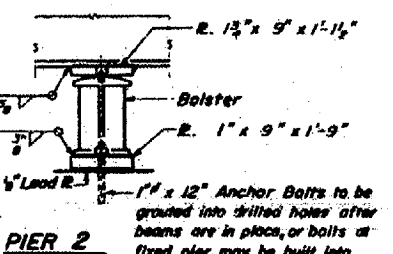
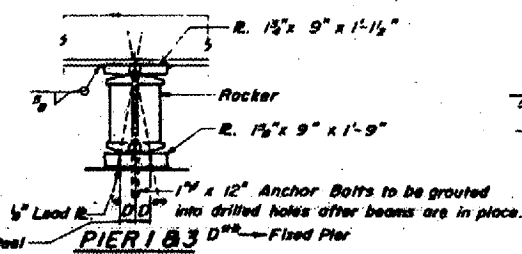
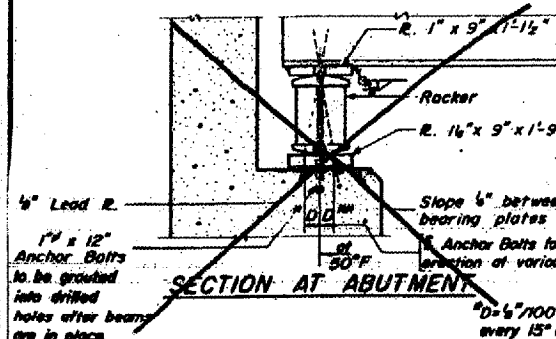


STATE OF ILLINOIS
DEPARTMENT OF TRANSPORTATION

VARIOUS ROUTES
VARIOUS COUNTIES
D-9 BRIDGE PAINTING FY 06-1
CONTRACT 98941
SHEET 43 OF 48



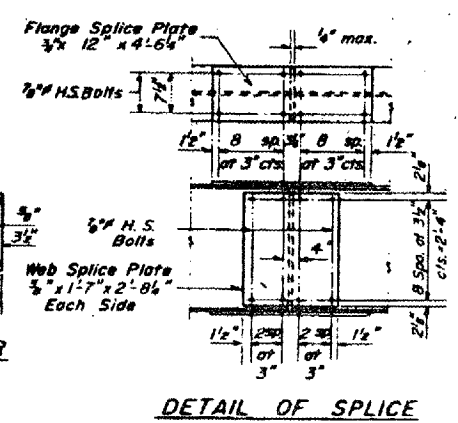
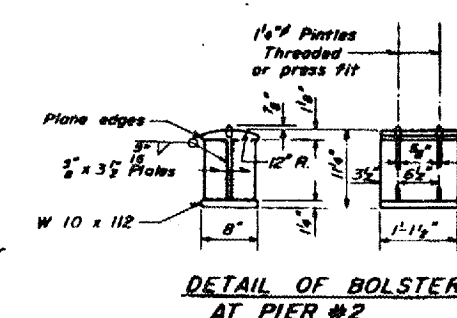
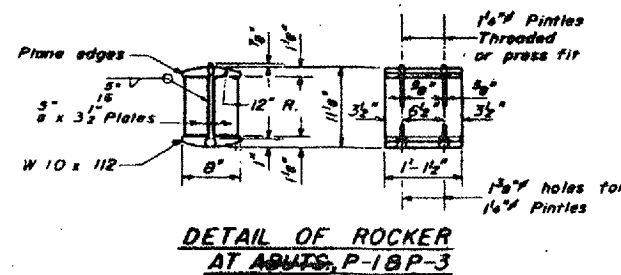
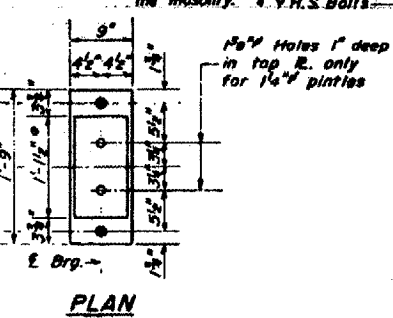
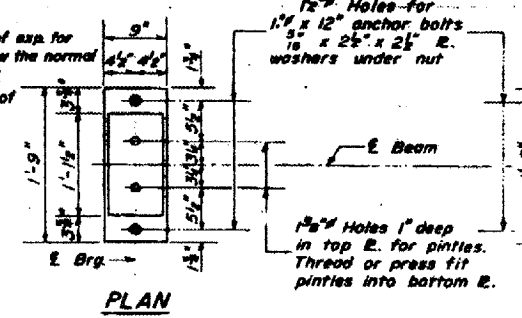
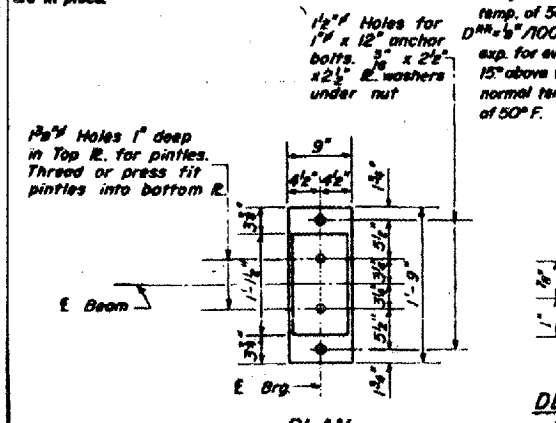
PLAN



ELEVATION TOP OF W
(For Fabrication Only)

Beam #	1	2	3	4	5	6
Elevation	433.71	433.87	434.03	434.19	434.35	434.51

All at Control Points.



DESIGNED: *[Signature]*
CHECKED: *[Signature]*
DRAWN: *[Signature]*
OCT. 15 1973

BRIDGE NO. 41
073-0026
FOR INFORMATION ONLY

STRUCTURAL STEEL
F.A. RT. 128 SEC. 8-1B-1
PERRY COUNTY
STA. 282+26