

NOTES

For additional information, see Standard Specifications.
 For reinforcement details, see Sheets 27-28.
 For Station and Offset, see Proposed Storm Sewer Plan and Profile.

The maximum width of excavation is the width of the junction chamber plus 4 feet, and the maximum length is the length of the junction chamber plus 4 feet. Excavation outside the maximum dimensions specified will not be measured for payment.

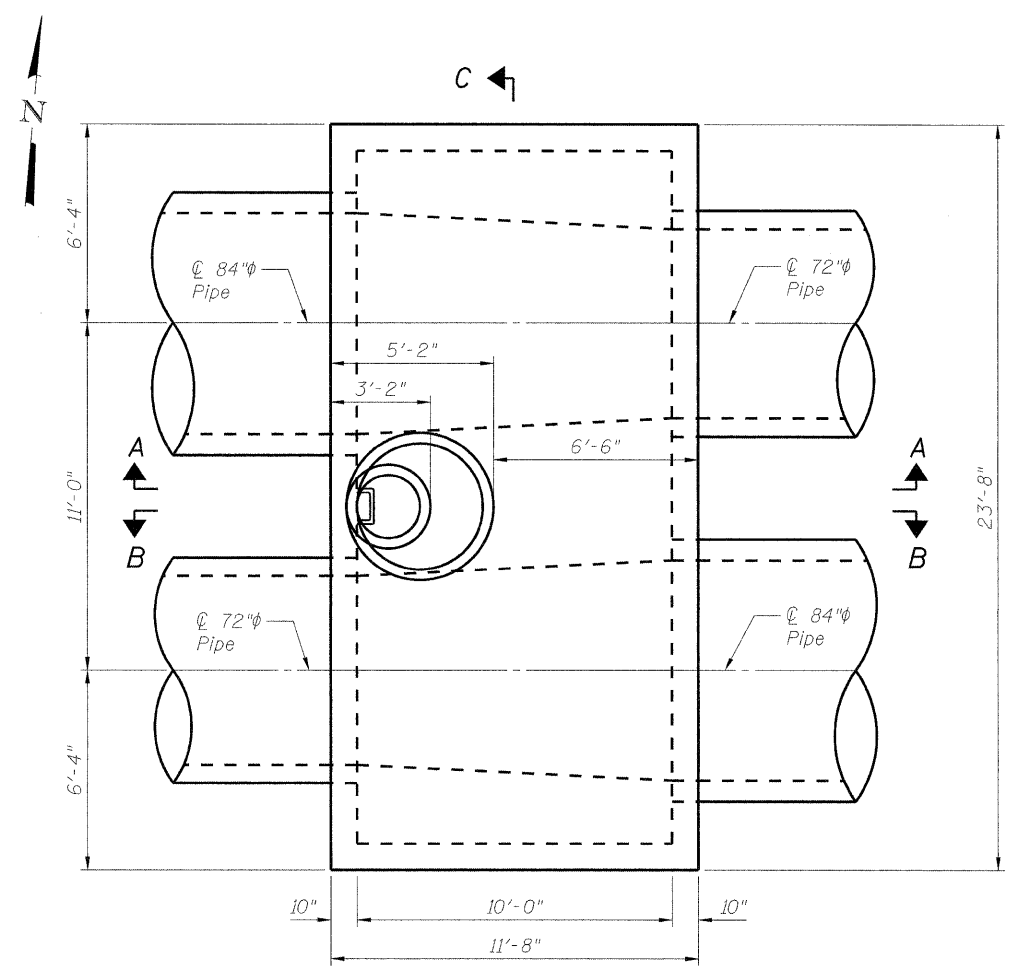
The design of the braced excavation is the responsibility of the Contractor. The Contractor shall submit drawings and design for the braced excavation to the Engineer for approval. The braced excavation design and drawings shall be signed and sealed by an Illinois licensed Structural Engineer, submitted and approved prior to the start of any work. The Engineer's approval shall not relieve the Contractor from the sole responsibility of the structural integrity of the braced excavation system.

All dimensions and elevations shall be verified prior to construction.

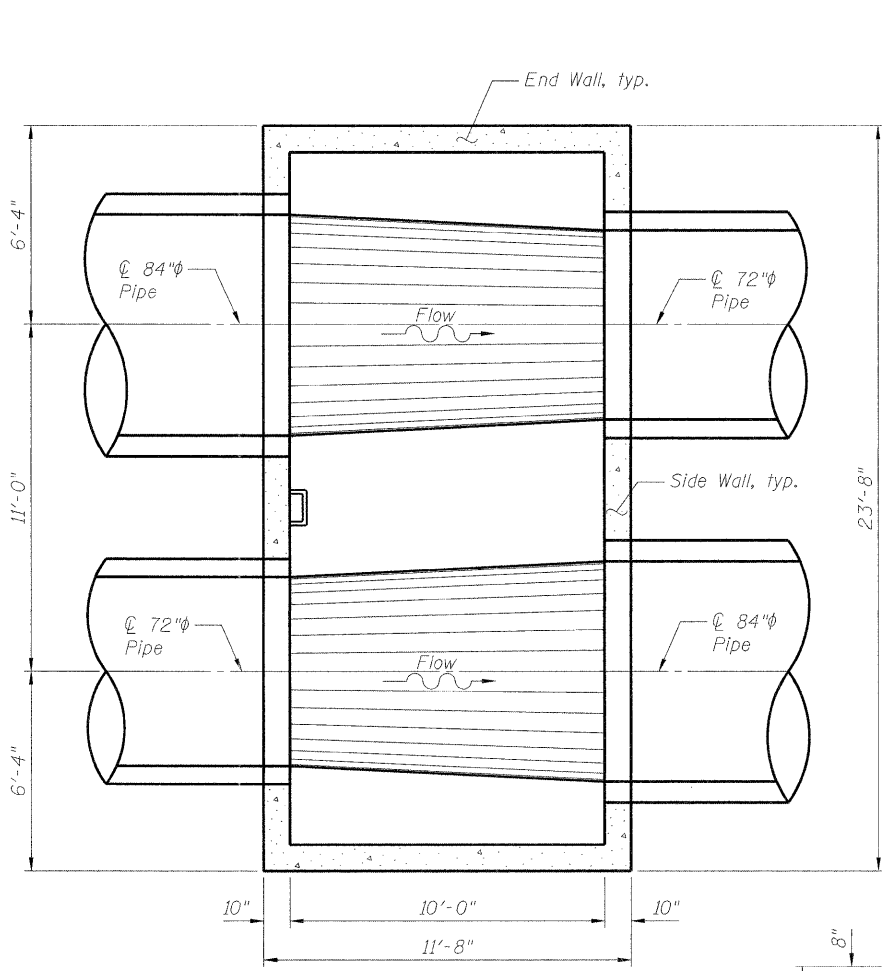
Concrete pipe sizes shall be coordinated with openings provided into junction chambers before pouring concrete.

Concrete cover for reinforcement steel to be 2" unless otherwise noted.

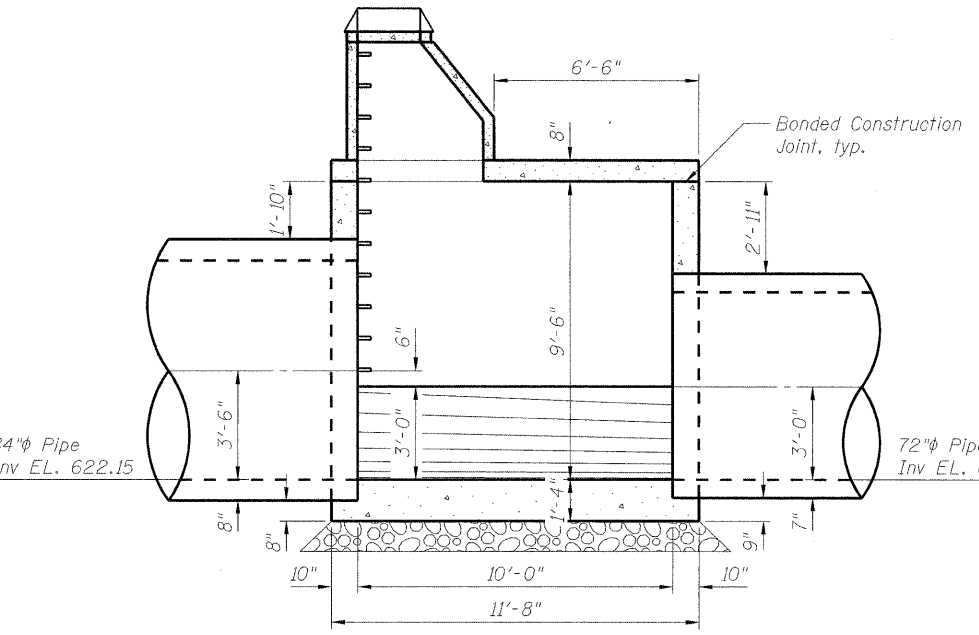
All concrete edges shall be chamfered 1 inch.
 Concrete Compressive Strength $f_c = 3,500$ psi.
 Steel Yield Strength = 60,000 psi.



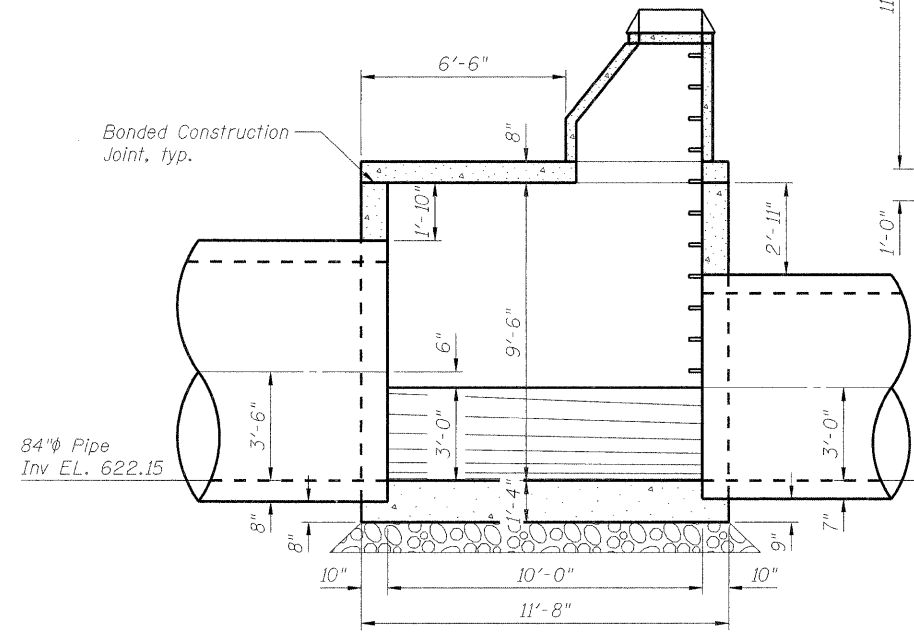
TOP PLAN



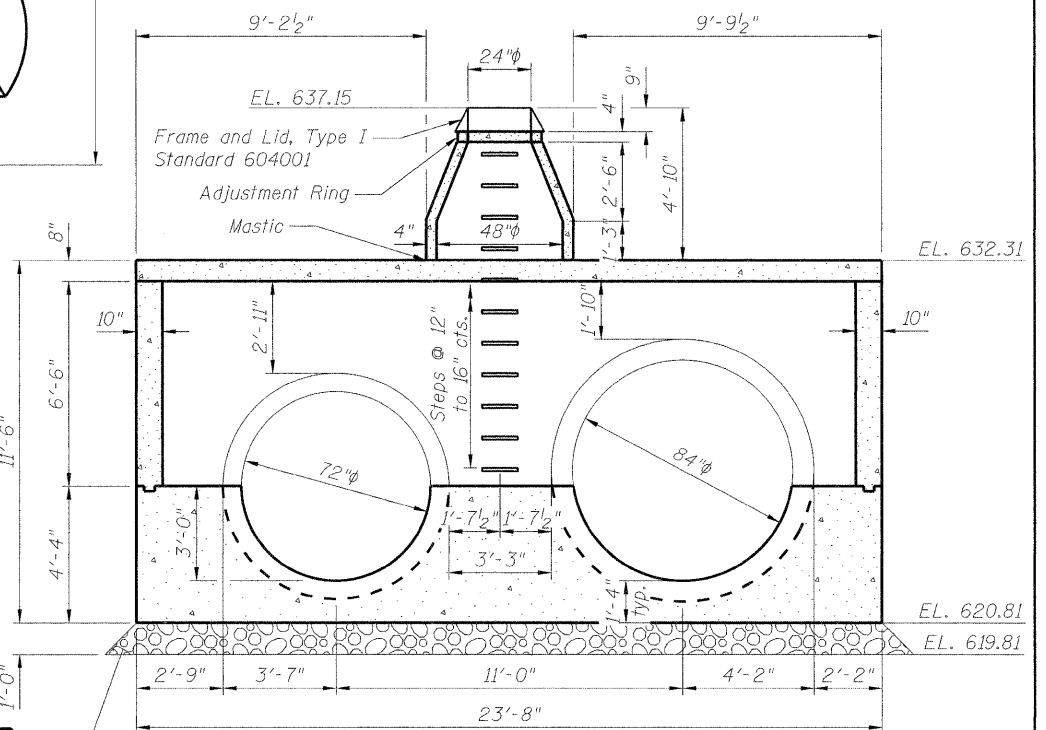
SECTIONAL PLAN



SECTION A-A



SECTION B-B



SECTION C-C

Remove and replace unsuitable soil.
 Backfill with Porous Granular Embankment.

**JUNCTION CHAMBER #1
 BILL OF MATERIAL**

| Item | Unit | Total |
|---|----------|-------|
| Removal and Disposal of Unsuitable Material | Cu. Yds. | 12 |
| Porous Granular Embankment | Cu. Yds. | 12 |
| Concrete Structures | Cu. Yds. | 47.4 |
| Reinforcement Bars | Pound | 5,440 |
| Manholes, Type A, 4'-Diameter, Type 1 Frame, Closed Lid | Each | 1 |
| Braced Excavation | Cu. Yds. | 278 |

FILE NAME = g:\project\202155_011\cadd\structure\01.Box1.Dimensions.dgn



USER NAME = 2bookd
 PLOT SCALE = N/A
 PLOT DATE = 9/7/2011

DESIGNED - TWO
 CHECKED - BHS
 DRAWN - TWO
 CHECKED - GSP

REVISED -
 REVISED -
 REVISED -
 REVISED -

**STATE OF ILLINOIS
 DEPARTMENT OF TRANSPORTATION**

**JUNCTION CHAMBER #1
 GENERAL PLAN AND ELEVATION**

SHEET NO. OF SHEETS

| | | | | |
|---|------------------|-------------|-----------------|--------------|
| F.A.I. RTE. 190 | SECTION 0102.5-T | COUNTY COOK | TOTAL SHEETS 41 | SHEET NO. 26 |
| CONTRACT NO. 60F90 | | | | |
| FED. ROAD DIST. NO. 1 ILLINOIS FED. AID PROJECT | | | | |