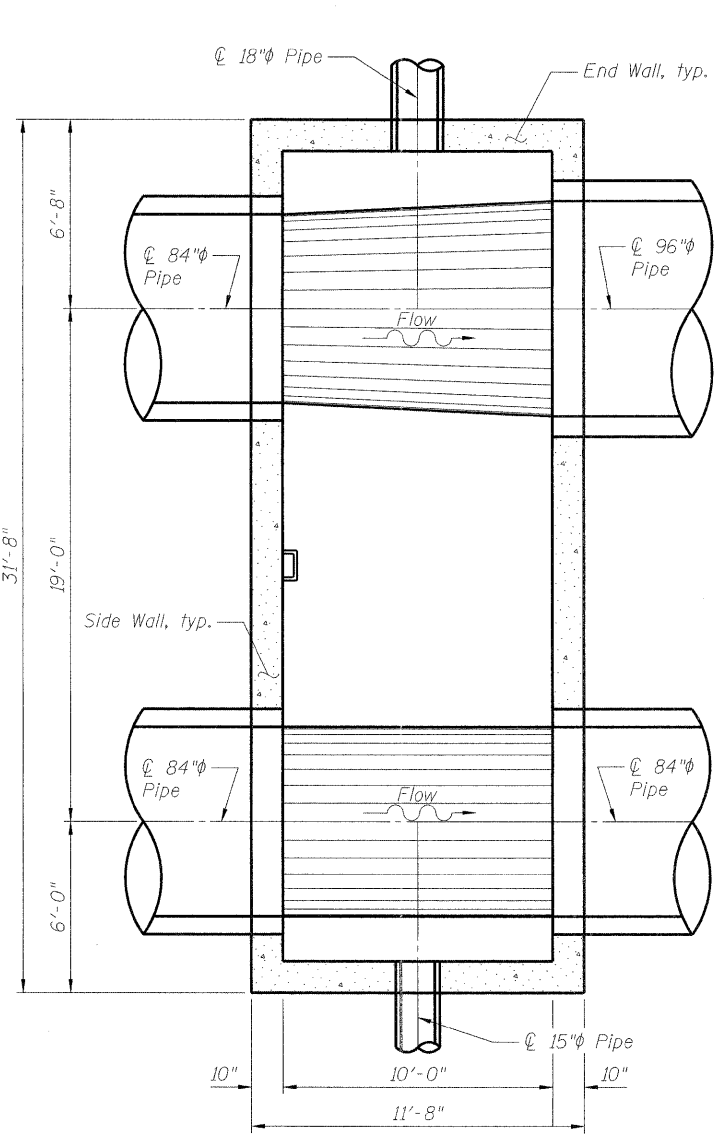
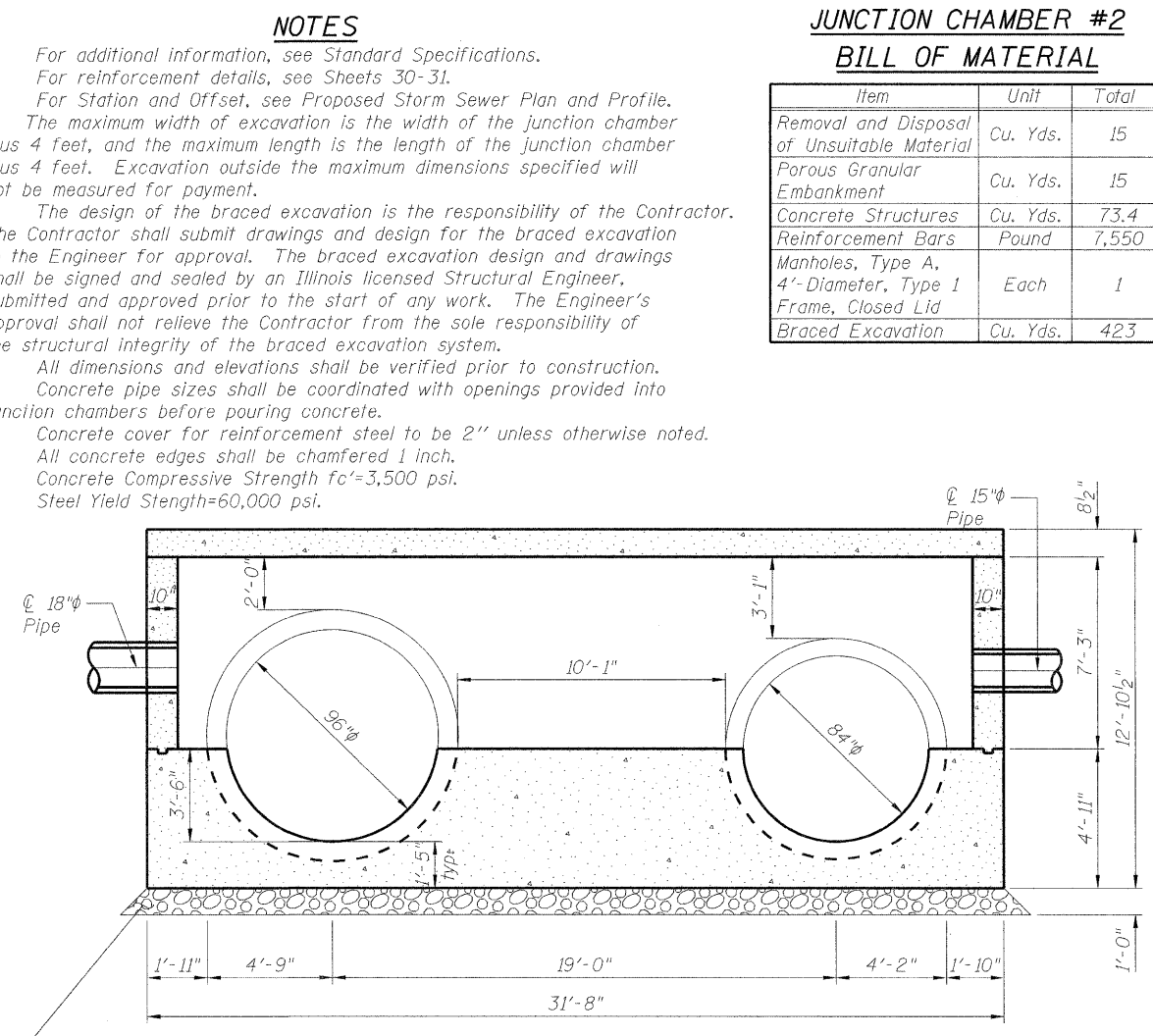


TOP PLAN



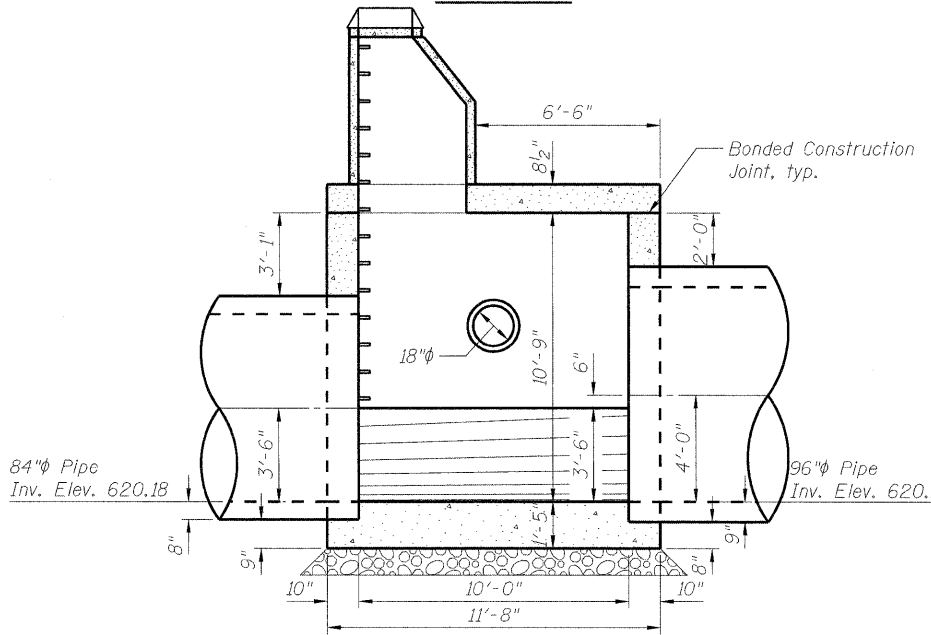
SECTIONAL PLAN



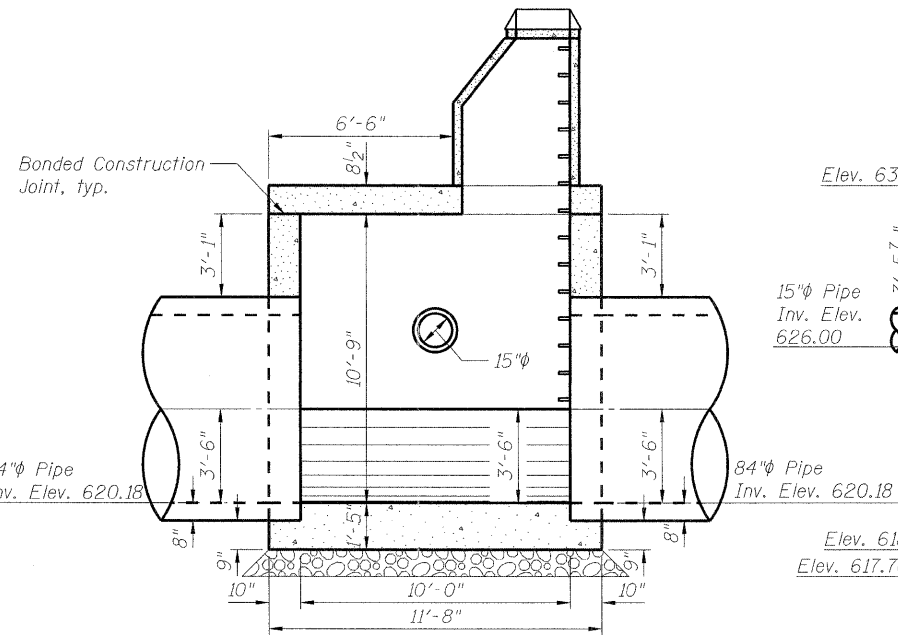
SECTION D-D

Remove and replace unsuitable soil.
Backfill with Porous Granular Embankment.

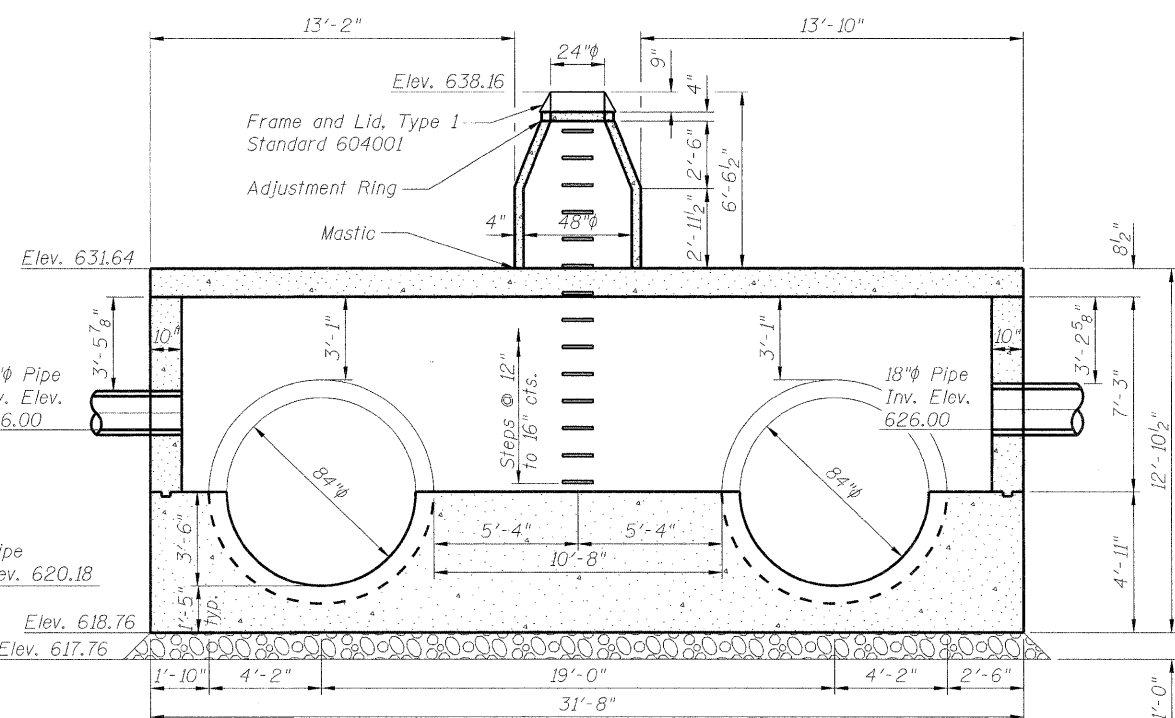
FILE NAME = g:\project\202155_011\ceadd\structure\04_Box2_Dimensions.dgn



SECTION A-A



SECTION B-B



SECTION C-C

NOTES

For additional information, see Standard Specifications.
For reinforcement details, see Sheets 30-31.
For Station and Offset, see Proposed Storm Sewer Plan and Profile.
The maximum width of excavation is the width of the junction chamber plus 4 feet, and the maximum length is the length of the junction chamber plus 4 feet. Excavation outside the maximum dimensions specified will not be measured for payment.
The design of the braced excavation is the responsibility of the Contractor. The Contractor shall submit drawings and design for the braced excavation to the Engineer for approval. The braced excavation design and drawings shall be signed and sealed by an Illinois licensed Structural Engineer, submitted and approved prior to the start of any work. The Engineer's approval shall not relieve the Contractor from the sole responsibility of the structural integrity of the braced excavation system.
All dimensions and elevations shall be verified prior to construction.
Concrete pipe sizes shall be coordinated with openings provided into junction chambers before pouring concrete.
Concrete cover for reinforcement steel to be 2" unless otherwise noted.
All concrete edges shall be chamfered 1 inch.
Concrete Compressive Strength $f'_c = 3,500$ psi.
Steel Yield Strength = 60,000 psi.

**JUNCTION CHAMBER #2
BILL OF MATERIAL**

Item	Unit	Total
Removal and Disposal of Unsuitable Material	Cu. Yds.	15
Porous Granular Embankment	Cu. Yds.	15
Concrete Structures	Cu. Yds.	73.4
Reinforcement Bars	Pound	7,550
Manholes, Type A, 4'-Diameter, Type 1 Frame, Closed Lid	Each	1
Braced Excavation	Cu. Yds.	423



USER NAME = 2bookd	DESIGNED - TWO	REVISED -
PLOT SCALE = N/A	CHECKED - BHS	REVISED -
PLOT DATE = 9/7/2011	DRAWN - TWO	REVISED -
	CHECKED - GSP	REVISED -

**STATE OF ILLINOIS
DEPARTMENT OF TRANSPORTATION**

**JUNCTION CHAMBER #2
GENERAL PLAN AND ELEVATION**

SHEET NO. OF SHEETS

F.A.I. RTE. 190	SECTION 0102.5-T	COUNTY COOK	TOTAL SHEETS 41	SHEET NO. 29
CONTRACT NO. 60F90				
FED. ROAD DIST. NO. 1 ILLINOIS FED. AID PROJECT				