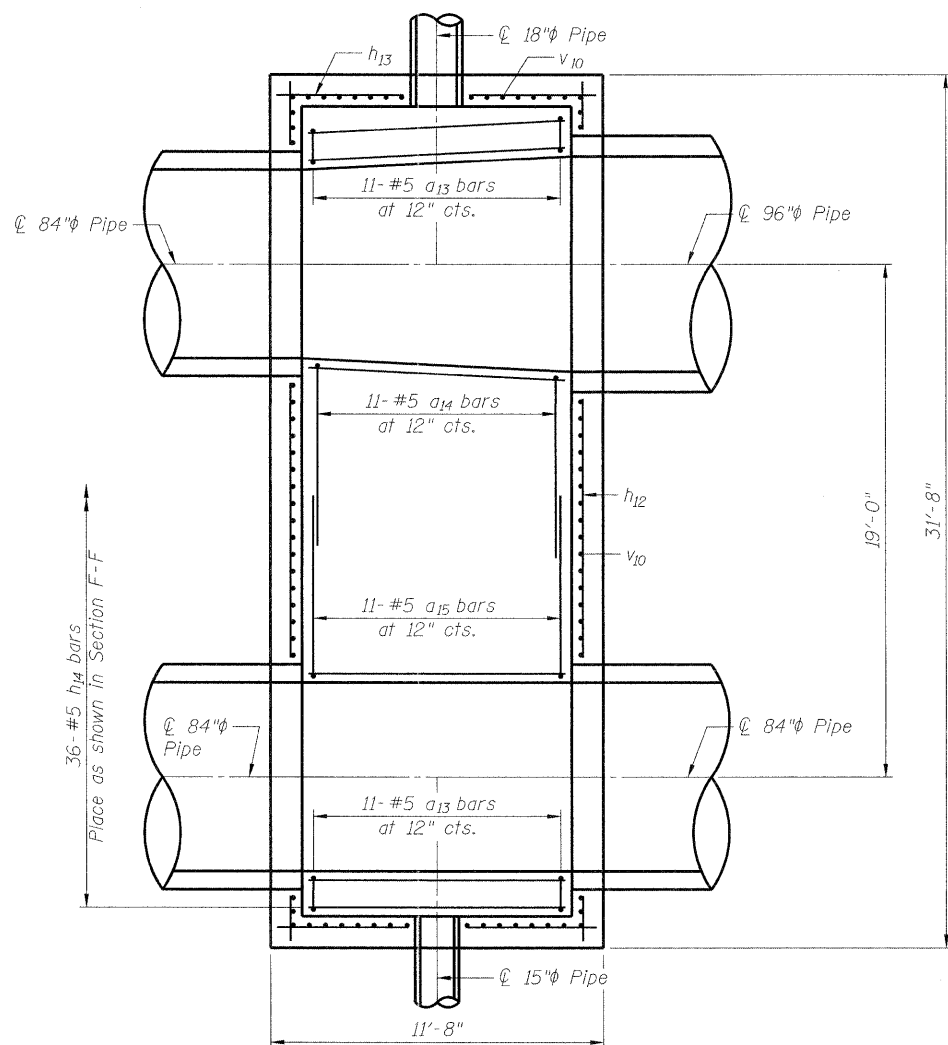
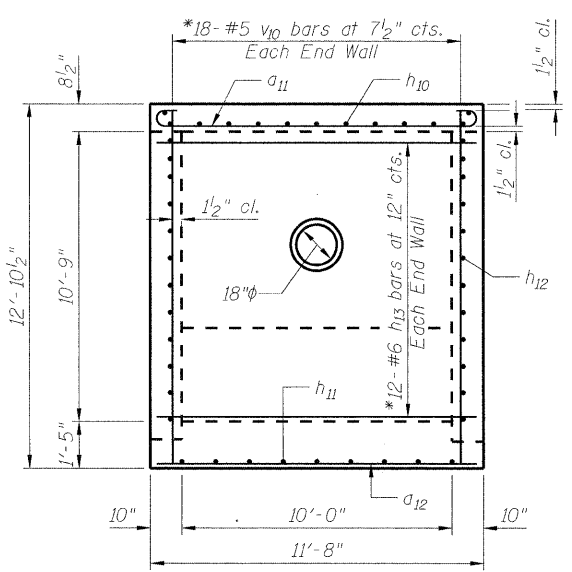


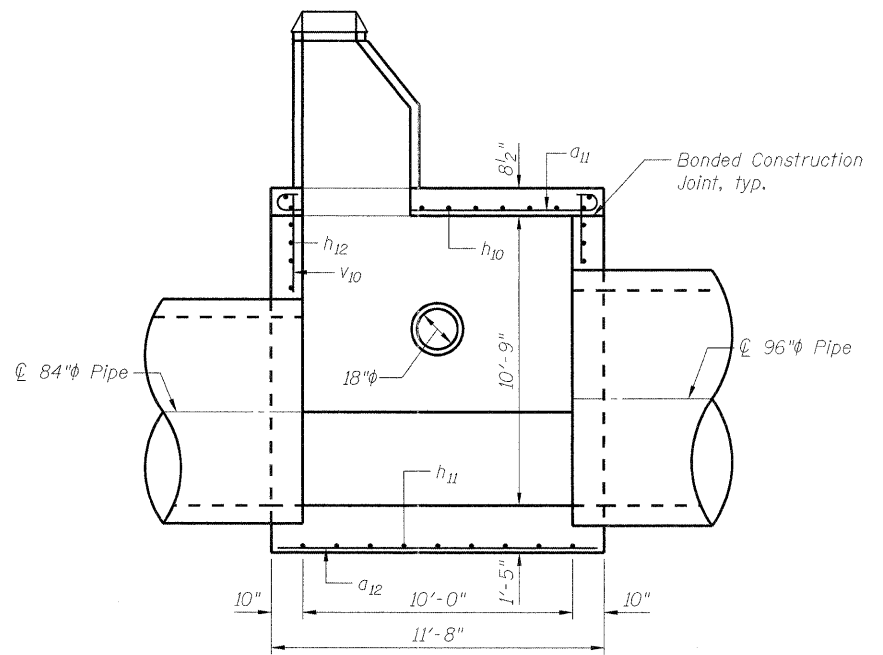
TOP PLAN



SECTIONAL PLAN



END WALL SECTION



SECTION E-E

*Cut bars to fit as required

FILE NAME = g:\projects\2102155_011\cadd\structure\095_Box2_Reinf\Reinforcement.dgn



USER NAME = 2bookd
 PLOT SCALE = N/A
 PLOT DATE = 9/7/2011

DESIGNED - TWO
 CHECKED - BHS
 DRAWN - TWO
 CHECKED - GSP

REVISED -
 REVISED -
 REVISED -
 REVISED -

STATE OF ILLINOIS
 DEPARTMENT OF TRANSPORTATION

JUNCTION CHAMBER #2
 REINFORCEMENT DETAILS (1 OF 2)

SHEET NO. OF SHEETS

F.A.I. RTE.	SECTION	COUNTY	TOTAL SHEETS	SHEET NO.
190	0102.5-T	COOK	41	30
CONTRACT NO. 60F90				
FED. ROAD DIST. NO. 1 ILLINOIS FED. AID PROJECT				