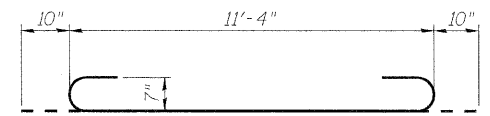
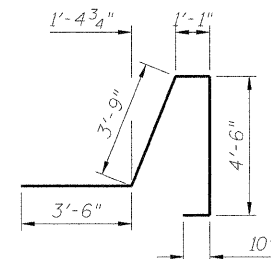


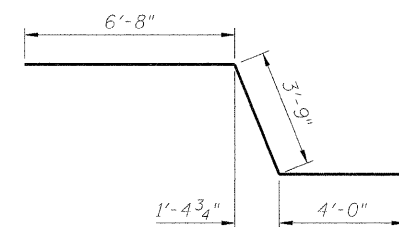
SIDE WALL SECTION



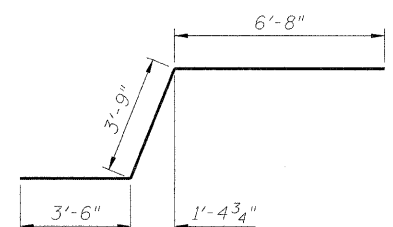
BAR a11



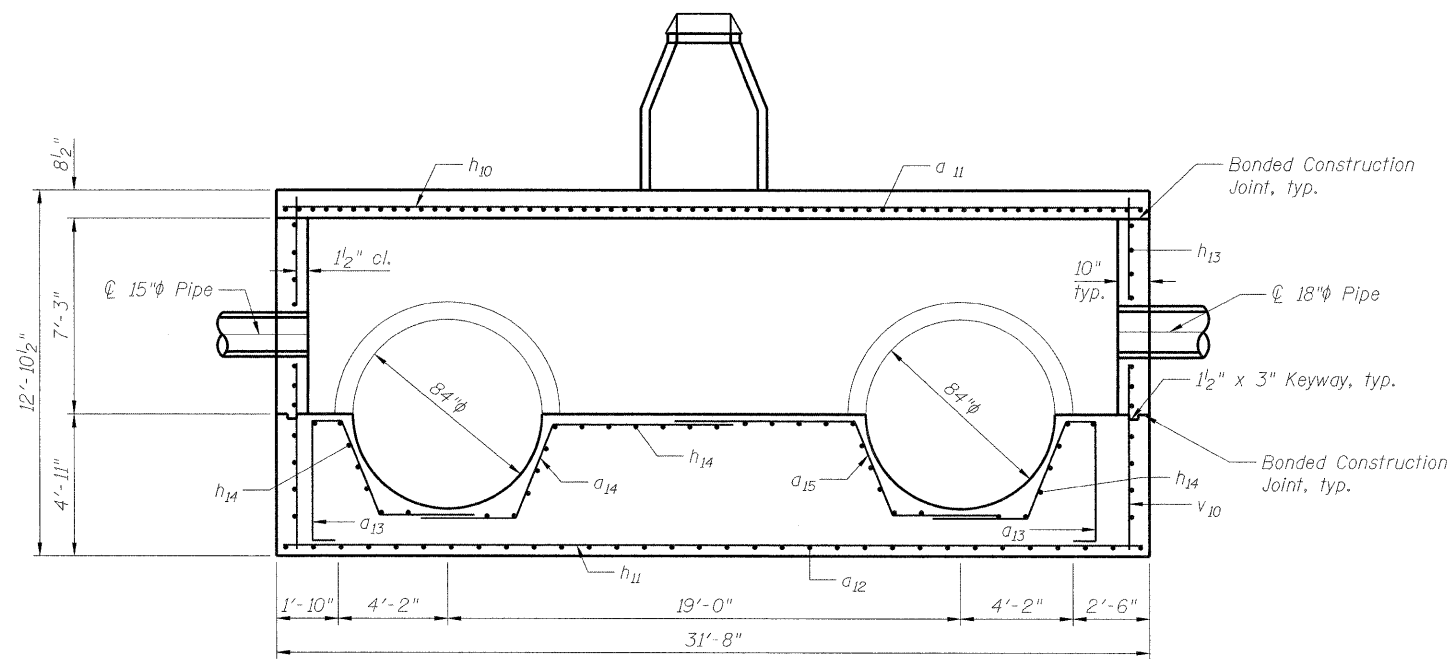
BAR a13



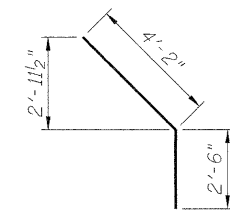
BAR a14



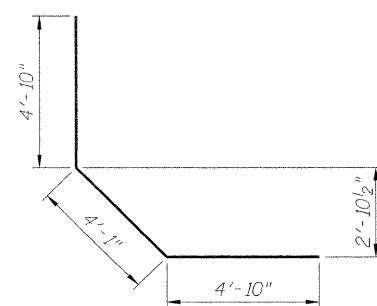
BAR a15



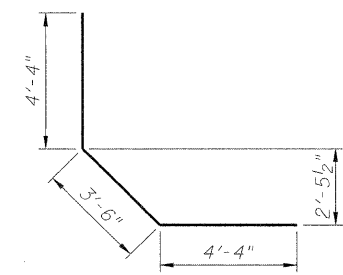
SECTION F-F



BAR h15



BAR h16



BAR h17

*Cut bars to fit as required

BILL OF MATERIAL

Bar	No.	Size	Length	Shape
a11	64	#7	13'-0"	U
a12	32	#6	11'-4"	—
a13	22	#5	13'-8"	Z
a14	11	#5	14'-5"	Z
a15	11	#5	13'-11"	Z
h10	13	#6	31'-4"	—
h11	9	#5	31'-4"	—
h12	24	#6	31'-4"	—
h13	24	#6	11'-4"	—
h14	36	#5	9'-8"	—
h15	4	#5	6'-8"	Z
h16	4	#5	13'-9"	Z
h17	4	#5	12'-2"	Z
v10	132	#5	12'-6"	—

FILE NAME = g:\project\2102155_011\cadd\structure\06_box2_Reinforcement2.dgn



USER NAME = 2bookd
 PLOT SCALE = N/A
 PLOT DATE = 9/7/2011

DESIGNED - TWO
 CHECKED - BHS
 DRAWN - TWO
 CHECKED - GSP

REVISED -
 REVISED -
 REVISED -
 REVISED -

STATE OF ILLINOIS
 DEPARTMENT OF TRANSPORTATION

JUNCTION CHAMBER #2
 REINFORCEMENT DETAILS (2 OF 2)

SHEET NO. OF SHEETS

F.A.I. RTE. 190	SECTION 0102.5-T	COUNTY COOK	TOTAL SHEETS 41	SHEET NO. 31
CONTRACT NO. 60F90				

FED. ROAD DIST. NO. 1 ILLINOIS FED. AID PROJECT