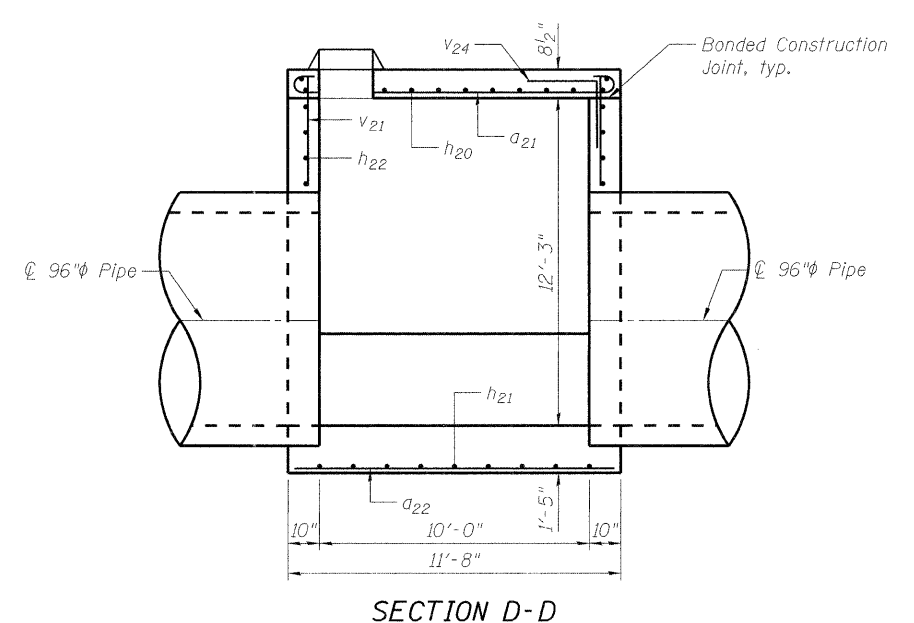
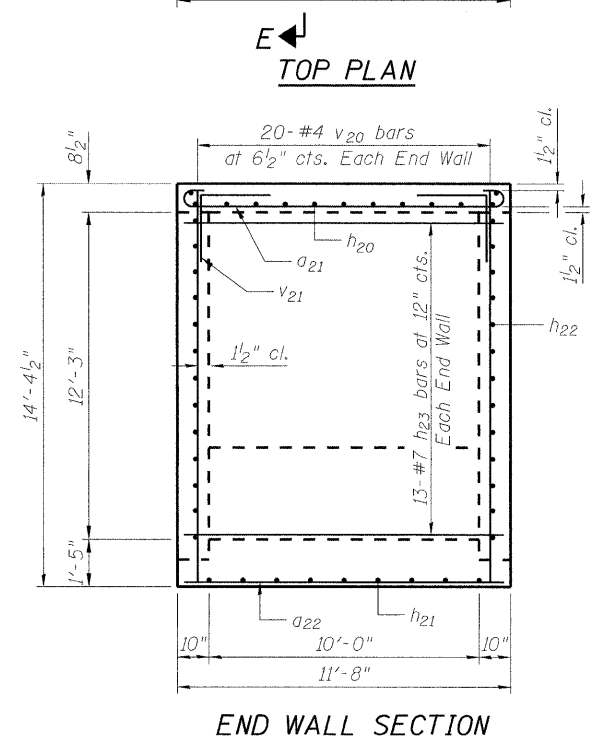
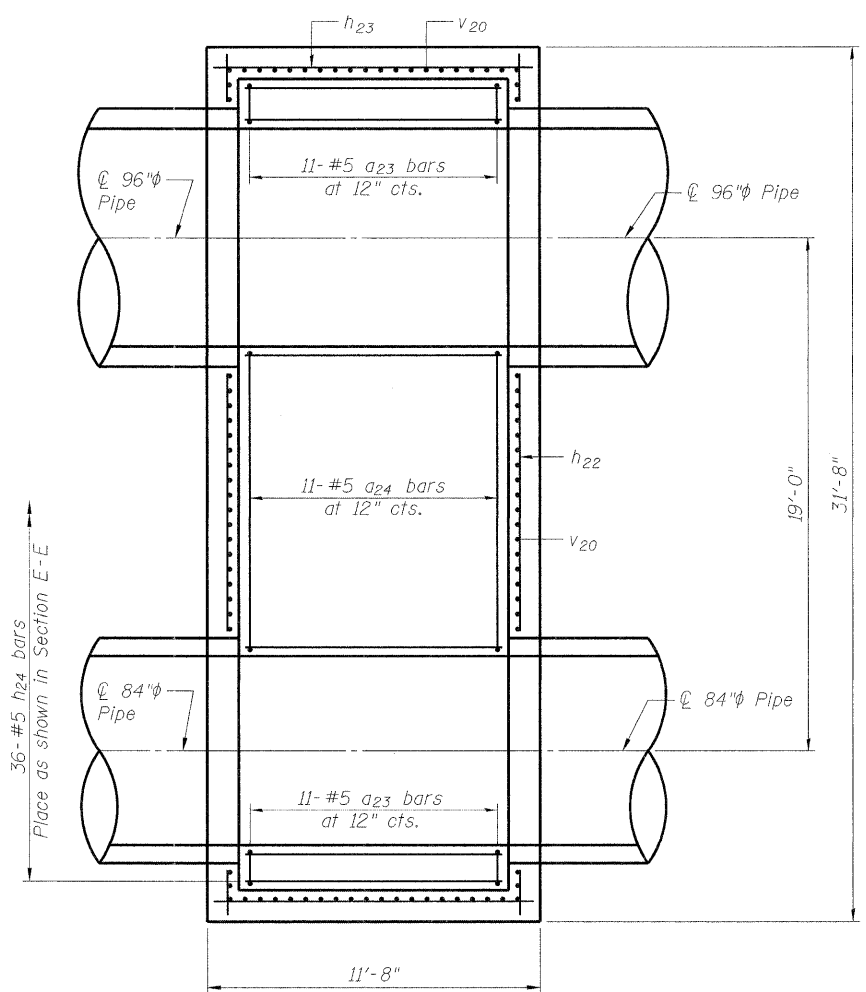
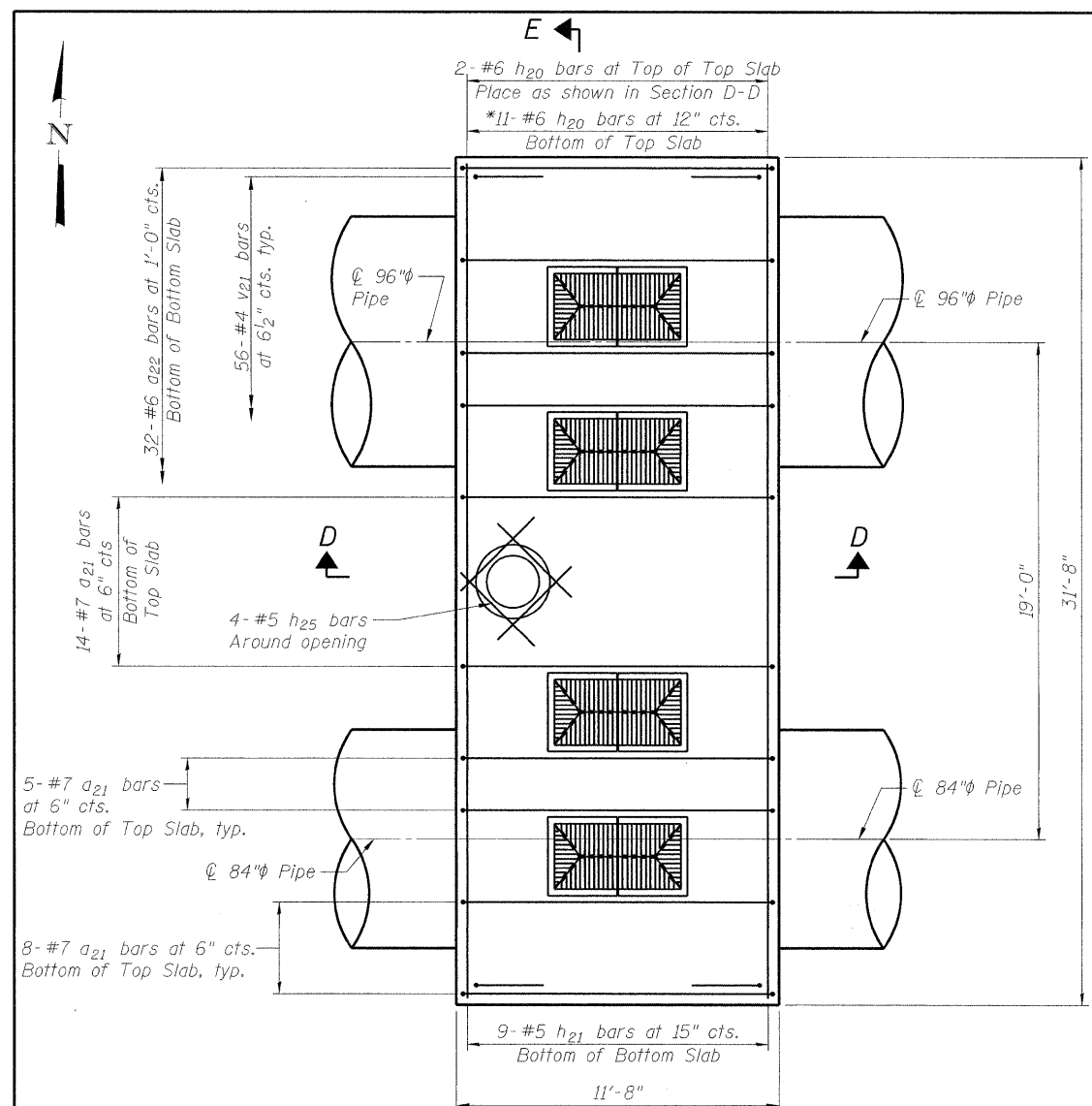


FILE NAME = g:\p\proj\2102155_011\ce\add\structure\008_Box3_Reinforcement.dgn



*Cut bars to fit as required



USER NAME = 2bookd
PLOT SCALE = N/A
PLOT DATE = 9/7/2011

DESIGNED - TWO
CHECKED - BHS
DRAWN - TWO
CHECKED - GSP

REVISED -
REVISED -
REVISED -
REVISED -

STATE OF ILLINOIS
DEPARTMENT OF TRANSPORTATION

JUNCTION CHAMBER #3
REINFORCEMENT DETAILS (1 OF 2)

F.A.I. RTE. 190	SECTION 0102.5-T	COUNTY COOK	TOTAL SHEETS 41	SHEET NO. 33
SHEET NO. OF SHEETS			CONTRACT NO. 60F90	
FED. ROAD DIST. NO. 1 ILLINOIS FED. AID PROJECT				