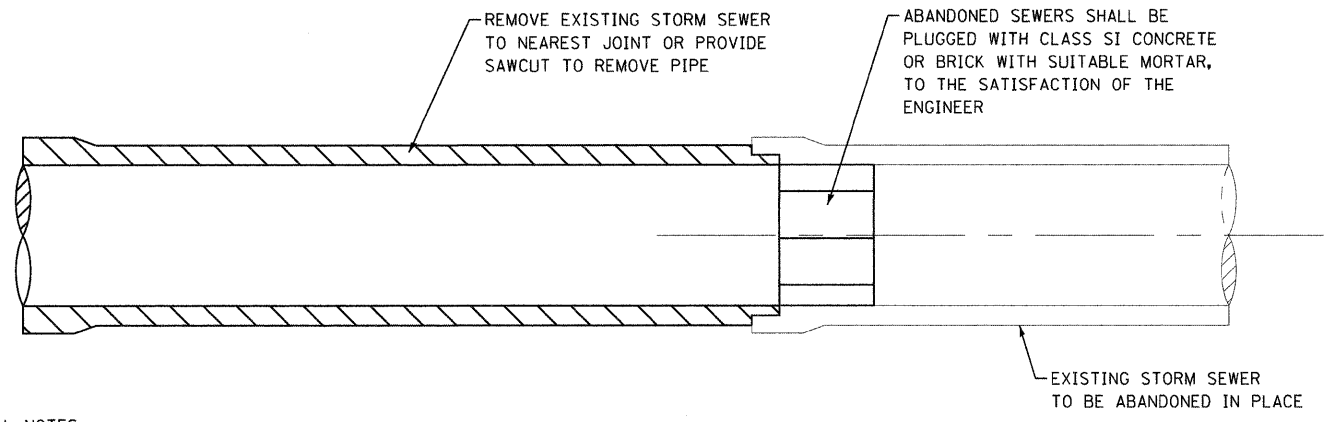


GENERAL NOTES

1. THE WORK SHALL BE CONSTRUCTED IN CONFORMANCE WITH THE APPLICABLE PORTIONS OF SECTION 550 OF THE STANDARD SPECIFICATIONS

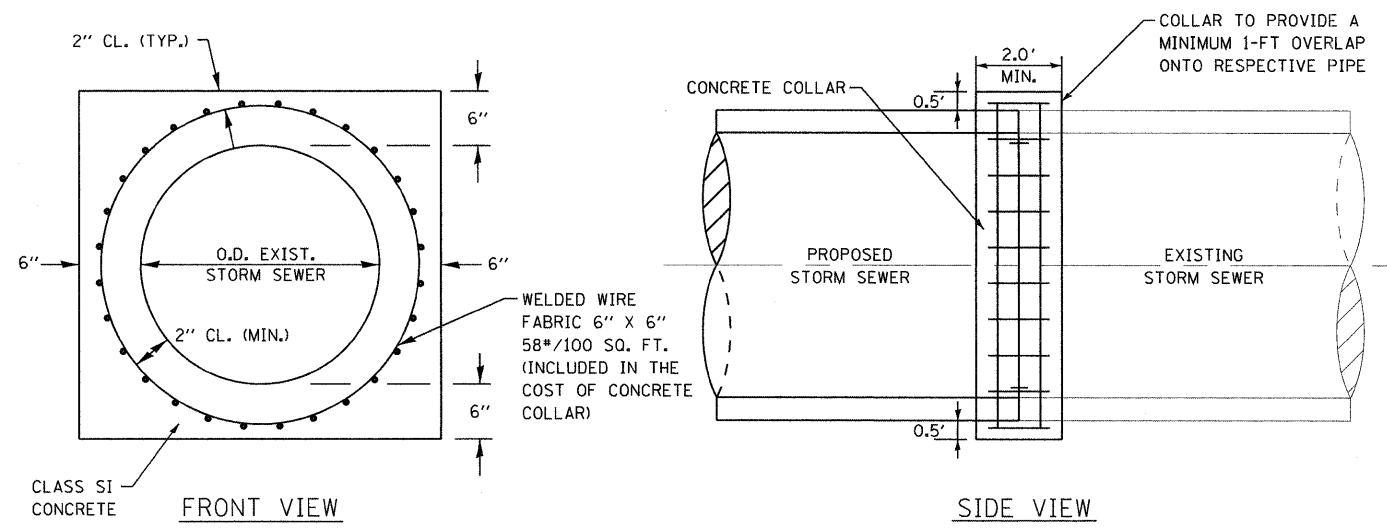
STORM SEWER CONNECTION DETAIL



GENERAL NOTES

1. THE WORK SHALL BE CONSTRUCTED IN CONFORMANCE WITH THE APPLICABLE PORTIONS OF SECTION 550 OF THE STANDARD SPECIFICATIONS
2. IF THE EXISTING SEWER PIPE TO REMAIN IS CRACKED, BROKEN, OR OTHERWISE DAMAGED DURING THE REMOVAL, THE CONTRACTOR SHALL REPLACE THE DAMAGED SECTION OF PIPE WITH PIPE EQUAL AND SIMILAR IN ALL RESPECTS TO THE PIPE IN THE EXISTING SEWER, IN A CAREFUL WORKMANLIKE MANNER WITHOUT ADDITIONAL COMPENSATION.

PIPE REMOVAL AND PLUG DETAIL

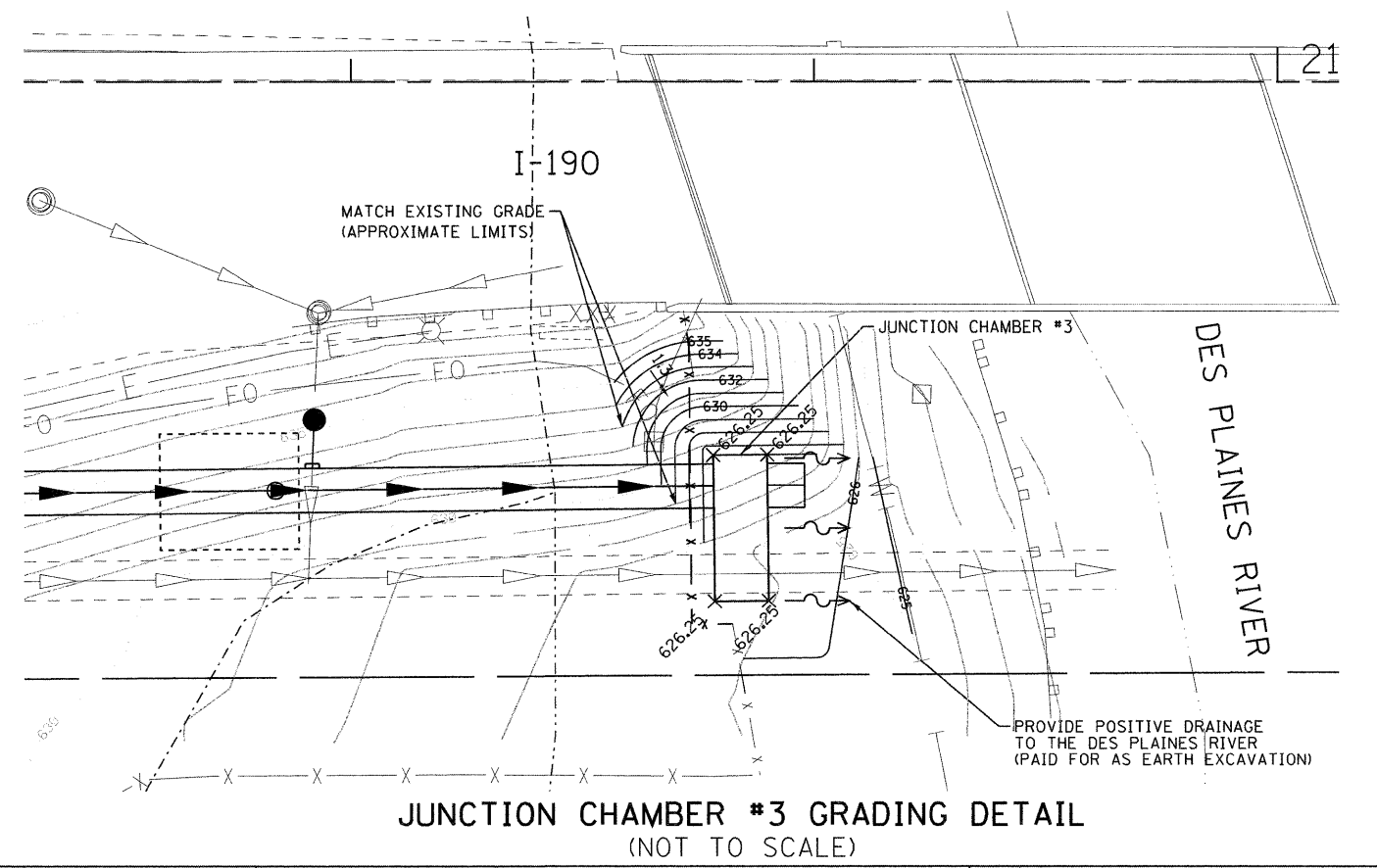


GENERAL NOTES

1. IF THE EXISTING SEWER PIPE IS CRACKED, BROKEN, OR OTHERWISE DAMAGED DURING THE REMOVAL, THE CONTRACTOR SHALL REPLACE THE DAMAGED SECTION OF PIPE WITH PIPE EQUAL AND SIMILAR IN ALL RESPECTS TO THE PIPE IN THE EXISTING SEWER, IN A CAREFUL WORKMANLIKE MANNER WITHOUT ADDITIONAL COMPENSATION.
2. TRENCH BACKFILL AND REMOVAL AND REPLACEMENT OF UNSUITABLE MATERIAL BELOW PLAN BEDDING GRADE WILL BE PAID FOR SEPERATELY.
3. CONCRETE COLLAR SHALL BE FORMED TO PROVIDE A SMOOTH PIPE INTERIOR

INSIDE DIAMETER OF PIPE	ESTIMATED CLASS SI CONCRETE REQUIRED / EACH
INCH	CU YD
72	2.10
84	2.50
96	3.00

CONCRETE COLLAR DETAIL



JUNCTION CHAMBER #3 GRADING DETAIL (NOT TO SCALE)

FILE NAME = g:\projects\2021055_011\road\serv\1\sh\1\1606\90-55\sh\dr-as113.dgn



USER NAME = zbookd	DESIGNED - DJB	REVISED -
PLOT SCALE = 1/80' / IN.	DRAWN - ENTRAN	REVISED -
PLOT DATE = 10/11/2011	CHECKED - DAK	REVISED -
	DATE - 09/07/11	REVISED -

**STATE OF ILLINOIS
DEPARTMENT OF TRANSPORTATION**

**PUMP STATION 24 STORM SEWER IMPROVEMENTS
DRAINAGE DETAILS**

SCALE: 1.00' / IN. SHEET NO. OF SHEETS STA. TO STA.

F.A.I. RTE.	SECTION	COUNTY	TOTAL SHEETS	SHEET NO.
190	0102.5-T	COOK	41	38
CONTRACT NO. 60F90				
FED. ROAD DIST. NO. 1 ILLINOIS FED. AID PROJECT				