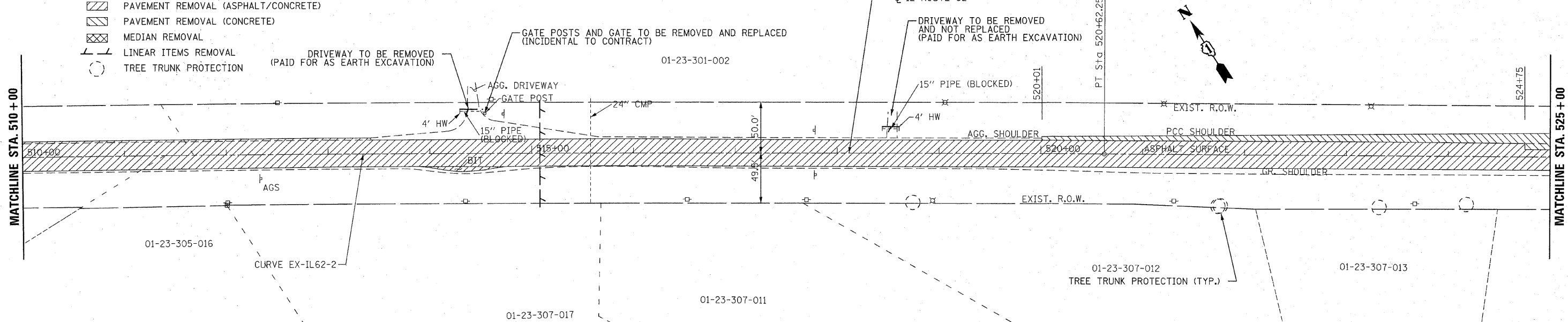


DATE	
BY	
REVISIONS	
1	PLAN
2	PROFILE
3	SECTION
4	COUNTY
5	TOTAL SHEETS
6	SHEET NO.
7	CONTRACT NO.
8	DATE
9	DESIGNED
10	REVISIONS
11	DATE
12	DESIGNED
13	REVISIONS
14	DATE
15	DESIGNED
16	REVISIONS
17	DATE
18	DESIGNED
19	REVISIONS
20	DATE

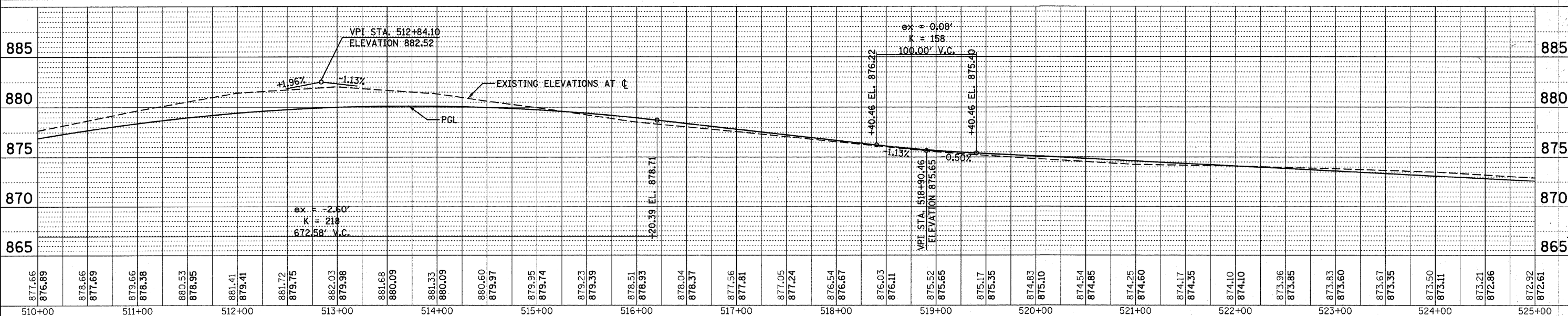
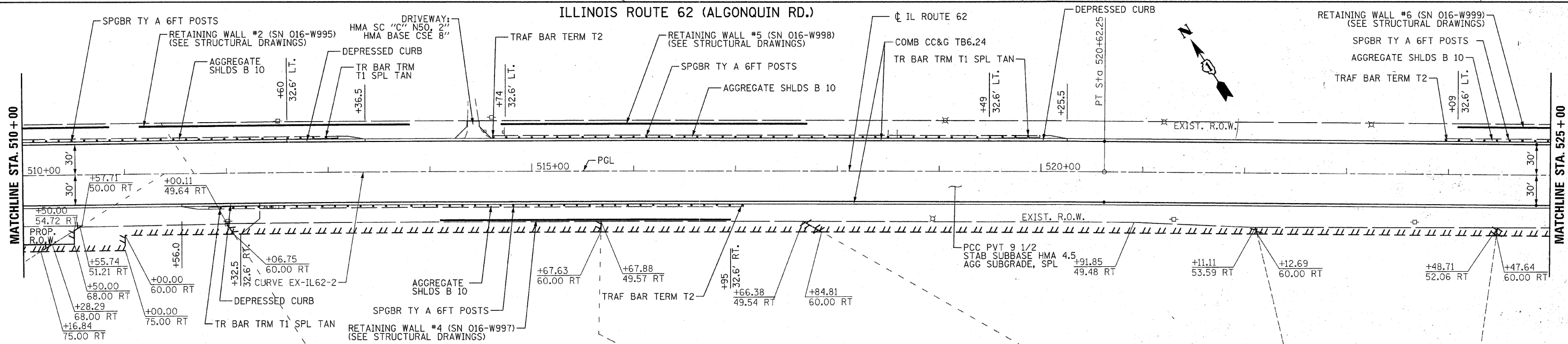
DATE	
BY	
REVISIONS	
1	PLAN
2	PROFILE
3	SECTION
4	COUNTY
5	TOTAL SHEETS
6	SHEET NO.
7	CONTRACT NO.
8	DATE
9	DESIGNED
10	REVISIONS
11	DATE
12	DESIGNED
13	REVISIONS
14	DATE
15	DESIGNED
16	REVISIONS
17	DATE
18	DESIGNED
19	REVISIONS
20	DATE

- LEGEND:**
- PAVEMENT REMOVAL (ASPHALT/CONCRETE)
 - PAVEMENT REMOVAL (CONCRETE)
 - MEDIAN REMOVAL
 - LINEAR ITEMS REMOVAL
 - TREE TRUNK PROTECTION

ILLINOIS ROUTE 62 (ALGONQUIN RD.)



ILLINOIS ROUTE 62 (ALGONQUIN RD.)



877.66	876.89	878.66	877.69	879.66	878.38	880.53	878.95	881.41	879.41	881.72	879.75	882.03	879.98	881.68	880.09	881.33	880.09	880.60	879.97	879.95	879.74	879.23	879.39	878.51	878.93	878.04	878.37	877.56	877.81	877.05	877.24	876.54	876.67	876.03	876.11	875.52	875.65	875.17	875.35	874.83	875.10	874.54	874.85	874.25	874.60	874.17	874.35	874.10	874.10	873.96	873.85	873.83	873.60	873.67	873.35	873.50	873.11	873.21	872.86	872.92	872.61
510+00	511+00	512+00	513+00	514+00	515+00	516+00	517+00	518+00	519+00	520+00	521+00	522+00	523+00	524+00	525+00																																														

FILE NAME = ...ND168135-sht-plan_04.dgn

Primera
DESIGNED RJD
REVISIONS - ADW; 9/28/11
DRAWN ADW
REVISIONS -
CHECKED TWL
REVISIONS -
DATE JUNE 30, 2011
REVISIONS -

STATE OF ILLINOIS
DEPARTMENT OF TRANSPORTATION

IL RTE 62 (ALGONQUIN RD.) FROM EASTING'S WAY TO PENNY RD.
EXISTING & PROPOSED PLAN AND PROFILE

SCALE: 1"=50' SHEET NO. 4 OF 5 SHEETS STA. 510+00 TO STA. 525+00

F.A.P. RTE. 339	SECTION 116 Y-1-R-1	COUNTY COOK	TOTAL SHEETS 122	SHEET NO. 15
CONTRACT NO. 60135				
ILLINOIS FED. AID PROJECT				