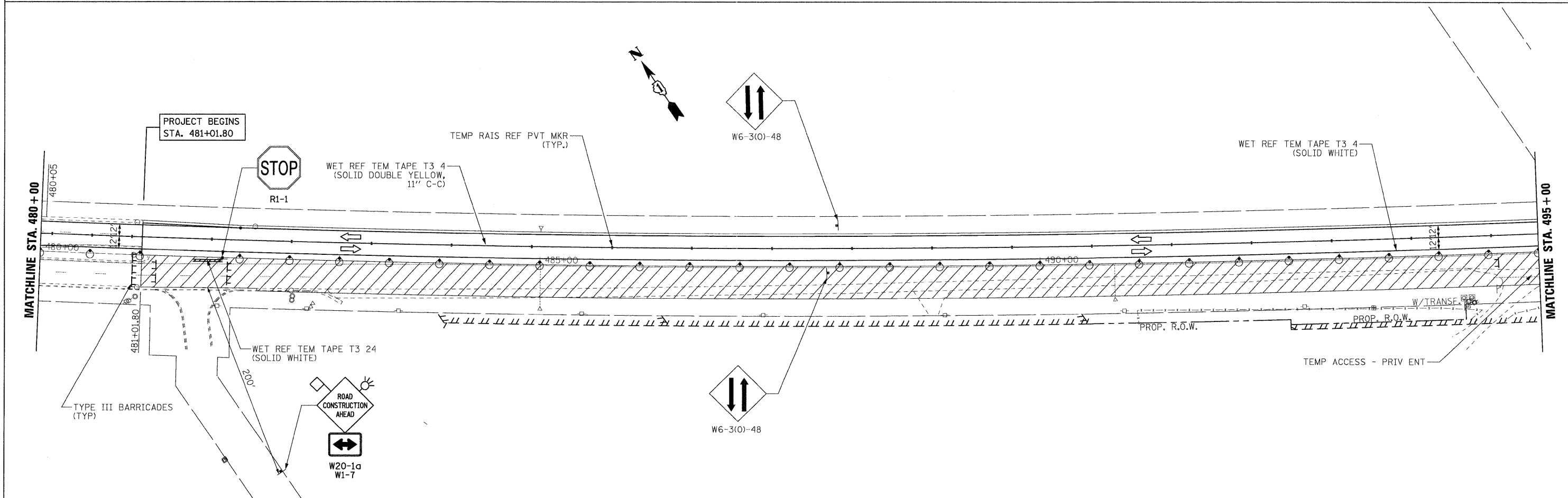
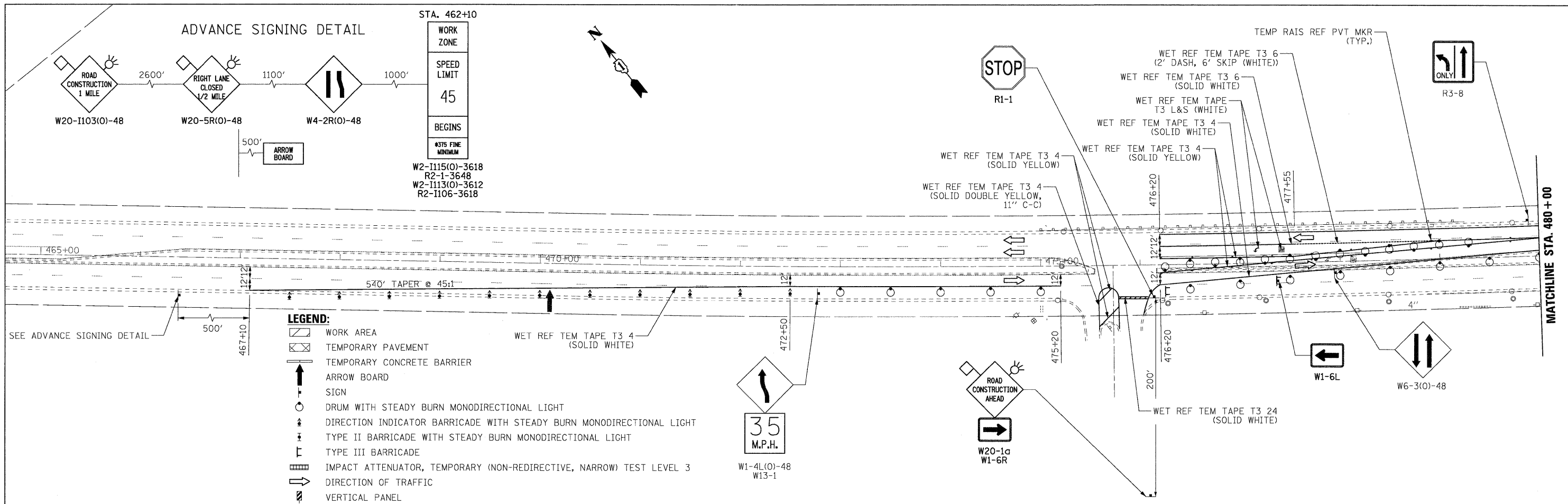


DATE	
BY	
PLAN	
NO.	
NO.	
NO.	
NO.	
NO.	
NO.	
NO.	

DATE	
BY	
PLAN	
NO.	
NO.	
NO.	
NO.	
NO.	
NO.	
NO.	



FILE NAME = ...\\D160135-sht-staging2_01.dgn



DESIGNED	ADW	REVISED	-
DRAWN	ADW	REVISED	-
CHECKED	RJD	REVISED	-
DATE	JUNE 30, 2011	REVISED	-

**STATE OF ILLINOIS
DEPARTMENT OF TRANSPORTATION**

**IL RTE 62 (ALGONQUIN RD.) FROM EASTING'S WAY TO PENNY RD.
SUGGESTED STAGE OF CONSTRUCTION & TRAFFIC CONTROL - STAGE 2**

SCALE: 1"=50' SHEET NO. 4 OF 6 SHEETS STA. 465+00 TO STA. 495+00

F.A.P. RTE.	SECTION	COUNTY	TOTAL SHEETS	SHEET NO.
339	116 Y-1-R-1	COOK	122	22
CONTRACT NO. 60I35				
ILLINOIS FED. AID PROJECT				