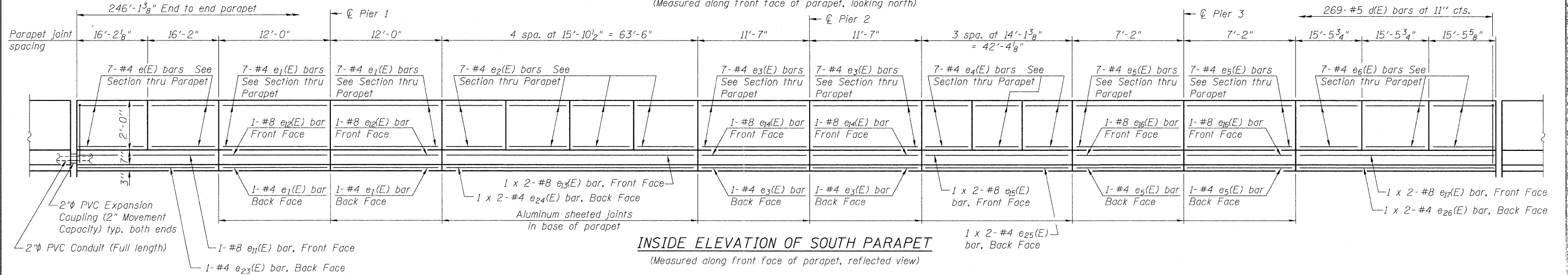
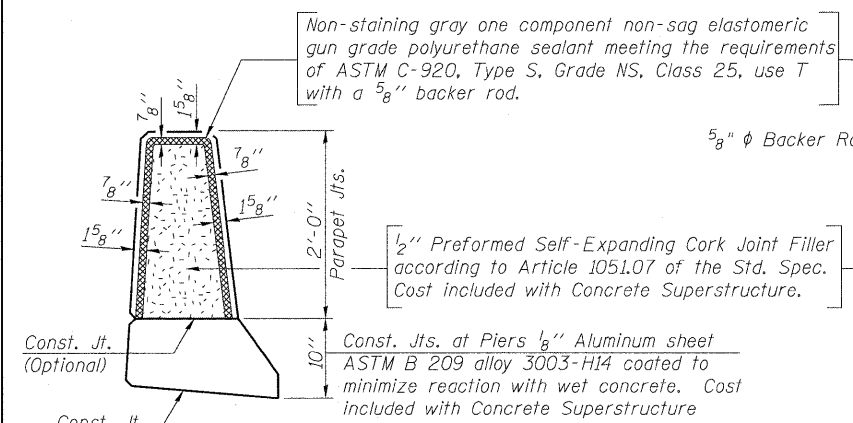


INSIDE ELEVATION OF NORTH PARAPET
(Measured along front face of parapet, looking north)

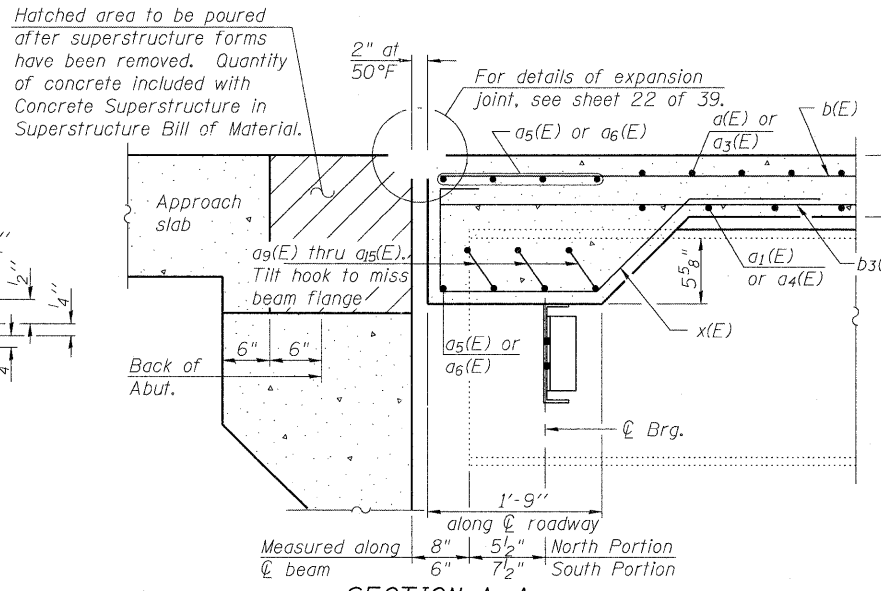


INSIDE ELEVATION OF SOUTH PARAPET
(Measured along front face of parapet, reflected view)

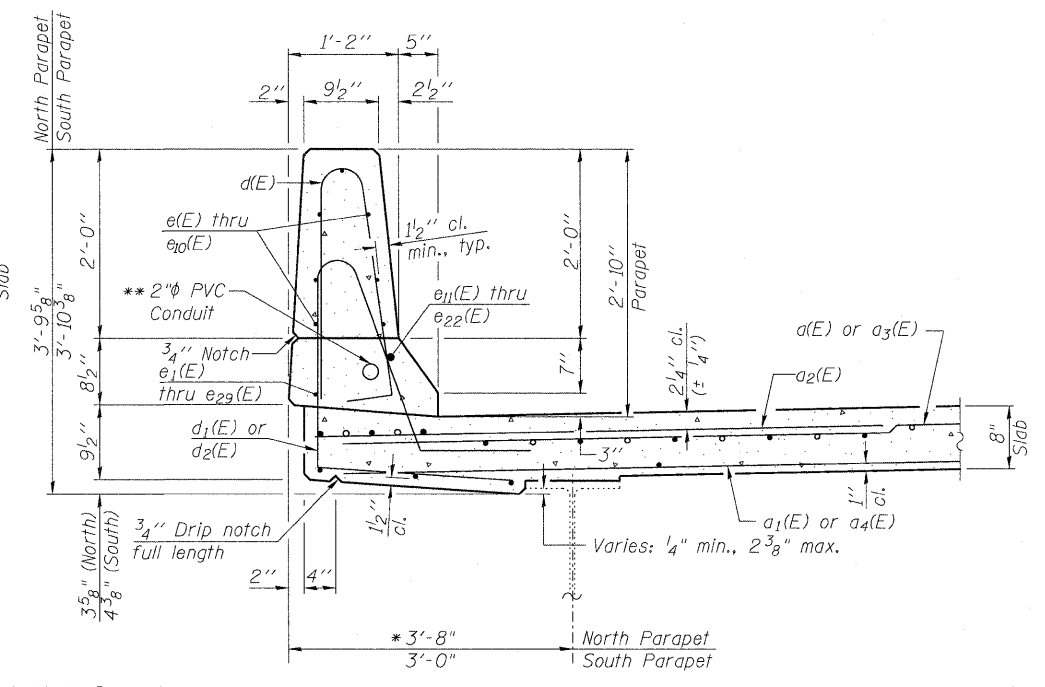
MINIMUM BAR LAP
(Parapet)
#4 bar = 2'-0"
#8 bar = 5'-2"



PARAPET JOINT DETAILS



SECTION A-A



SECTION THRU PARAPET
* Measured at right angles to beam

(Sheet 1 of 3)

LIN ENGINEERING, LTD. Consulting Engineers Chatham, Illinois	USER NAME =	DESIGNED - MTH	REVISED -	STATE OF ILLINOIS DEPARTMENT OF TRANSPORTATION	SUPERSTRUCTURE DETAILS STRUCTURE NO. 045-0037 SHEET NO. 15 OF 39 SHEETS	F.A.P. RTE. =	SECTION	COUNTY	TOTAL SHEETS	SHEET NO.
	FILE NAME =	CHECKED - ADB	REVISED -			573	61HB-1-R	KANE	110	65
	PLOT SCALE =	DRAWN - AJF	REVISED -			CONTRACT NO. 60K76				
	PLOT DATE =	CHECKED - MTH	REVISED -			ILLINOIS FED. AID PROJECT				