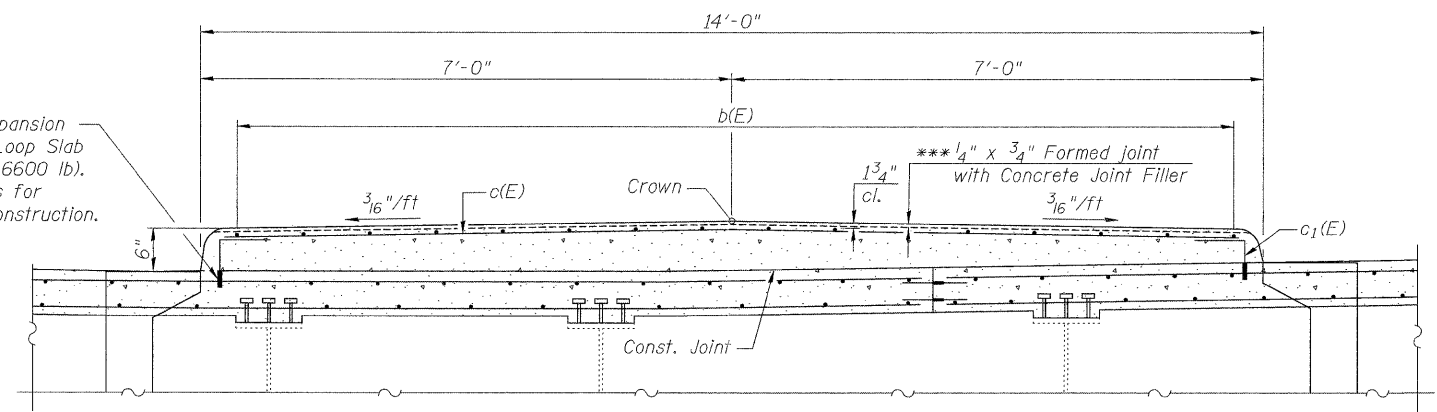


MEDIAN PLAN



SECTION B-B

MIN. BAR LAP  
#5 Bar = 2'-7"

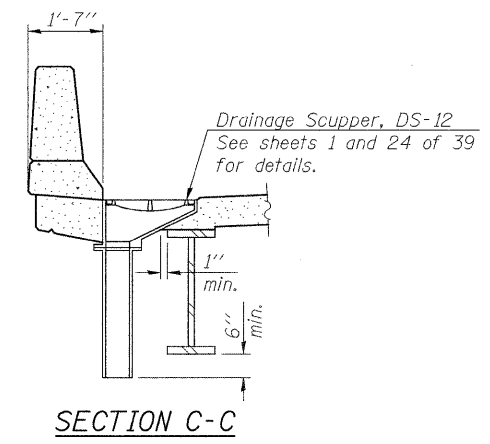
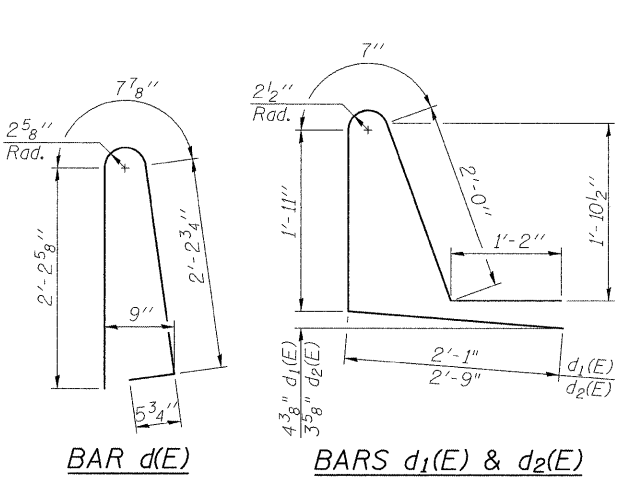
\* Order c(E) bars full length. Cut to fit skew and use remainder of bars in opposite end.  
\*\* The cost of expansion anchors/inserts is included in the cost of Reinforcement Bars, Epoxy Coated.  
\*\*\* Full width - backer rod not required.

\*\*\* 3/4" φ Galvanized expansion anchor or Ferrule Loop Slab Insert (Proof Load 6600 lb). Provide plastic caps for protection during construction.

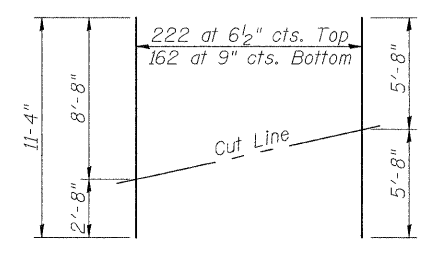
**SUPERSTRUCTURE  
BILL OF MATERIAL**

| Bar                              | No.  | Size    | Length  | Shape |
|----------------------------------|------|---------|---------|-------|
| a(E)                             | 454  | #5      | 39'-6"  | —     |
| a1(E)                            | 328  | #5      | 39'-2"  | —     |
| a2(E)                            | 448  | #6      | 6'-6"   | —     |
| a3(E)                            | 454  | #5      | 43'-2"  | —     |
| a4(E)                            | 328  | #5      | 42'-10" | —     |
| a5(E)                            | 20   | #6      | 30'-3"  | —     |
| a6(E)                            | 10   | #6      | 43'-2"  | —     |
| a7(E)                            | 128  | #5      | 1'-6"   | —     |
| a8(E)                            | 8    | #5      | 2'-0"   | —     |
| a9(E)                            | 30   | #6      | 9'-3"   | ⌋     |
| a10(E)                           | 6    | #6      | 6'-11"  | ⌋     |
| a11(E)                           | 18   | #6      | 9'-1"   | ⌋     |
| a12(E)                           | 6    | #6      | 10'-2"  | ⌋     |
| a13(E)                           | 6    | #6      | 6'-7"   | ⌋     |
| a14(E)                           | 6    | #6      | 2'-9"   | ⌋     |
| a15(E)                           | 6    | #6      | 6'-3"   | ⌋     |
| a16(E)                           | 384  | #5      | 11'-4"  | —     |
| b(E)                             | 1050 | #5      | 26'-11" | —     |
| b1(E)                            | 178  | #6      | 39'-0"  | —     |
| b2(E)                            | 84   | #6      | 19'-0"  | —     |
| b3(E)                            | 792  | #5      | 29'-8"  | —     |
| c(E)                             | 247  | #5      | 13'-6"  | —     |
| c1(E)                            | 494  | #5      | 1'-4"   | ⌋     |
| c2(E)                            | 2    | #5      | 15'-10" | ⌋     |
| d(E)                             | 534  | #5      | 5'-7"   | ⌋     |
| d1(E)                            | 269  | #5      | 7'-9"   | ⌋     |
| d2(E)                            | 265  | #5      | 8'-5"   | ⌋     |
| e(E)                             | 42   | #4      | 15'-10" | —     |
| e1(E)                            | 16   | #4      | 11'-8"  | —     |
| e2(E)                            | 28   | #4      | 15'-7"  | —     |
| e3(E)                            | 16   | #4      | 11'-3"  | —     |
| e4(E)                            | 42   | #4      | 13'-10" | —     |
| e5(E)                            | 32   | #4      | 6'-10"  | —     |
| e6(E)                            | 21   | #4      | 15'-2"  | —     |
| e7(E)                            | 14   | #4      | 16'-2"  | —     |
| e8(E)                            | 16   | #4      | 10'-6"  | —     |
| e9(E)                            | 16   | #4      | 10'-4"  | —     |
| e10(E)                           | 21   | #4      | 14'-11" | —     |
| e11(E)                           | 1    | #8      | 32'-1"  | —     |
| e12(E)                           | 2    | #8      | 11'-8"  | —     |
| e13(E)                           | 2    | #8      | 34'-4"  | —     |
| e14(E)                           | 2    | #8      | 11'-3"  | —     |
| e15(E)                           | 4    | #8      | 23'-9"  | —     |
| e16(E)                           | 4    | #8      | 6'-10"  | —     |
| e17(E)                           | 2    | #8      | 25'-9"  | —     |
| e18(E)                           | 1    | #8      | 32'-7"  | —     |
| e19(E)                           | 2    | #8      | 10'-6"  | —     |
| e20(E)                           | 2    | #8      | 34'-8"  | —     |
| e21(E)                           | 2    | #8      | 10'-4"  | —     |
| e22(E)                           | 2    | #8      | 25'-5"  | —     |
| e23(E)                           | 1    | #4      | 32'-1"  | —     |
| e24(E)                           | 2    | #4      | 32'-9"  | —     |
| e25(E)                           | 4    | #4      | 22'-2"  | —     |
| e26(E)                           | 2    | #4      | 24'-2"  | —     |
| e27(E)                           | 1    | #4      | 32'-7"  | —     |
| e28(E)                           | 2    | #4      | 33'-1"  | —     |
| e29(E)                           | 2    | #4      | 23'-10" | —     |
| x(E)                             | 164  | #5      | 6'-5"   | ⌋     |
| Reinforcement Bars, Epoxy Coated |      | Pound   | 162500  |       |
| Concrete Superstructure          |      | Cu. Yd. | 699.6   |       |

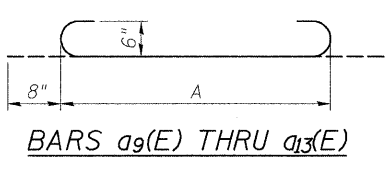
Bars indicated thus 1 x 2-#8 etc. indicates 1 line of bars with 2 lengths per line.



SECTION C-C

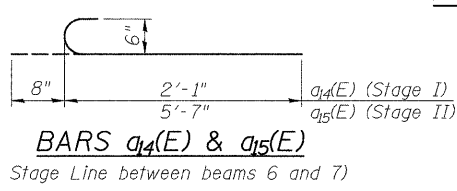


FIELD CUTTING DIAGRAM FOR a6(E) BAR



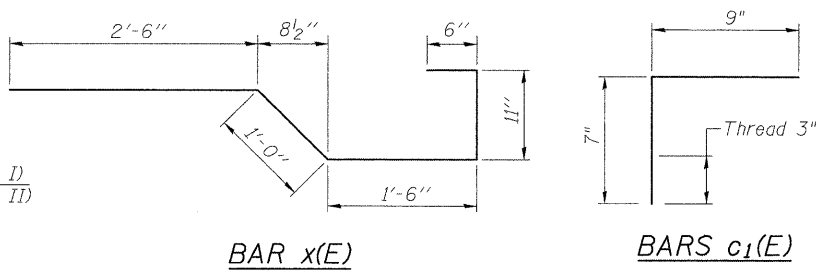
BARS a9(E) THRU a13(E)

| Location            | Bar    | A      |
|---------------------|--------|--------|
| Bms. 1 thru 6       | a9(E)  | 7'-11" |
| Bms. 7 thru 8       | a10(E) | 5'-7"  |
| Bms. 8 thru 11      | a11(E) | 7'-9"  |
| Bms. 11 thru 13 (W) | a12(E) | 8'-10" |
| Bms. 11 thru 13 (E) | a13(E) | 5'-3"  |



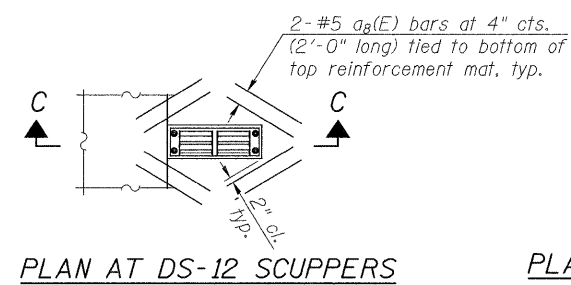
BARS a14(E) & a15(E)

(At Stage Line between beams 6 and 7)

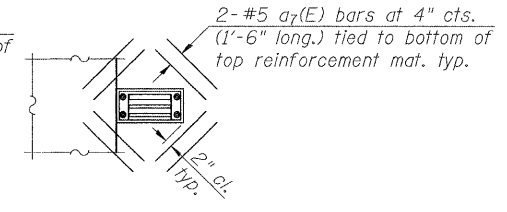


BAR x(E)

BARS c1(E)



PLAN AT DS-12 SCUPPERS



PLAN AT DS-11 SCUPPERS

Note: Cut longitudinal reinforcement to clear drainage scuppers.

(Sheet 2 of 3)



USER NAME =  
FILE NAME =  
PLOT SCALE =  
PLOT DATE =

DESIGNED - MTH  
CHECKED - ADB  
DRAWN - AJF  
CHECKED - MTH

REVISED -  
REVISED -  
REVISED -  
REVISED -

STATE OF ILLINOIS  
DEPARTMENT OF TRANSPORTATION

SUPERSTRUCTURE DETAILS  
STRUCTURE NO. 045-0037

SHEET NO. 16 OF 39 SHEETS

| F.A.P. RTE. | SECTION  | COUNTY | TOTAL SHEETS | SHEET NO. |
|-------------|----------|--------|--------------|-----------|
| 573         | 61HB-1-R | KANE   | 66           | 66        |

CONTRACT NO. 60K76  
ILLINOIS FED. AID PROJECT