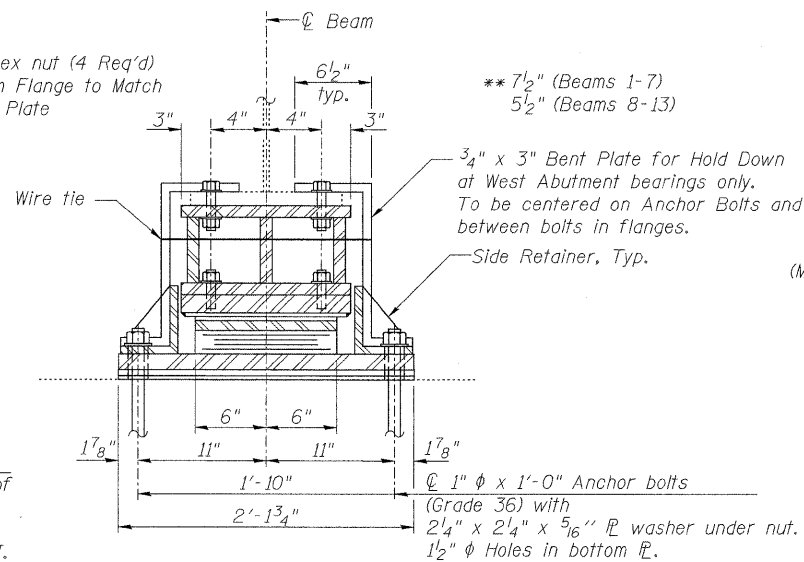
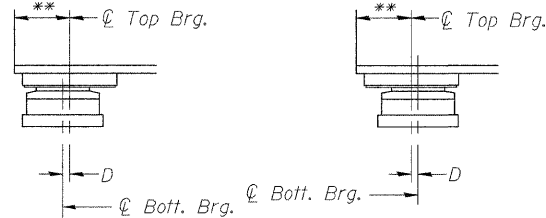


TYPE II ELASTOMERIC EXP. BRG.
(Both Abutments)



SECTION A-A

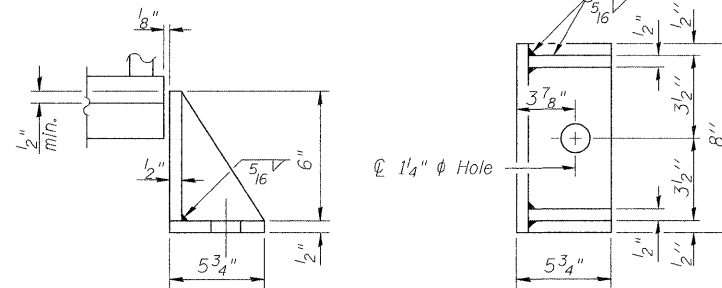


BELOW 50°F. (Move bott. brg. away from fixed brg.)

ABOVE 50°F. (Move bott. brg. toward fixed brg.)

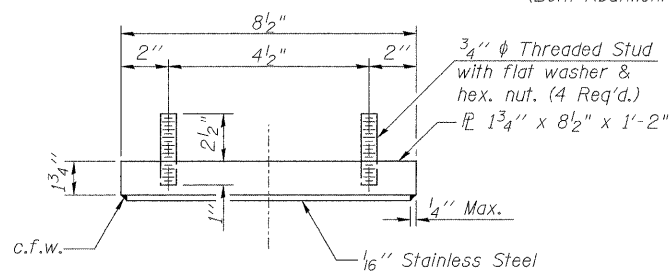
SETTING ANCHOR BOLTS AT EXP. BRG.

D = 1/8" per each 100' of expansion for every 15° temp. change from the normal temp. of 50°F.

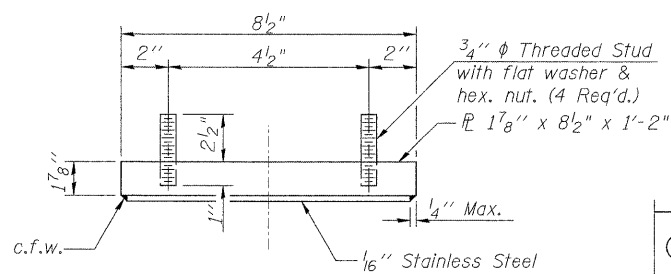


SIDE RETAINER

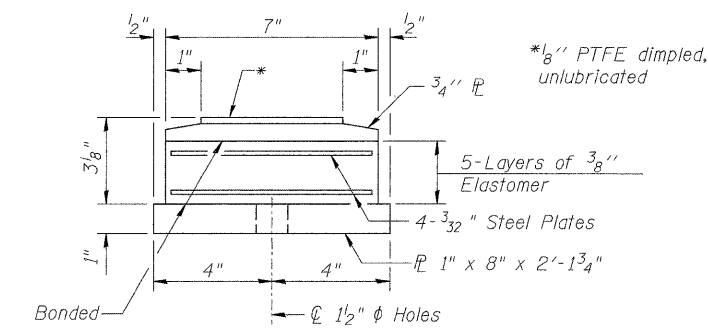
Equivalent rolled angle with stiffeners will be allowed in lieu of welded plates.



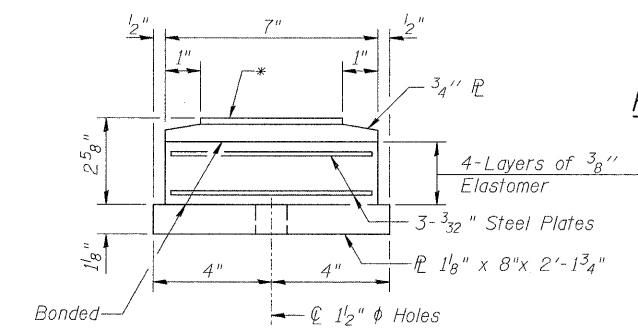
TOP BEARING ASSEMBLY - W. ABUT.



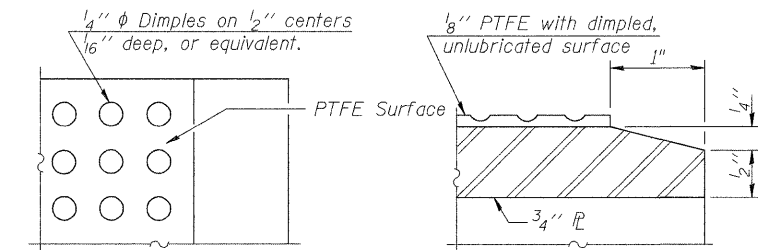
TOP BEARING ASSEMBLY - E. ABUT.



BOTTOM BEARING ASSEMBLY - W. ABUT.



BOTTOM BEARING ASSEMBLY - E. ABUT.

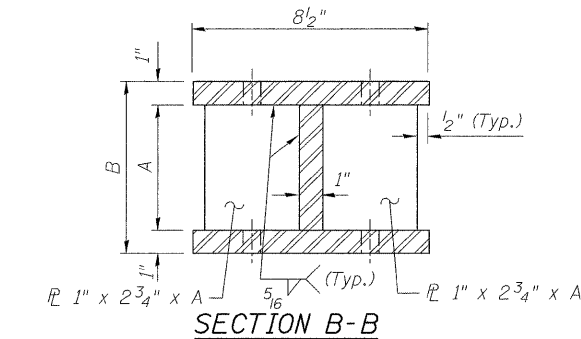


PLAN-PTFE SURFACE

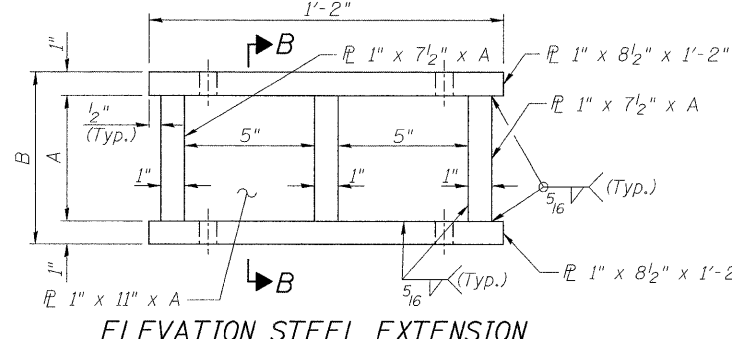
SECTION THRU PTFE

BILL OF MATERIAL

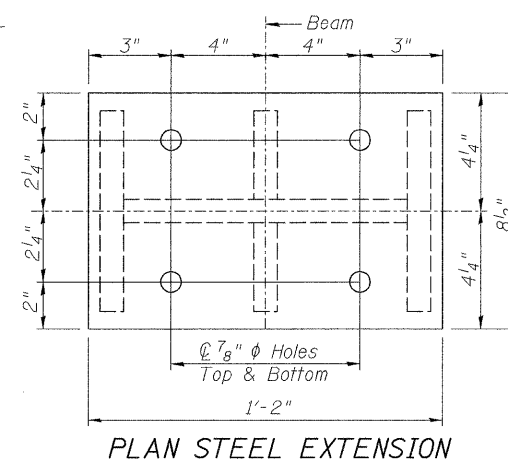
Item	Unit	Total
Elastomeric Bearing Assembly Type II	Each	26
Anchor Bolts, 1"	Each	52
Furnishing and Erecting Structural Steel	Pound	3650



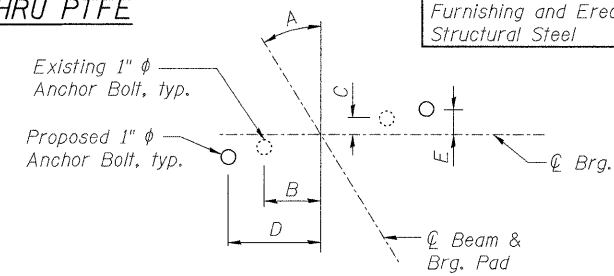
SECTION B-B



ELEVATION STEEL EXTENSION



PLAN STEEL EXTENSION



ANCHOR BOLT LOCATION

Beams	1 thru 7	8 thru 11	12	13
A	31°-30'-10"	31°-30'-10"	30°-47'-29"	30°-04'-09"
B	7 1/4"	7 1/2"	7 1/2"	7 5/8"
C	4 1/2"	4 5/8"	4 1/2"	4 3/8"
D	9 3/8"	9 3/8"	9 1/2"	9 1/2"
E	5 3/4"	5 3/4"	5 5/8"	5 1/2"

STEEL EXTENSION DIMENSIONS

East Abutment													
	Beam 1	Beam 2	Beam 3	Beam 4	Beam 5	Beam 6	Beam 7	Beam 8	Beam 9	Beam 10	Beam 11	Beam 12	Beam 13
A	6 1/8"	6 3/4"	6 5/8"	6 5/8"	7 1/8"	5 1/8"	5 1/8"	8 1/8"	7 3/4"	9"	9"	8 1/2"	8 1/8"
B	8 7/8"	8 3/4"	8 5/8"	8 5/8"	9 1/8"	7 7/8"	7 1/8"	10 1/8"	9 3/4"	11"	11"	10 1/2"	10 1/8"
West Abutment													
A	7 3/8"	6 3/4"	7 1/4"	6 5/8"	7 3/8"	6 3/4"	4 1/2"	8 3/8"	7 1/8"	8 5/8"	9 1/8"	8 3/4"	8 1/2"
B	9 3/8"	8 3/4"	9 1/4"	8 5/8"	9 3/8"	8 3/4"	6 1/8"	10 3/8"	9 1/8"	10 3/8"	11 1/8"	10 3/4"	10 1/2"