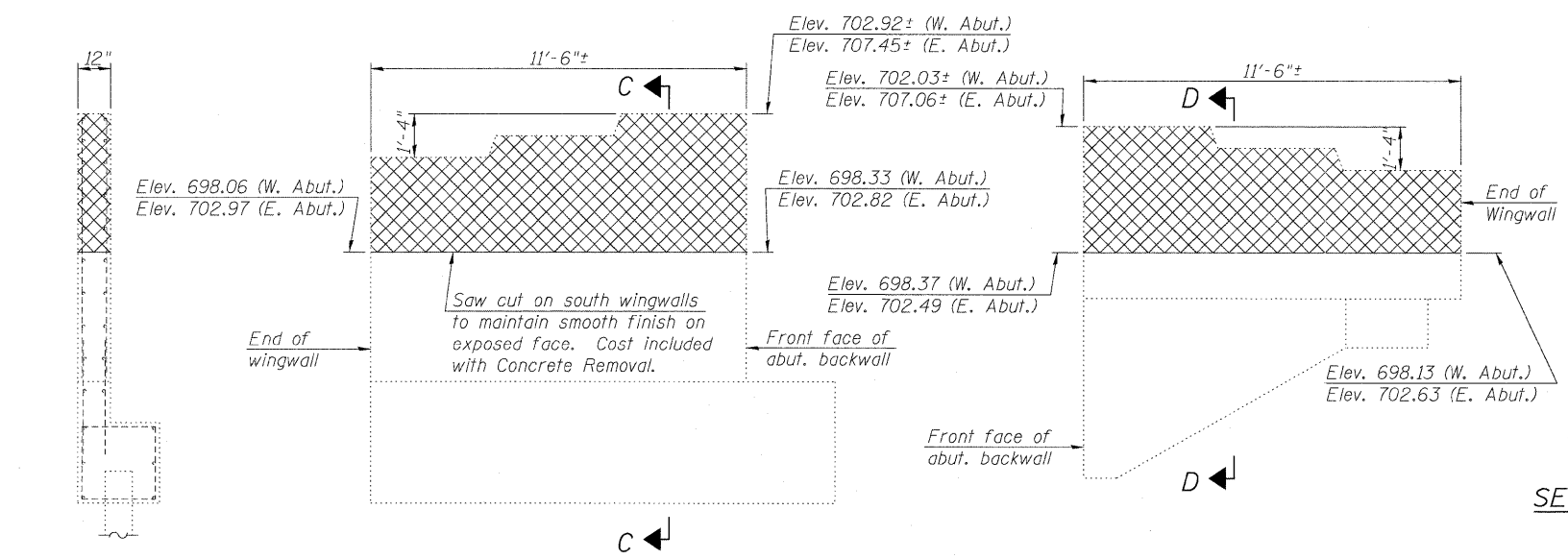


- Notes:
- Existing reinforcement bars extending into concrete removal areas shall be cleaned, straightened and incorporated into new concrete, in accordance with IDOT Standard Specifications Article 501.03. Cost included in "Concrete Removal".
 - Any reinforcement bars that are damaged during concrete removal operations shall be repaired or replaced using an approved bar splicer or anchorage system, in accordance with IDOT Standard Specifications Article 501.03. Cost included in "Concrete Removal".
 - See Roadway plans for Approach Slab Removal pay item.
 - Cross Hatched areas indicate limits of Concrete Removal.

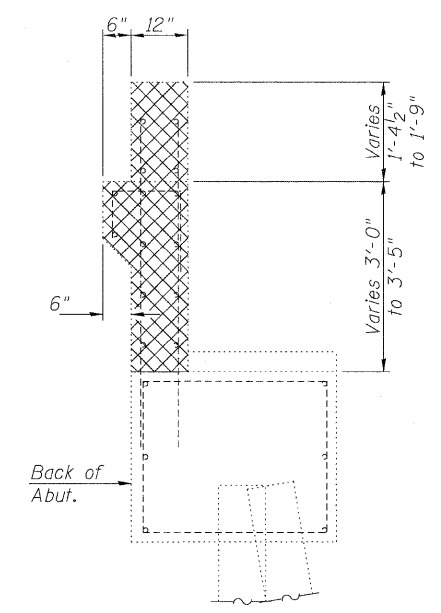


SECTION C-C

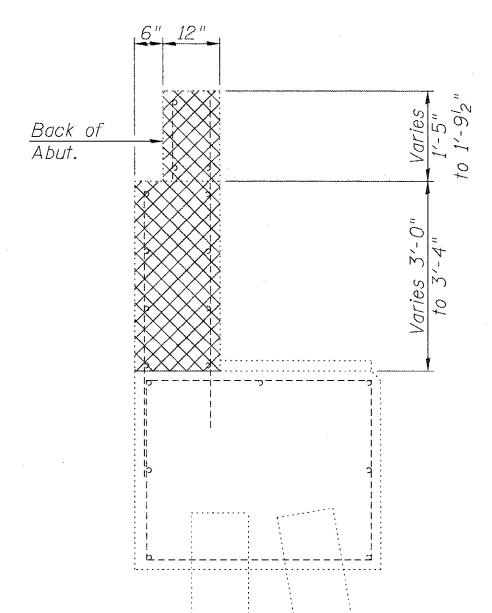
SOUTH WINGWALLS
(Dimensions along face of wingwall)

NORTH WINGWALLS
(Dimensions along face of wingwall)

SECTION D-D



SECTION A-A
(North Portion)



SECTION B-B
(South Portion)

BILL OF MATERIAL

Item	Unit	Quantity
Concrete Removal	Cu. Yd.	52.1



USER NAME =	DESIGNED - MTH	REVISED -
FILE NAME =	CHECKED - ADB	REVISED -
PLOT SCALE =	DRAWN - AJF	REVISED -
PLOT DATE =	CHECKED - MTH	REVISED -

STATE OF ILLINOIS
DEPARTMENT OF TRANSPORTATION

CONCRETE REMOVAL DETAILS
STRUCTURE NO. 045-0037

SHEET NO. 32 OF 39 SHEETS

F.A.P. RTE.	SECTION	COUNTY	TOTAL SHEETS	SHEET NO.
573	61HB-1-R	KANE	110	82
CONTRACT NO. 60K76			ILLINOIS FED. AID PROJECT	