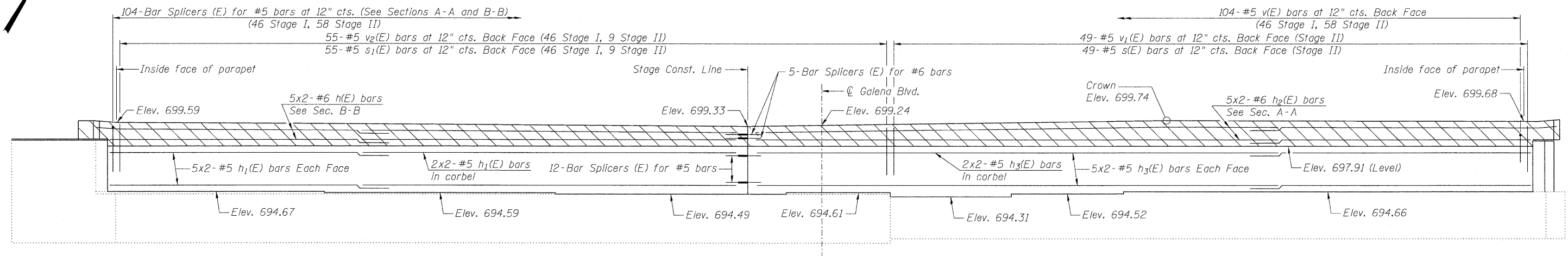


PLAN - WEST ABUTMENT



ELEVATION - WEST ABUTMENT

LEGEND

- Structural Repair of Concrete (Depth equal to or less than 5 in.)
- sf Square Feet

MIN. BAR LAP
 #5 Bar = 2'-6"
 #6 Bar = 3'-0"

Notes:
 Existing reinforcement shall be cleaned and incorporated into the new construction. Cost included with Concrete Removal.
 Hatched area to be poured after superstructure false work has been removed. Quantity of concrete included with Concrete Superstructure.
 See sheet 35 of 39 for Section A-A and B-B, wingwall details and Bill of Material.
 Bars indicated thus 4x2-#5 etc. indicates 4 lines of bars with 2 lengths per line.
 Repair of the existing abutment cap shall include but may not be limited to the areas shown. The actual area to be repaired will be determined by the Engineer at the time of construction.
 See Sheet 18 of 39 for median details.

USER NAME =	DESIGNED - MTH	REVISED -
FILE NAME =	CHECKED - ADB	REVISED -
PLOT SCALE =	DRAWN - AJF	REVISED -
PLOT DATE =	CHECKED - MTH	REVISED -

F.A.P. RTE.	SECTION	COUNTY	TOTAL SHEETS	SHEET NO.
573	6IHB-1-R	KANE	110	83
CONTRACT NO. 60K76			ILLINOIS FED. AID PROJECT	