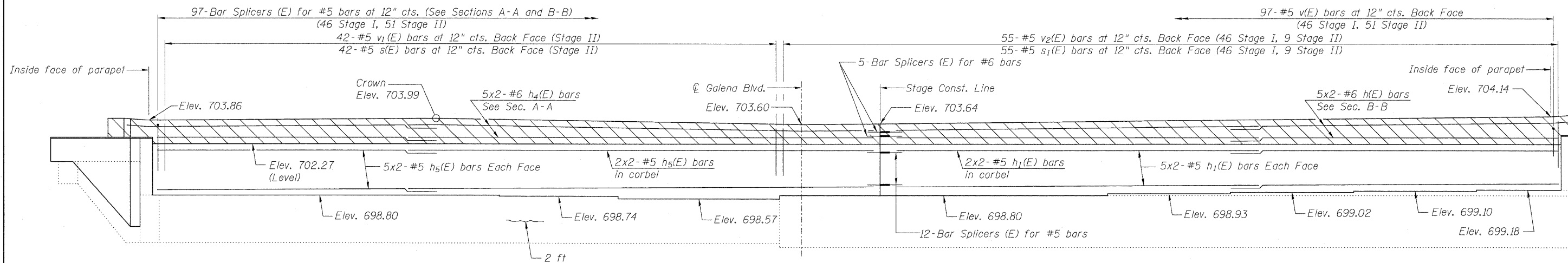


PLAN - EAST ABUTMENT



ELEVATION - EAST ABUTMENT

LEGEND

~ Epoxy Crack Injection

MIN. BAR LAP

#5 Bar = 2'-6"
#6 Bar = 3'-0"

Notes:

Existing reinforcement shall be cleaned and incorporated into the new construction. Cost included with Concrete Removal.
Hatched area to be poured after superstructure false work has been removed. Quantity of concrete included with Concrete Superstructure.
See sheet 35 of 39 for Section A-A and B-B, wingwall details and Bill of Material.
Bars indicated thus 4x2-#5 etc. indicates 4 lines of bars with 2 lengths per line.
Repair of the existing abutment cap shall include but may not be limited to the areas shown. The actual area to be repaired will be determined by the Engineer at the time of construction.
See Sheet 18 of 39 for median details.



USER NAME =	DESIGNED - MTH	REVISED -
FILE NAME =	CHECKED - ADB	REVISED -
PLOT SCALE =	DRAWN - AJF	REVISED -
PLOT DATE =	CHECKED - MTH	REVISED -

STATE OF ILLINOIS
DEPARTMENT OF TRANSPORTATION

EAST ABUTMENT DETAILS
STRUCTURE NO. 045-0037

SHEET NO. 34 OF 39 SHEETS

F.A.P. RTE.	SECTION	COUNTY	TOTAL SHEETS	SHEET NO.
573	61HB-1-R	KANE	110	84
			CONTRACT NO. 60K76	
ILLINOIS FED. AID PROJECT				