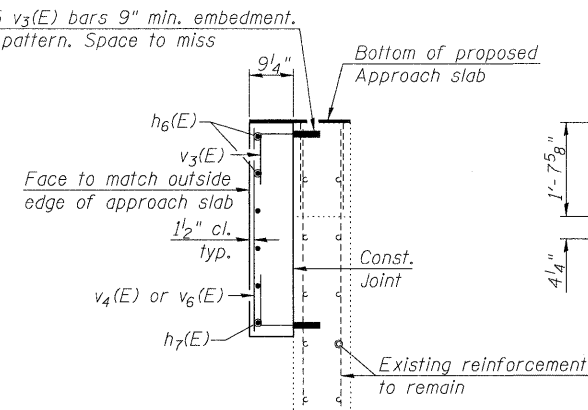
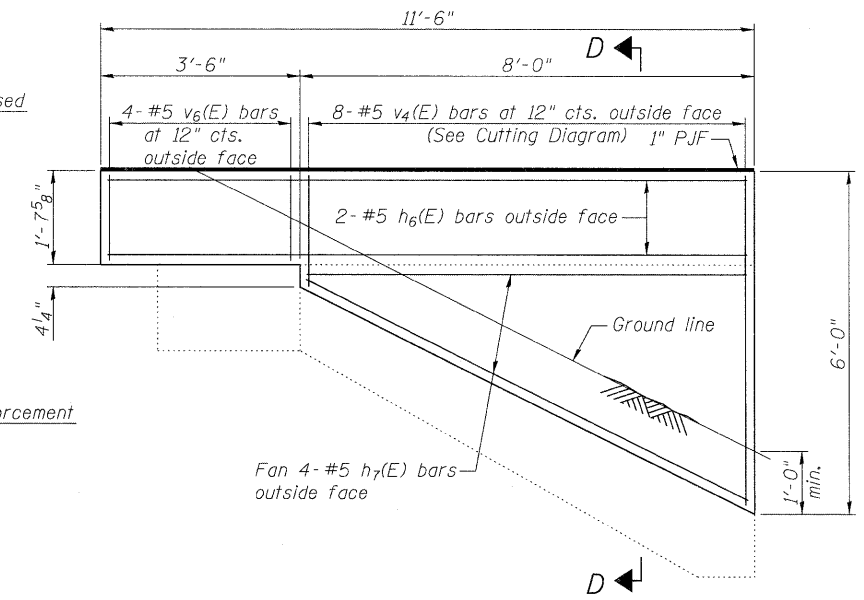


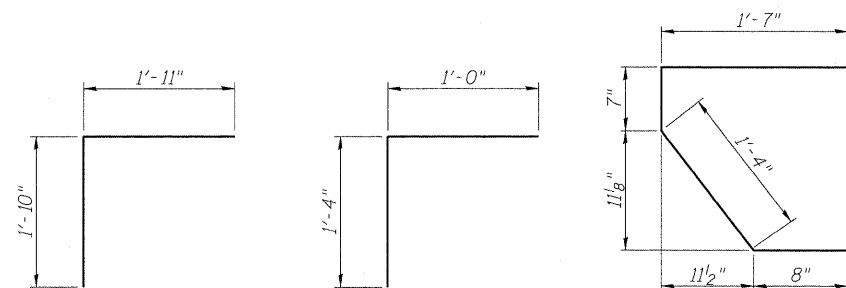
SECTION C-C



SECTION D-D



NORTHEAST WINGWALL

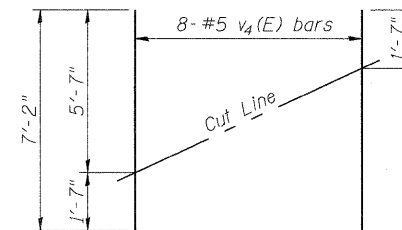


BAR v(E)

BAR v3(E)

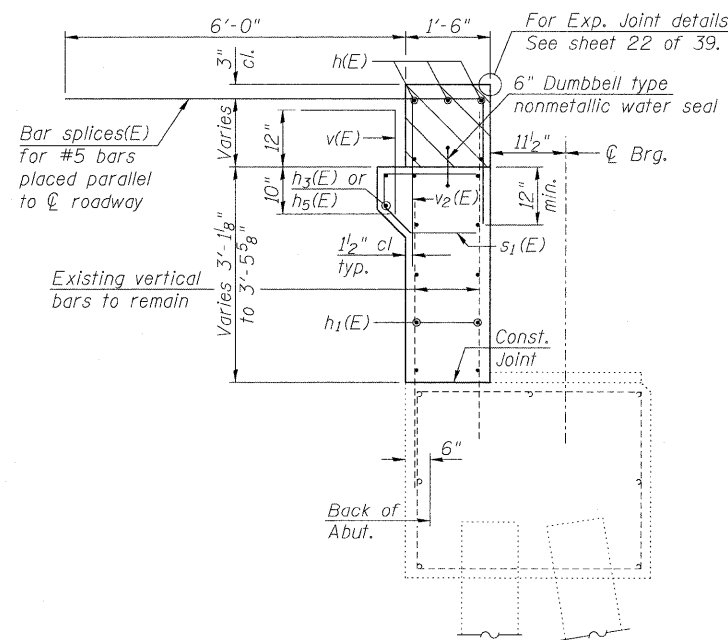
BAR s(E)

BAR s1(E)

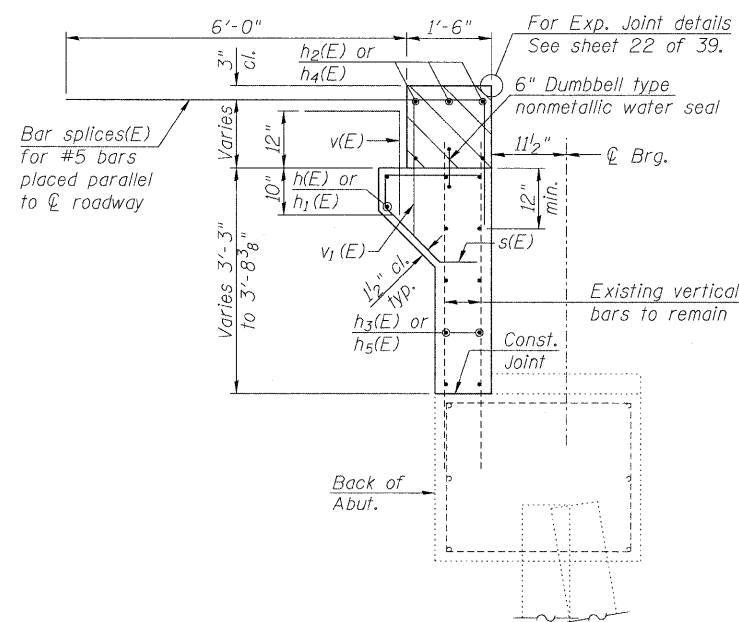


FIELD CUTTING DIAGRAM

Order v4(E) full length. Cut as shown and use remainder in other wingwall.



SECTION B-B  
(Dimensions at Right Angles)



SECTION A-A  
(Dimensions at Right Angles)

WEST ABUTMENT  
BILL OF MATERIAL

Bar	No.	Size	Length	Shape
h(E)	10	#6	25'-0"	—
h1(E)	24	#5	24'-0"	—
h2(E)	10	#6	30'-6"	—
h3(E)	24	#5	29'-9"	—
h6(E)	2	#5	11'-2"	—
h7(E)	4	#5	7'-9"	—
s(E)	49	#5	4'-2"	┌
s1(E)	55	#5	4'-0"	┌
v(E)	104	#5	3'-9"	┌
v1(E)	49	#5	2'-5"	—
v2(E)	55	#5	3'-0"	—
v3(E)	24	#5	2'-4"	┌
v4(E)	8	#5	7'-2"	—
v5(E)	4	#5	11"	—
Structure Excavation		Cu. Yd.	161.0	
Concrete Structures		Cu. Yd.	20.7	
Reinforcement Bars, Epoxy Coated		Pound	3510	
Concrete Sealer		Sq. Ft.	509	
Structural Repair of Concrete (Depth Equal to or Less than 5")		Sq. Ft.	2	

EAST ABUTMENT  
BILL OF MATERIAL

Bar	No.	Size	Length	Shape
h(E)	10	#6	25'-0"	—
h1(E)	24	#5	24'-0"	—
h4(E)	10	#6	27'-1"	—
h5(E)	24	#5	26'-3"	—
h6(E)	2	#5	11'-2"	—
h7(E)	4	#5	7'-9"	—
s(E)	42	#5	4'-2"	┌
s1(E)	55	#5	4'-0"	┌
v(E)	97	#5	3'-9"	┌
v1(E)	42	#5	2'-5"	—
v2(E)	55	#5	3'-0"	—
v3(E)	24	#5	2'-4"	┌
v4(E)	*	#5	7'-2"	—
v6(E)	4	#5	1'-4"	—
Structure Excavation		Cu. Yd.	151.0	
Concrete Structures		Cu. Yd.	20.4	
Reinforcement Bars, Epoxy Coated		Pound	3230	
Concrete Sealer		Sq. Ft.	478	
Epoxy Crack Injection		Foot	2	

\* See West Abutment bar list.

Notes:  
Hatched area to be poured after superstructure false work has been removed. Quantity of concrete included with Concrete Superstructure.  
For details of Bar Splicers, see sheet 39 of 39.



USER NAME =  
FILE NAME =  
PLOT SCALE =  
PLOT DATE =

DESIGNED - MTH  
CHECKED - ADB  
DRAWN - AJF  
CHECKED - MTH

REVISED -  
REVISED -  
REVISED -  
REVISED -

STATE OF ILLINOIS  
DEPARTMENT OF TRANSPORTATION

ABUTMENT DETAILS  
STRUCTURE NO. 045-0037

SHEET NO. 35 OF 39 SHEETS

F.A.P. RTE.	SECTION	COUNTY	TOTAL SHEETS	SHEET NO.
573	61HB-1-R	KANE	110	85
			CONTRACT NO. 60K76	

ILLINOIS FED. AID PROJECT