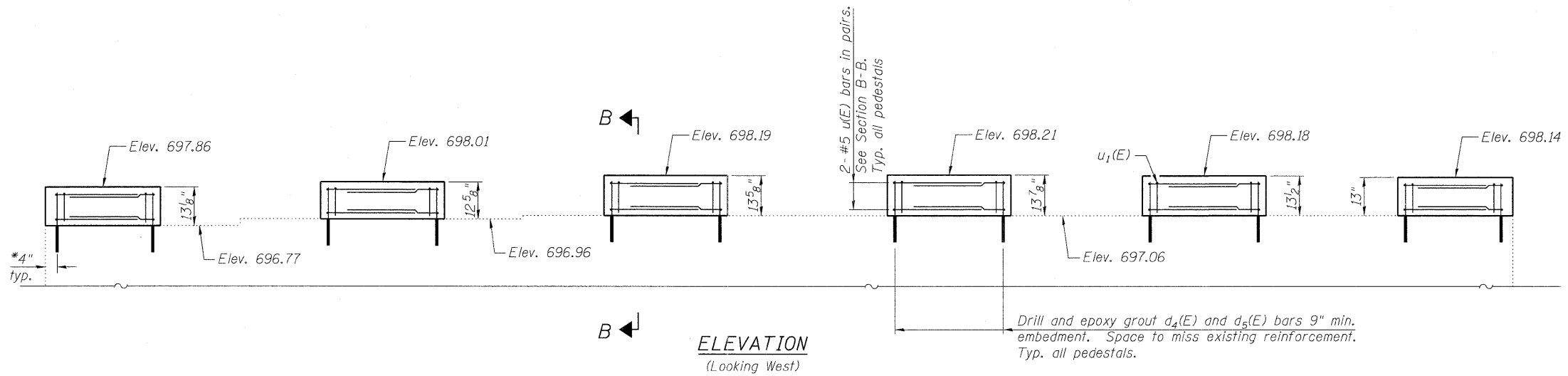


TOP PLAN OF PIER 2 (NORTH PORTION)

Stage II Construction

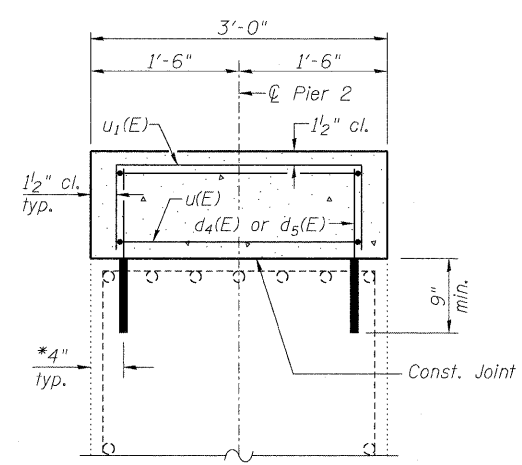


ELEVATION  
(Looking West)

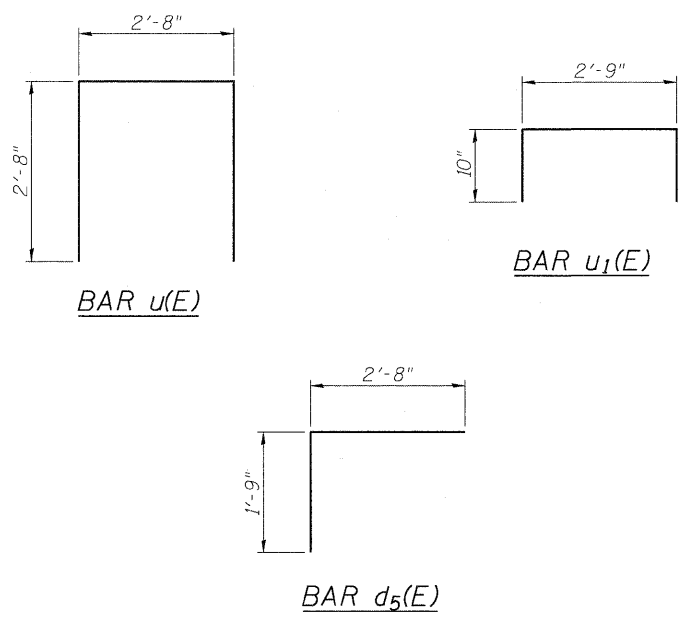
MIN. BAR LAP  
#5 = 2'-0"

BILL OF MATERIAL  
(Pier 2-North Portion)

Bar	No.	Size	Length	Shape
d <sub>4</sub> (E)	24	#6	1'-9"	—
d <sub>5</sub> (E)	24	#6	4'-5"	┌
u(E)	24	#5	8'-0"	┌
u <sub>1</sub> (E)	24	#5	4'-5"	┌
Concrete Structures			Cu. Yd.	2.5
Reinforcement Bars, Epoxy Coated			Pound	540



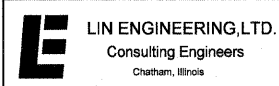
SECTION B-B



\* Adjust as necessary to miss existing reinforcement in cap.

Notes:  
See sheet 30 of 39 for Anchor Bolt Layout.  
Space pedestal reinforcement to miss proposed anchor bolts.  
Prior to ordering any material, the Contractor shall verify in the field all bearing height dimensions.

(Sheet 2 of 2)



USER NAME =	DESIGNED - MTH	REVISED -
FILE NAME =	CHECKED - ADB	REVISED -
PLOT SCALE =	DRAWN - AJF	REVISED -
PLOT DATE =	CHECKED - MTH	REVISED -

STATE OF ILLINOIS  
DEPARTMENT OF TRANSPORTATION

PIER 2 PEDESTAL DETAILS  
STRUCTURE NO. 045-0037

SHEET NO. 37 OF 39 SHEETS

F.A.P. RTE. 573	SECTION 61HB-1-R	COUNTY KANE	TOTAL SHEETS 110	SHEET NO. 87
				CONTRACT NO. 60K76
ILLINOIS FED. AID PROJECT				