

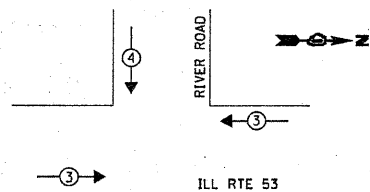
LEGEND

- ◻ SINGLE ENTRY PHASE
- ◻ DUAL ENTRY PHASE
- ◻ OVERLAP
- ◻ PEDESTRIAN PHASE
- NUMBER REFERS TO ASSOCIATED PHASE

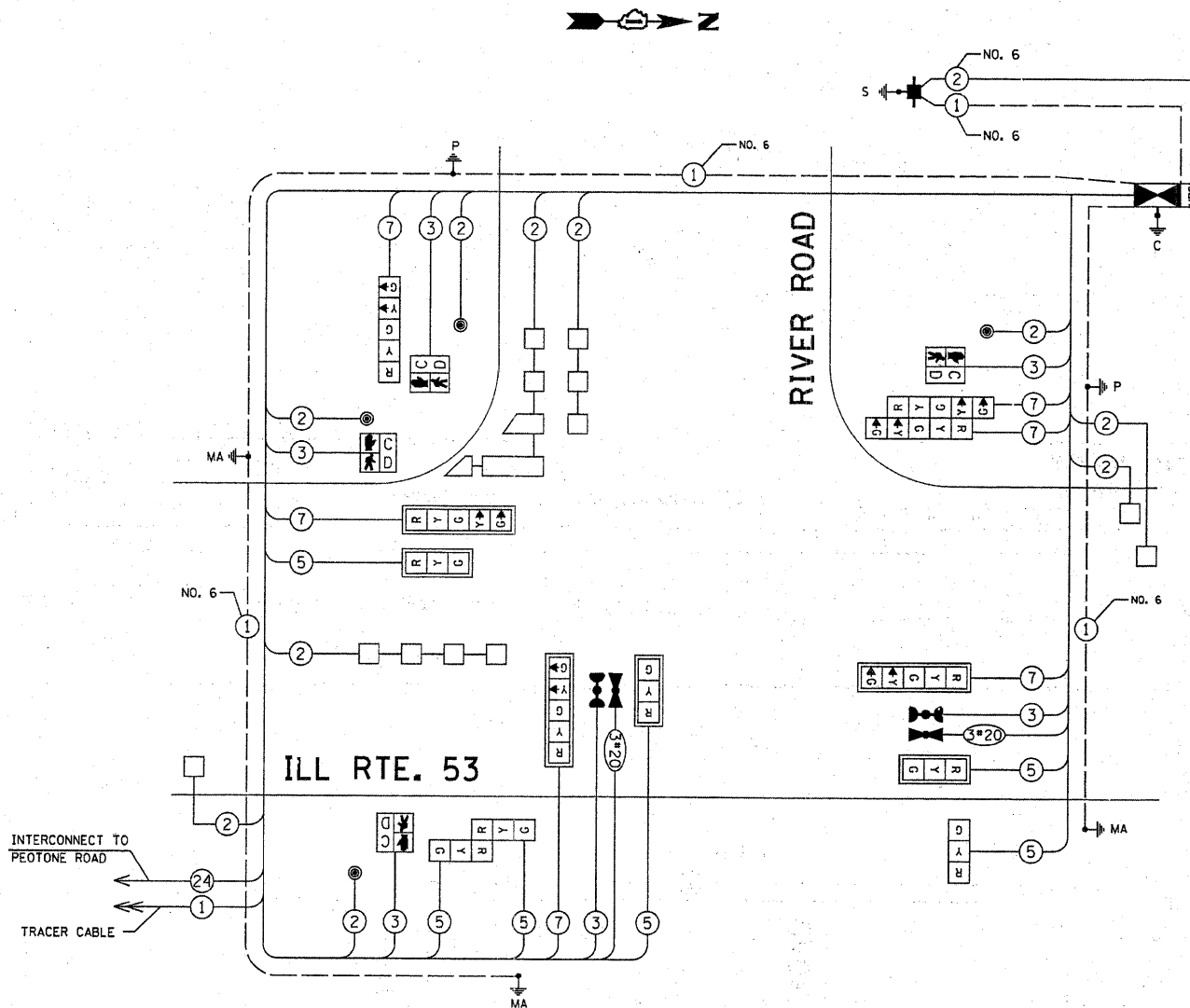
PHASE DESIGNATION DIAGRAM

OVERLAP LETTER	PERMISSIVE PHASE	PROTECTED PHASE
B	= 4 + 5	
C	= 6 + 4	

EMERGENCY VEHICLE PREEMPTION SEQUENCE



PROPOSED EMERGENCY VEHICLE PREEMPTOR		
EMERGENCY VEHICLE PREEMPTOR	3	4
MOVEMENT	←	↓



CABLE PLAN

SCHEDULE OF QUANTITIES

QUANTITY	UNIT	ITEM
21.0	SO FT	SIGN PANEL - TYPE 1
518	FOOT	CONDUIT IN TRENCH, 2" DIA., GALVANIZED STEEL
52	FOOT	CONDUIT IN TRENCH, 2 1/2" DIA., GALVANIZED STEEL
64	FOOT	CONDUIT IN TRENCH, 3" DIA., GALVANIZED STEEL
228	FOOT	CONDUIT IN TRENCH, 4" DIA., GALVANIZED STEEL
139	FOOT	CONDUIT PUSHED, 2" DIA., GALVANIZED STEEL
327	FOOT	CONDUIT PUSHED, 4" DIA., GALVANIZED STEEL
6	EACH	HEAVY-DUTY HANDHOLE
2	EACH	DOUBLE HANDHOLE
860	FOOT	TRENCH AND BACKFILL FOR ELECTRICAL WORK
1	EACH	FULL-ACTUATED CONTROLLER AND TYPE IV CABINET
1	EACH	TRANSCEIVER - FIBER OPTIC
865	FOOT	ELECTRIC CABLE IN CONDUIT, SIGNAL NO. 14 2C
1525	FOOT	ELECTRIC CABLE IN CONDUIT, SIGNAL NO. 14 3C
1855	FOOT	ELECTRIC CABLE IN CONDUIT, SIGNAL NO. 14 5C
575	FOOT	ELECTRIC CABLE IN CONDUIT, SIGNAL NO. 14 7C
1585	FOOT	ELECTRIC CABLE IN CONDUIT, LEAD-IN, NO. 14 1-PAIR
80	FOOT	ELECTRIC CABLE IN CONDUIT, SERVICE, NO. 6 2C
2	EACH	TRAFFIC SIGNAL POST, GALVANIZED STEEL 16 FT.
1	EACH	STEEL MAST ARM ASSEMBLY AND POLE, 34 FT.
1	EACH	STEEL MAST ARM ASSEMBLY AND POLE, 48 FT.

QUANTITY	UNIT	ITEM
1	EACH	STEEL MAST ARM ASSEMBLY AND POLE, 50 FT.
8	FOOT	CONCRETE FOUNDATION, TYPE A
4	FOOT	CONCRETE FOUNDATION, TYPE C
39	FOOT	CONCRETE FOUNDATION, TYPE E 36-INCH DIAMETER
3	EACH	SIGNAL HEAD, L.E.D., 1-FACE, 3-SECTION, MAST ARM MOUNTED
1	EACH	SIGNAL HEAD, L.E.D., 1-FACE, 3-SECTION, BRACKET MOUNTED
1	EACH	SIGNAL HEAD, L.E.D., 2-FACE, 3-SECTION, BRACKET MOUNTED
3	EACH	SIGNAL HEAD, L.E.D., 1-FACE, 5-SECTION, MAST ARM MOUNTED
1	EACH	SIGNAL HEAD, L.E.D., 1-FACE, 5-SECTION, BRACKET MOUNTED
1	EACH	SIGNAL HEAD, L.E.D., 2-FACE, 5-SECTION, BRACKET MOUNTED
4	EACH	PEDESTRIAN SIGNAL HEAD, L.E.D., 1-FACE, BRACKET MOUNTED WITH COUNTDOWN TIMER
6	EACH	TRAFFIC SIGNAL BACKPLATE, LOUVERED, ALUMINUM
6	EACH	INDUCTIVE LOOP DETECTOR
776	FOOT	DETECTOR LOOP, TYPE I
* 2	EACH	LIGHT DETECTOR
* 1	EACH	LIGHT DETECTOR AMPLIFIER
4	EACH	PEDESTRIAN PUSH-BUTTON
1	EACH	SERVICE INSTALLATION, POLE MOUNT
1	EACH	UNINTERRUPTIBLE POWER SUPPLY
1080	FOOT	ELECTRIC CABLE IN CONDUIT, GROUNDING, NO. 6 1C
* 625	FOOT	ELECTRIC CABLE IN CONDUIT, NO. 20 3/C, TWISTED, SHIELDED

RESTORATION OF WORK AREA, RESTORATION OF THE TRAFFIC SIGNAL WORK AREA SHALL BE INCIDENTAL TO THE RELATED PAY ITEM SUCH AS FOUNDATION, CONDUIT, HANDHOLE, TRENCH AND BACKFILL, ETC., AND NO EXTRA COMPENSATION SHALL BE ALLOWED. ALL ROADWAY SURFACES SUCH AS SHOULDERS, MEDIAN, SIDEWALKS, PAVEMENT, ETC. SHALL BE REPLACED IN KIND. ALL DAMAGE TO MOWED LAWNS SHALL BE REPLACED WITH AN APPROVED SOD, AND ALL DAMAGE TO UNMOWED FIELDS SHALL BE SEEDED IN ACCORDANCE WITH STANDARD SPECIFICATIONS 252 AND 250 RESPECTIVELY.

THE ENDS OF THE TRACER CABLES SHALL BE CONTINUOUS AND EXTEND INTO THE CONTROLLER CABINETS.

THE ENVIRONMENTAL FIRM IS REQUIRED TO CONTINUOUSLY MONITOR FOR WORKER PROTECTION AND SOIL CONTAMINATION AT SEVERAL AREAS. SEE SPECIAL PROVISION AND SUPPLEMENTAL SPECIFICATIONS FOR DETAILS.

I.D.O.T. TRAFFIC SIGNAL INSTALLATION ELECTRICAL SERVICE REQUIREMENTS					TOTAL WATTAGE
TYPE	NO. LAMPS	WATTAGE INCAND. LED	% OPERATION		
SIGNAL (RED)	12	17	0.50		102.00
(YELLOW)	12	25	0.25		75.00
(GREEN)	12	15	0.25		45.00
ARROW	12	12	0.10		14.40
PED. SIGNAL	4	29	1.00		116.00
CONTROLLER	1	100	1.00		100.00
ILLUM. SIGN	-	25	0.05		-
FLASHER			0.05		
ENERGY COSTS TO:				TOTAL =	452.40

ILLINOIS DEPARTMENT OF TRANSPORTATION
 DIVISION OF HIGHWAY/DISTRICT 1
 201 WEST CENTER COURT/SCHAUMBURG, ILLINOIS 60196-1096
 ENERGY SUPPLY CONTACT: JAMES GLOVER
 PHONE: (815) 724-5054
 COMPANY: COMMONWEALTH EDISON

* 100% COST TO THE CITY OF WILMINGTON

APEX
 CONSULTING ENGINEERS, LLC
 111 E. Wacker Drive, Suite 520
 Chicago, IL 60601

FILE NAME =	USER NAME = wngm	DESIGNED - WHI	REVISED -	STATE OF ILLINOIS DEPARTMENT OF TRANSPORTATION	ILL ROUTE 53 AT RIVER ROAD SCHEDULE OF QUANTITIES, CABLE PLAN, PHASE DESIGNATION DIAGRAM AND EMERGENCY PREEMPTION SEQUENCE	F.A.P. RTE.	SECTION	COUNTY	TOTAL SHEETS	SHEET NO.
#FILE#	PLOT SCALE = #SCALE#	DRAWN - WHI	REVISED -			B46	4-N-3	WILL	68	38
	PLOT DATE = 8/2/2011	CHECKED - DEB	REVISED -			CONTRACT NO. 60L42				

SCALE: N.T.S. SHEET NO. OF SHEETS STA. TO STA. FED. ROAD DIST. NO. 1 ILLINOIS FED. AID PROJECT