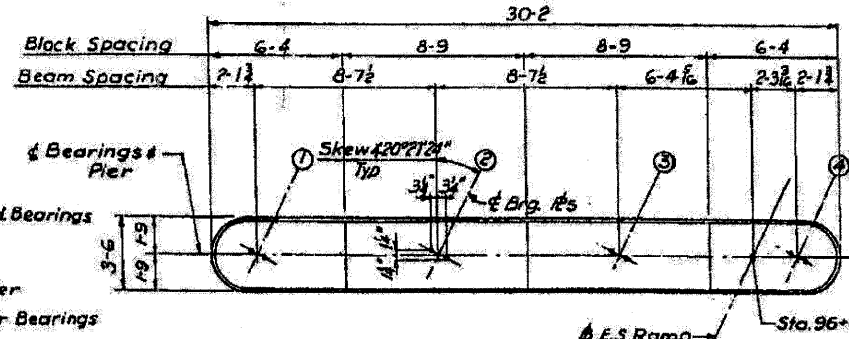
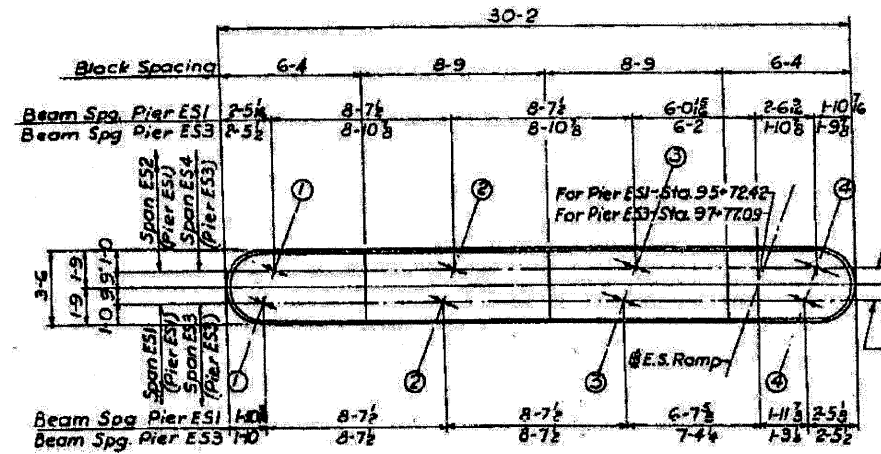


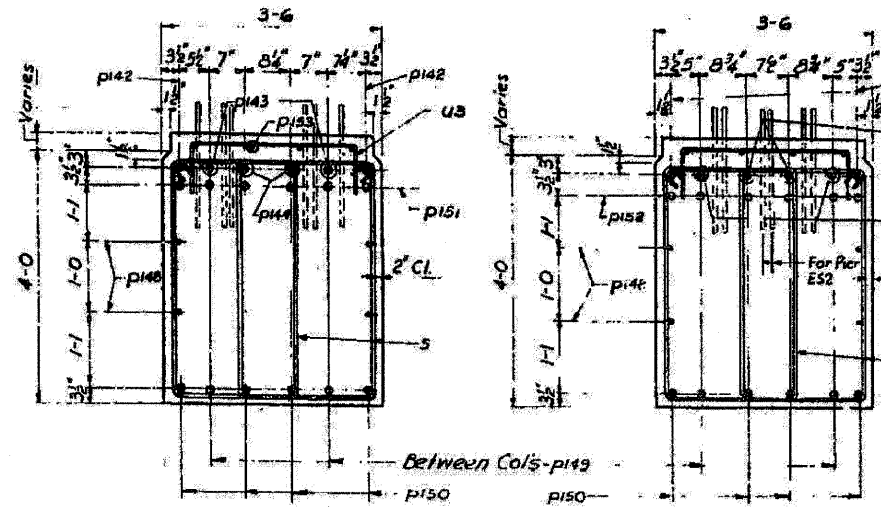
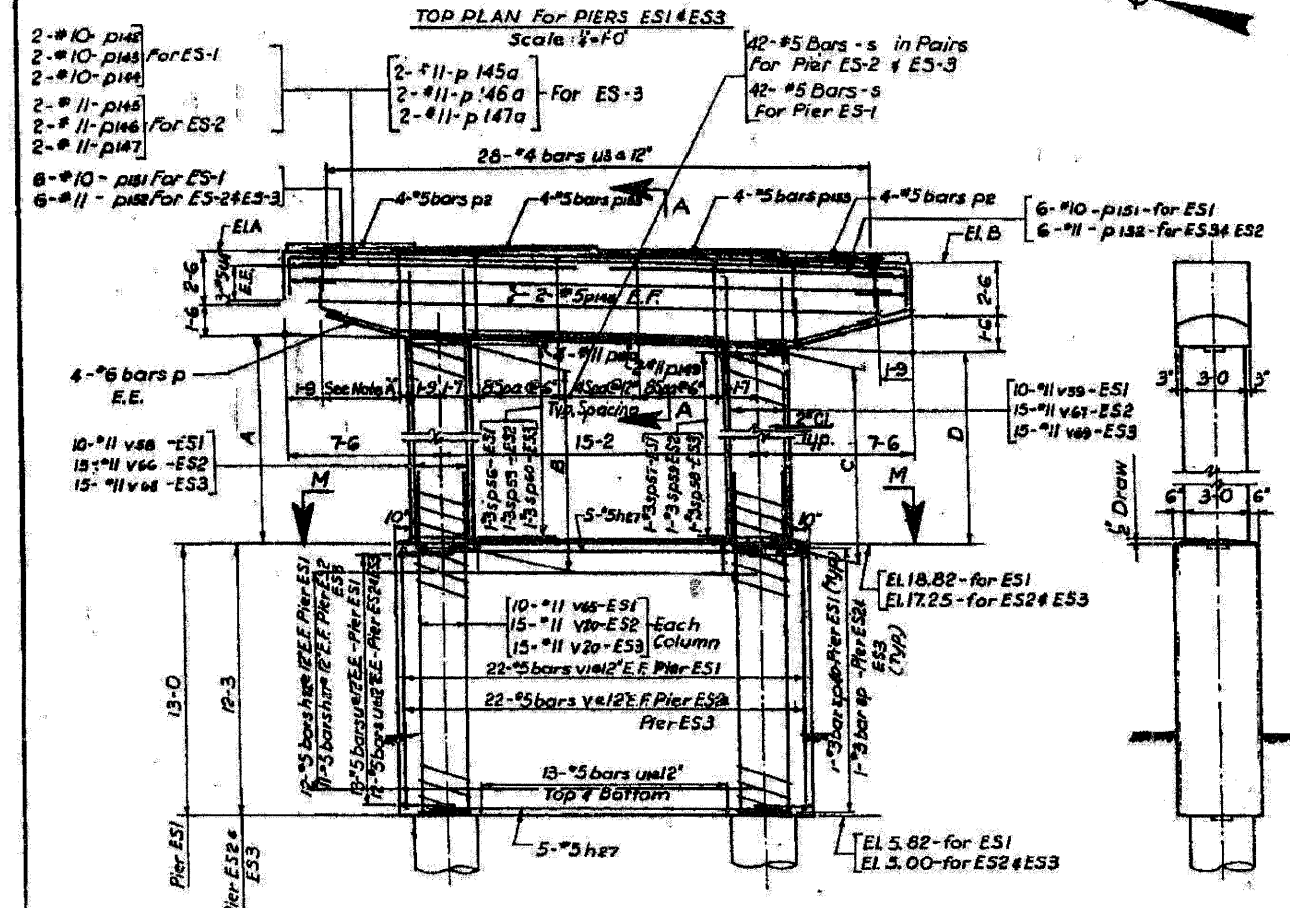
ROUTE NO.	SECTION	COUNTY	TOTAL SHEETS	SHEET NO.
F.A.I.-85	SW-1818.3-2H	COOK	99	46
FED. ROAD DIV. NO. 4	ILLINOIS	PROJECT LG-95-7(III)-200		



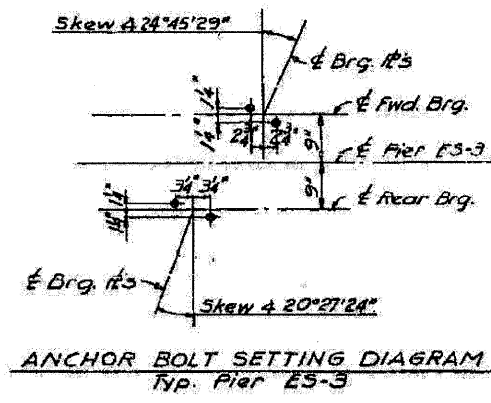
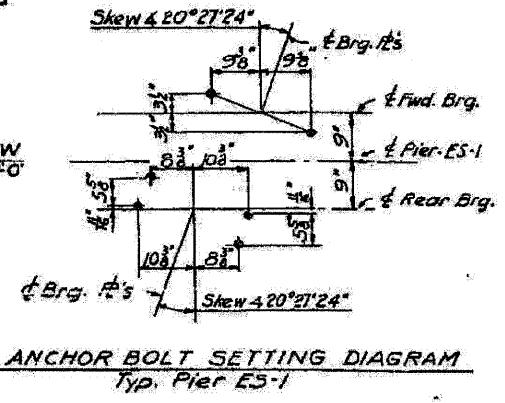
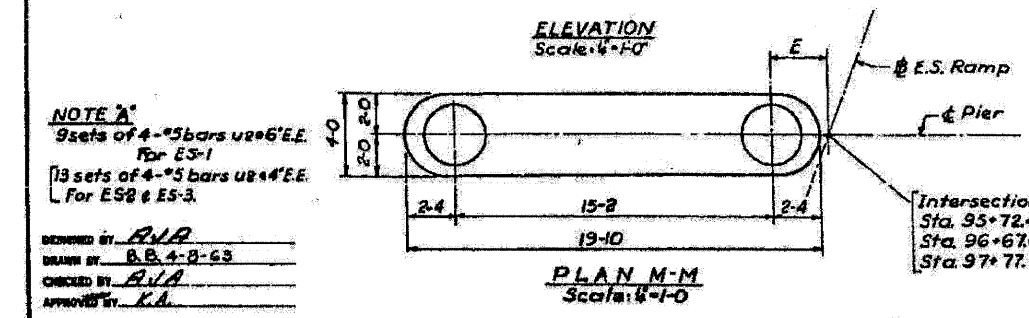
**BILL OF MATERIAL**

DESCRIPTION	UNIT	QUANTITY		
		Pier ES1	Pier ES2	Pier ES3
Class "X" Concrete	Cu.Yds.	58.2	57.1	57.2
Reinforcement Bars	Lbs.	8,740	11,080	11,030
Class A Excavation for Structures	Cu.Yds.	12	14	13

PIER	EL. A	EL. B	Top of Block Elevation				DIMENSIONS				
			Beam No.				A	B	C	D	E
			1	2	3	4					
ES1	34.76	34.17	35.02	34.81	34.64	34.51	11-11 1/2	11-9 1/2	11-6	11-4 1/2	3-1
ES2	35.04	34.47	35.30	35.10	34.93	34.81	13-7 1/2	13-7 1/2	13-4 1/2	13-2 1/2	3-1 1/2
ES3	34.99	33.84	35.27	34.92	34.59	34.28	13-8 1/2	13-5 1/2	12-10 1/2	12-7 1/2	3-9 1/2



**FOR INFORMATION ONLY**



**NOTE:**  
For additional pier sections and notes see sheet No. S30

**NOTE A:**  
9 sets of 4-#5 bars u#6 E.E. For ES-1  
13 sets of 4-#5 bars u#4 E.E. For ES2 & ES-3.

DESIGNED BY: **AJR**  
DRAWN BY: **B.B. 4-8-63**  
CHECKED BY: **AJA**  
APPROVED BY: **K.A.**

CITY OF CHICAGO  
DEPARTMENT OF PUBLIC WORKS  
BUREAU OF ENGINEERING  
SOUTHWEST ROUTE SUPERHIGHWAY  
ELEVATED HIGHWAY  
S. LAKE PARK AVE. TO S. LAKE SHORE DRIVE  
SECTION SW-1818.3-2H  
**PIERS ES1, ES2 & ES3**  
SCALE: AS NOTED DEC. 1984  
SHEET NO. S-25 OF 39 SHEETS