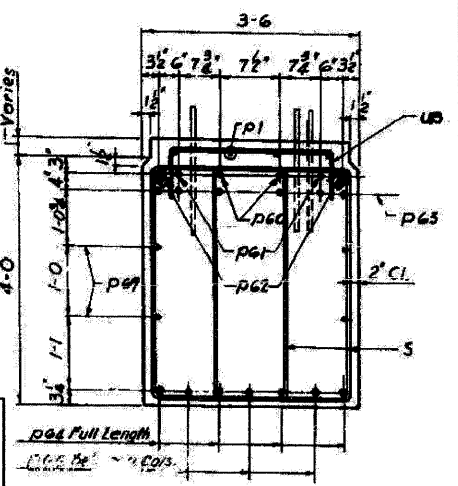
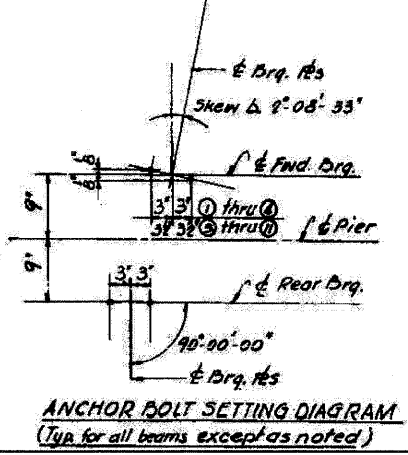
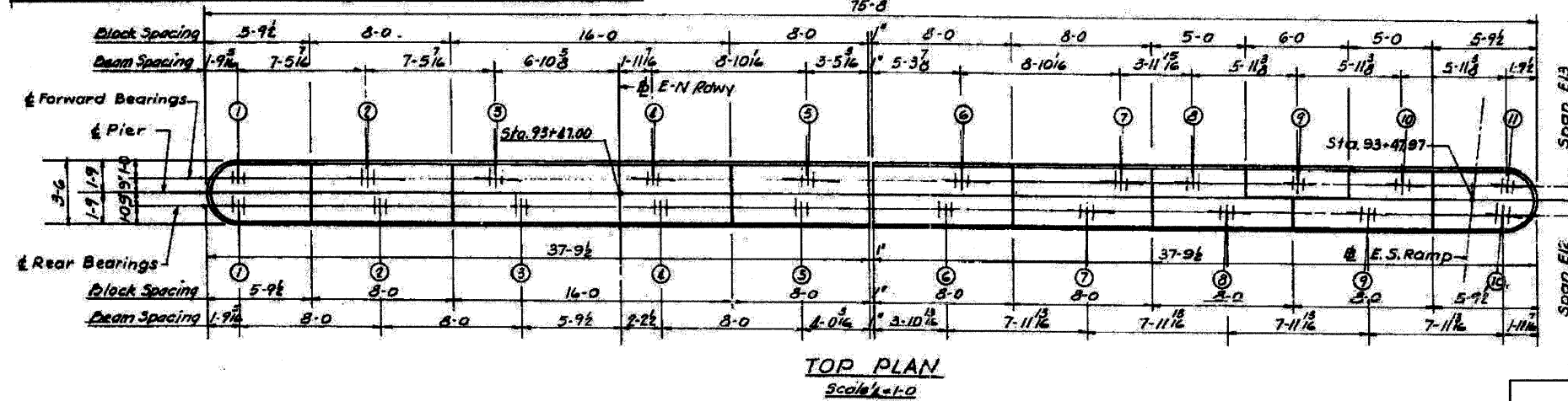
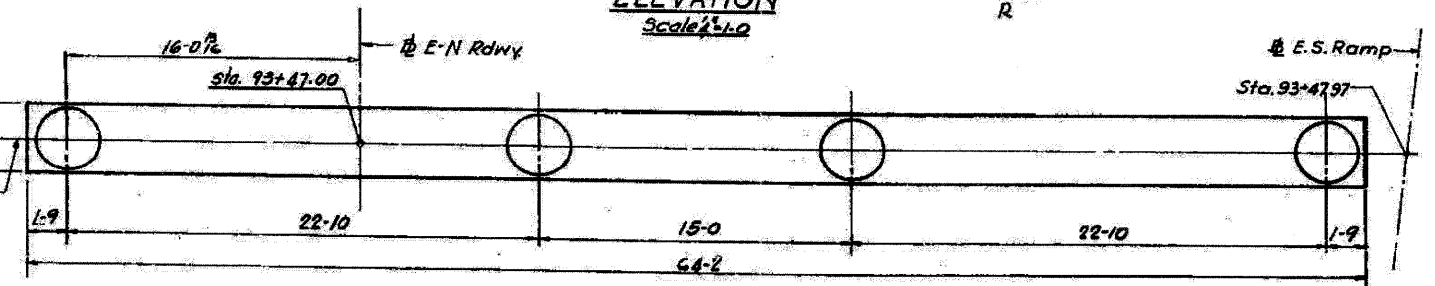
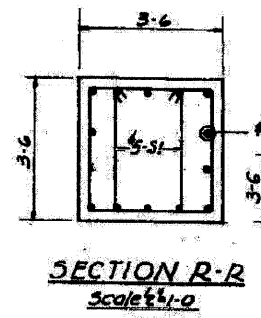
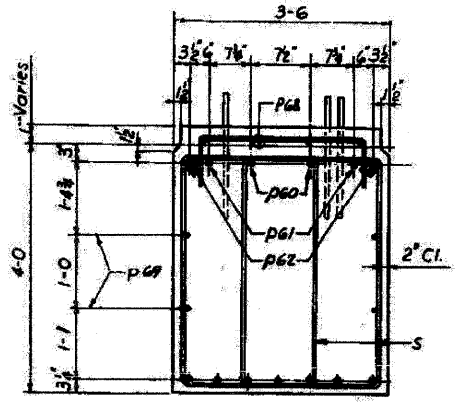
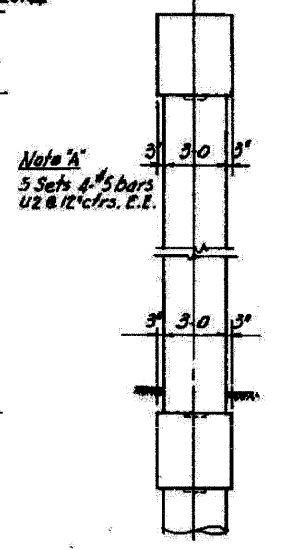
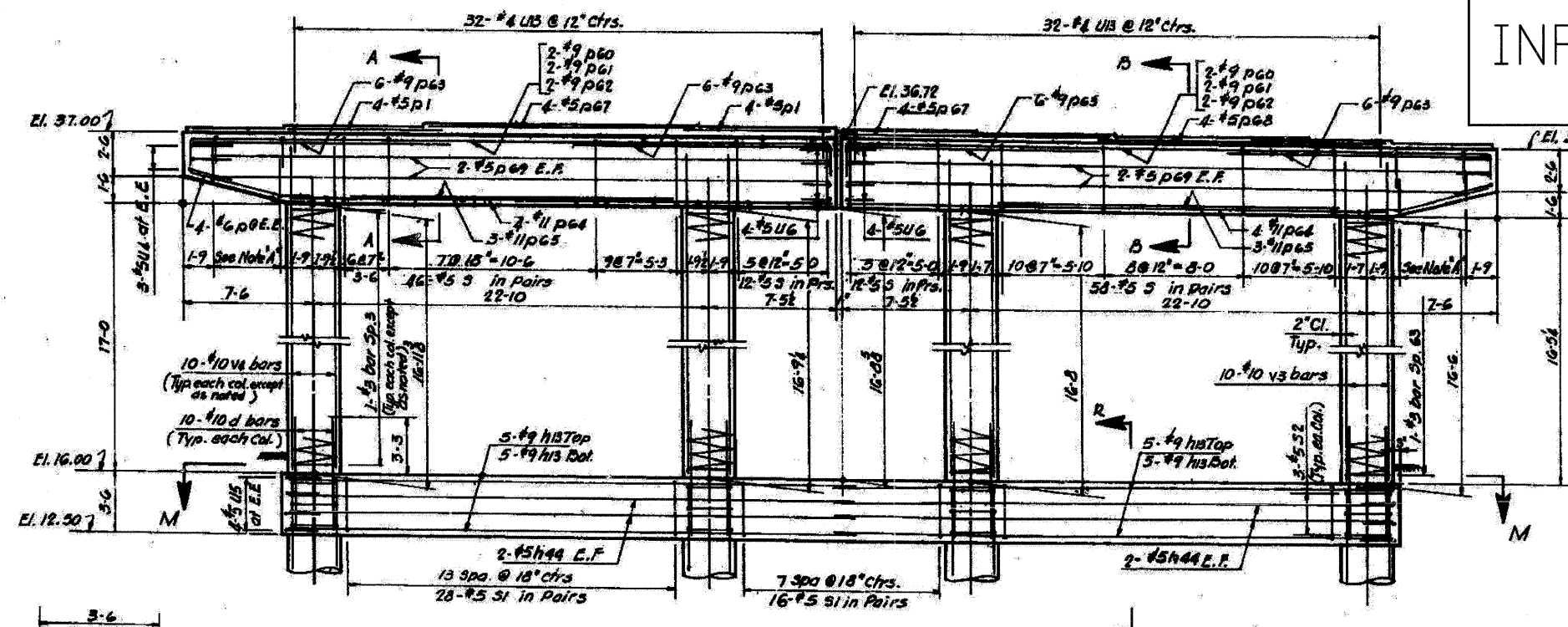


ELEVATIONS TOP OF BLOCK											
Beam No.	1	2	3	4	5	6	7	8	9	10	11
Forward Brgs.	37.07	37.34	37.47	37.47	37.43	37.26	37.09	36.97	36.89	36.77	36.61
Rear Brgs.	37.07	37.34	37.47	37.47	37.43	37.26	37.09	36.97	36.77	36.61	

ROUTE NO.	SECTION	COUNTY	TOTAL SHEETS	SHEET NO.
F.A.I.-55	SW-1818.3-2H	COOK	99	39
FED. ROAD DIV. NO. 4		ILLINOIS	PROJECT LG-55-7(50)-200	



FOR INFORMATION ONLY



**BILL OF MATERIAL**

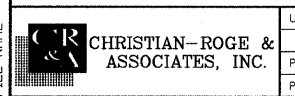
DESCRIPTION	UNIT	QUANTITY
Class X Concrete	Cu.Yds.	89.0
Reinforcement Bars	Lbs.	16,290
Class A Excavation for Structure	Cu.Yds.	37

**NOTE:**  
For additional pier sections and notes see sheet No. 330.

CITY OF CHICAGO  
DEPARTMENT OF PUBLIC WORKS  
BUREAU OF ENGINEERING  
**SOUTHWEST ROUTE SUPERHIGHWAY  
ELEVATED HIGHWAY**  
S. LAKE PARK AVE TO S. LAKE SHORE DRIVE  
SECTION SW-1818.3-2H  
**PIER E12**  
SCALE: AS NOTED DEC. 1964  
SHEET NO. 5-18 OF 99 SHEETS

FILE NAME = I:\102908\_1-55\STRUCTURAL\Sheet\Existing Plans\1060P37-33-pier\_E12.dgn

DESIGNED BY  
DRAWN BY A.S.  
CHECKED BY A.M. 4.22.65  
APPROVED BY K.A.



USER NAME = IDOT	DESIGNED - J.C.N./B.N.S.	REVISED -
PLOT SCALE = 50.0/2000 1/4" = 1'-0"	CHECKED - B.N.S./J.C.N.	REVISED -
PLOT DATE = 10/12/2011	DRAWN - F.M.	REVISED -
	DATE - OCTOBER 12, 2011	REVISED -

STATE OF ILLINOIS  
DEPARTMENT OF TRANSPORTATION

PIER E12  
EXISTING PLANS  
SHEET NO. 533 OF 541 SHEETS

F.A.I. RTE.	SECTION	COUNTY	TOTAL SHEETS	SHEET NO.
55	2011-031-BR	COOK	41	33
				CONTRACT NO. 60P37
ILLINOIS FED. AID PROJECT				