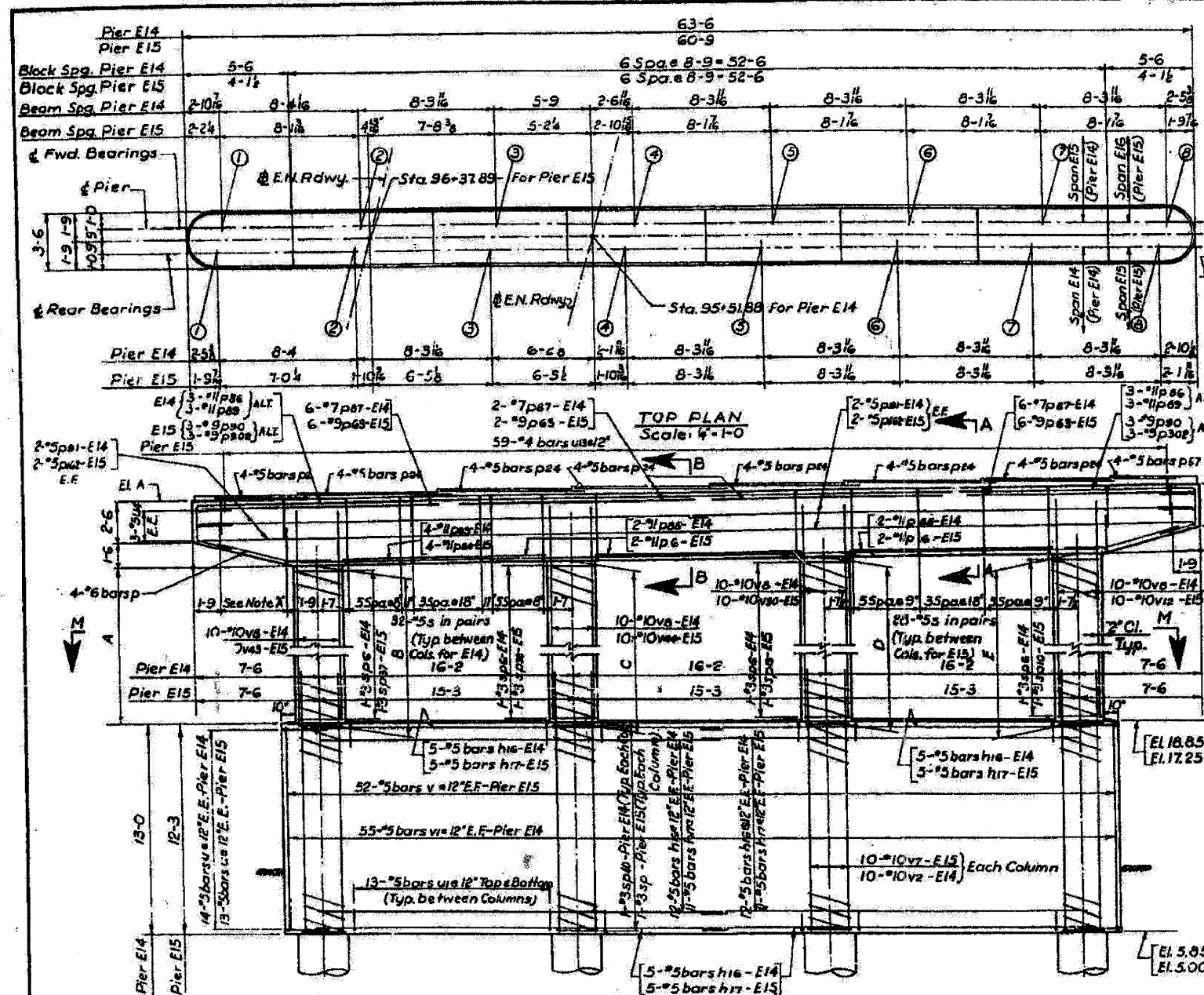
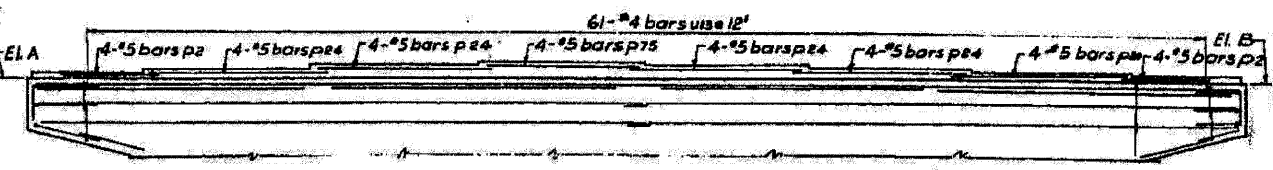


ROUTE NO.	SECTION	COUNTY	TOTAL SHEETS	SHEET NO.
F.A.L.-85	SW-18183-2H	COOK	99	41
FED. ROAD DIV. NO. 4 ILLINOIS PROJECT LG-50-7(20)-229				



PIER	ELEVATIONS																DIMENSIONS					
	Top of Block Rear Bearings								Top of Block Forward Bearings								A	B	C	D	E	F
	1	2	3	4	5	6	7	8	1	2	3	4	5	6	7	8						
E14	35.33	35.33	35.49	35.71	35.79	35.79	35.79	35.61	35.61	35.49	35.71	35.79	35.79	35.79	35.79	35.61	12-5 1/2	12-5 1/2	12-5 1/2	12-6 1/2	12-5 1/2	12-5 1/2
E15	35.42	36.70	35.70	35.95	36.10	36.26	36.42	36.60	36.75	36.98	35.70	35.95	36.10	36.26	36.42	36.60	14-2	14-3 1/2	14-7 1/2	14-11 1/2	15-3 1/2	15-5 1/2

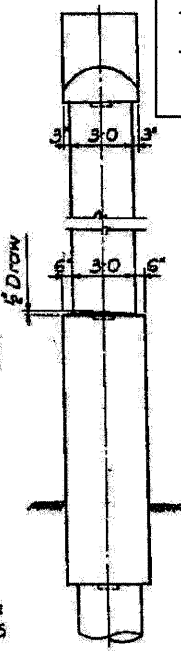


PART ELEVATION - For Pier E14  
For Remainder of Elevation and Reinforcement see Pier Elevation

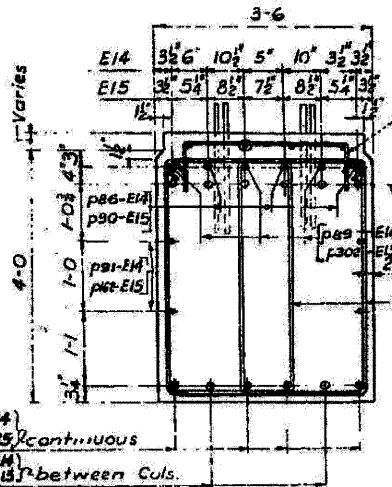
**BILL OF MATERIAL**

DESCRIPTION	UNIT	QUANTITY	
		Pier E14	Pier E15
Class X Concrete	Cu.Yds.	148.8	138.2
Reinforcement Bars	Lbs.	16,790	16,330
Class A Excavation for Structures	Cu.Yds.	29	39

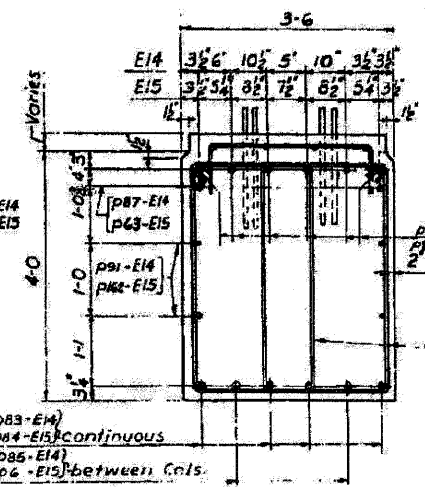
FOR INFORMATION ONLY



END VIEW Scale: 1/4"=1'-0"

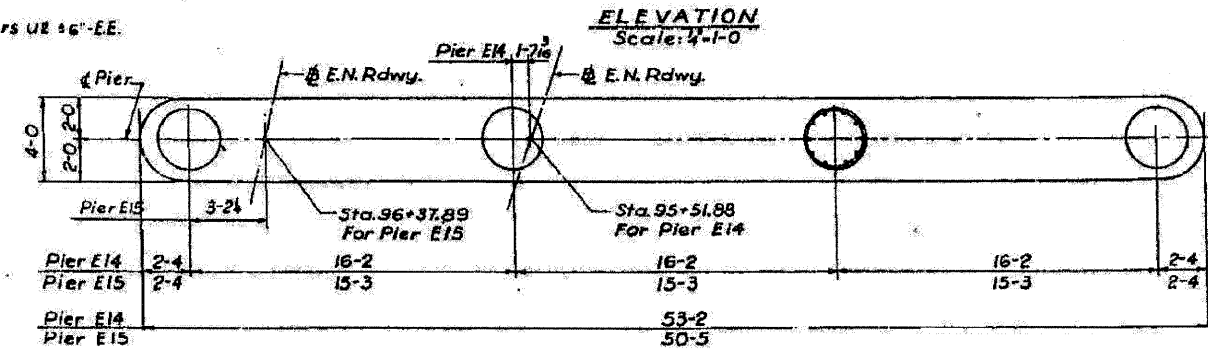


SECTION A-A Scale: 1/4"=1'-0"



SECTION B-B Scale: 1/4"=1'-0"

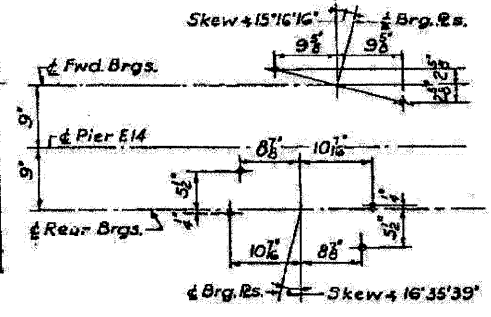
NOTE X  
9 Sets of 4-#5 bars UE 16"-E.E.



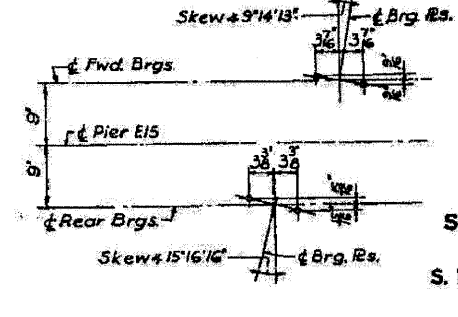
ELEVATION Scale: 1/4"=1'-0"

DESIGNED BY: A.R.  
DRAWN BY: B.D. 3-17-63  
CHECKED BY: B.M. 4-23-63  
APPROVED BY: K.A.

PLAN M-M Scale: 1/4"=1'-0"



ANCHOR BOLT SETTING DIAGRAM (Typ. for all Beams at Pier E14)



ANCHOR BOLT SETTING DIAGRAM (Typ. for all Beams at Pier E15)

NOTE:  
For additional pier sections & notes see sheet No. 530

CITY OF CHICAGO  
DEPARTMENT OF PUBLIC WORKS  
BUREAU OF ENGINEERING  
**SOUTHWEST ROUTE SUPERHIGHWAY  
ELEVATED HIGHWAY**  
S. LAKE PARK AVE TO S. LAKE SHORE DRIVE  
SECTION SW-18183-2H  
**PIERS E14 & E15**  
SCALE: AS NOTED  
SHEET NO. 5-20 OF 99 SHEETS  
DEC. 1964

FILE NAME = I:\1025986-1-55\STRUCTURAL\Sheet\Existing Plans\10168937-34-piers E14 & E15.dgn