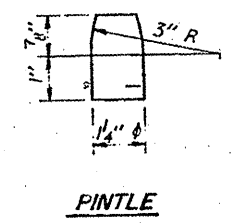
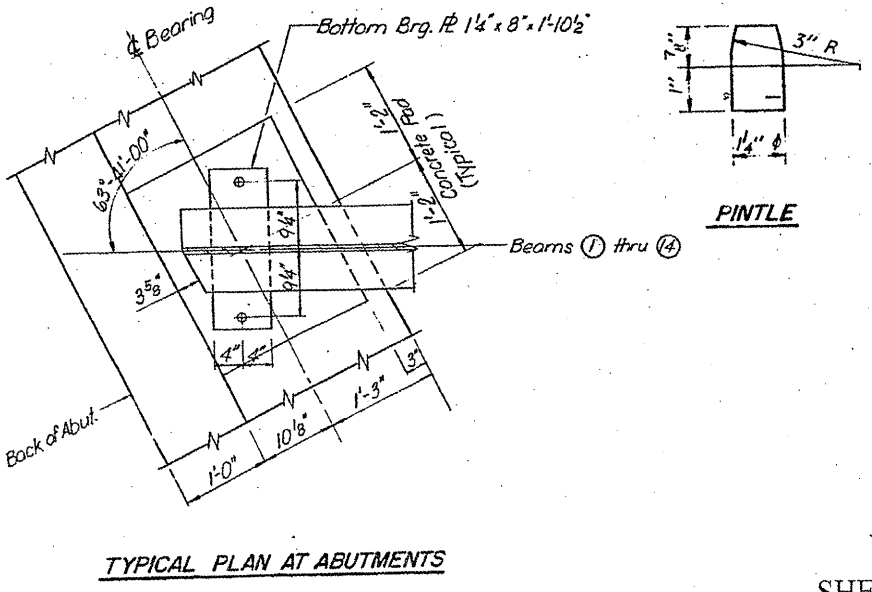
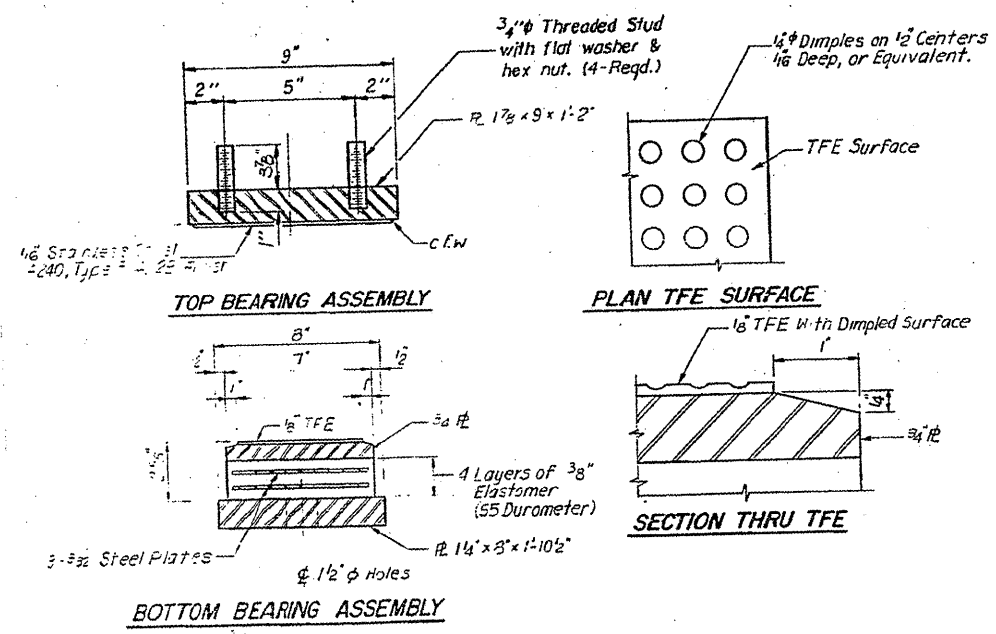
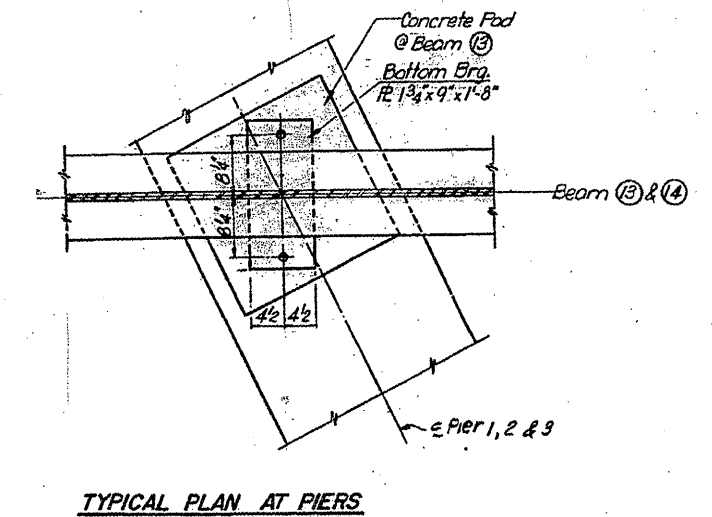
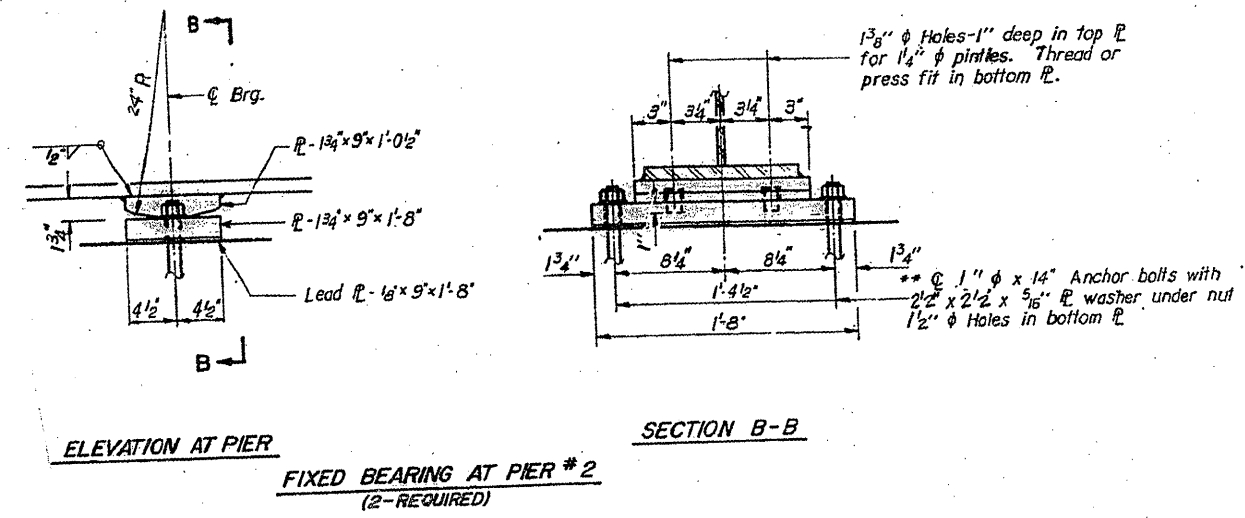
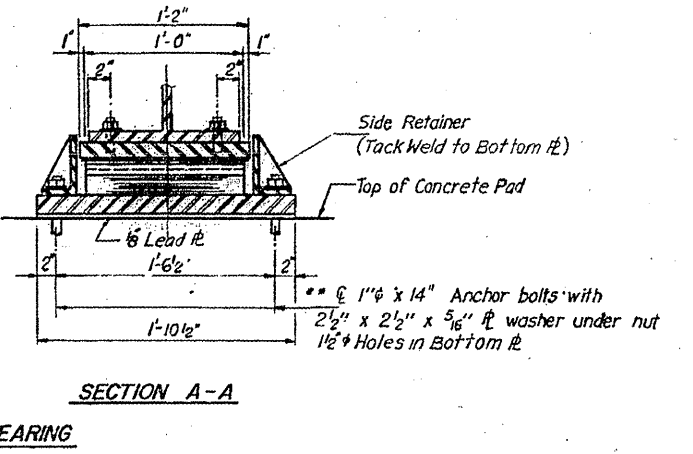
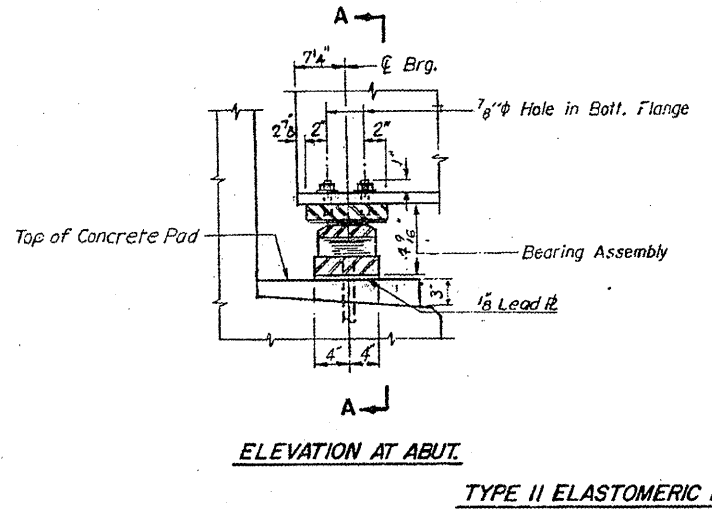
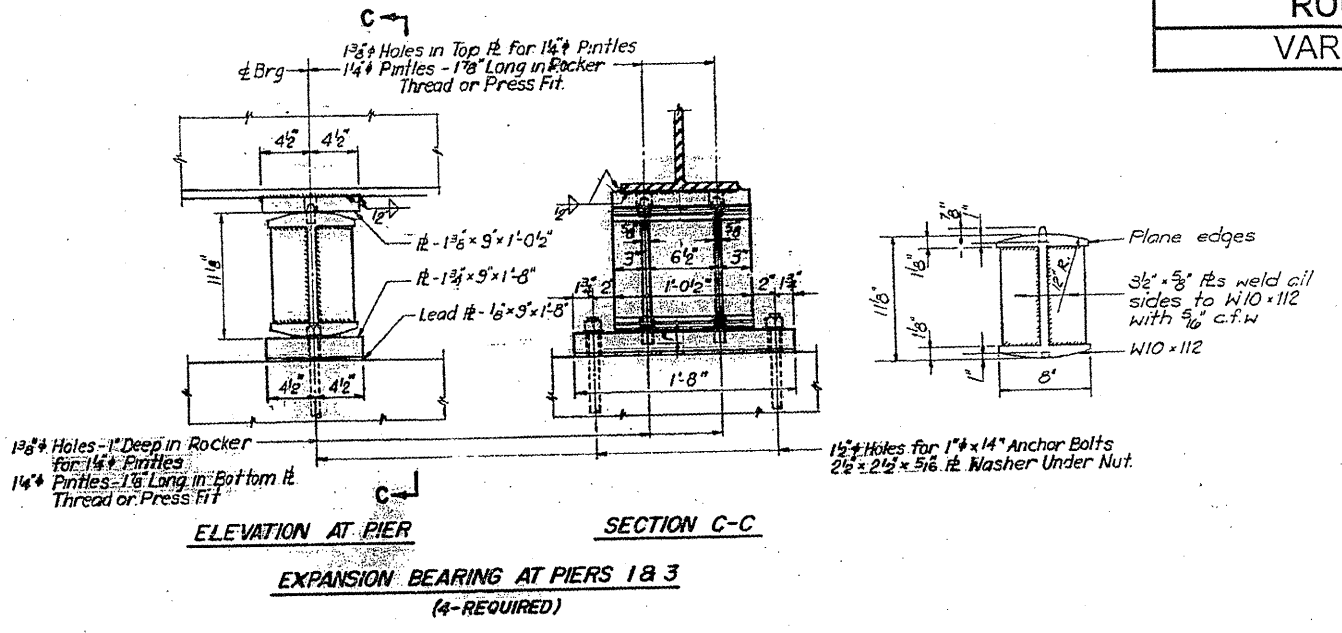


ROUTE	SECTION	COUNTY	TOTAL SHEETS	SHEET NUMBER
VARIOUS	2001-048-BP	COOK & LAKE	20	10

CONTRACT NO. 60P58



FOR INFORMATION ONLY

ILLINOIS DEPARTMENT OF
 TRANSPORTATION
 EXISTING BRIDGE PLAN
 LOCATION 1: SN 016-0536
 Willow Rd at I-94 (Edens Expy)