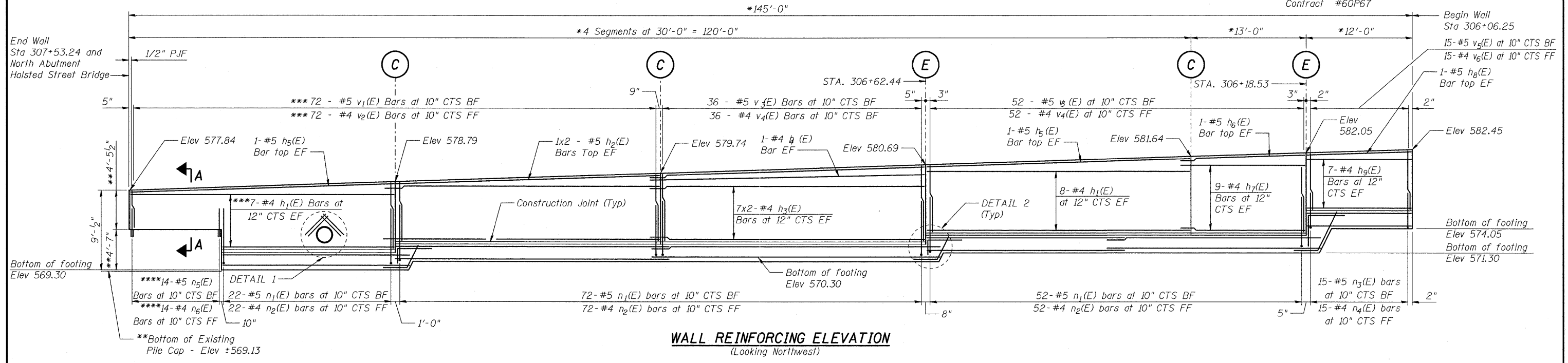


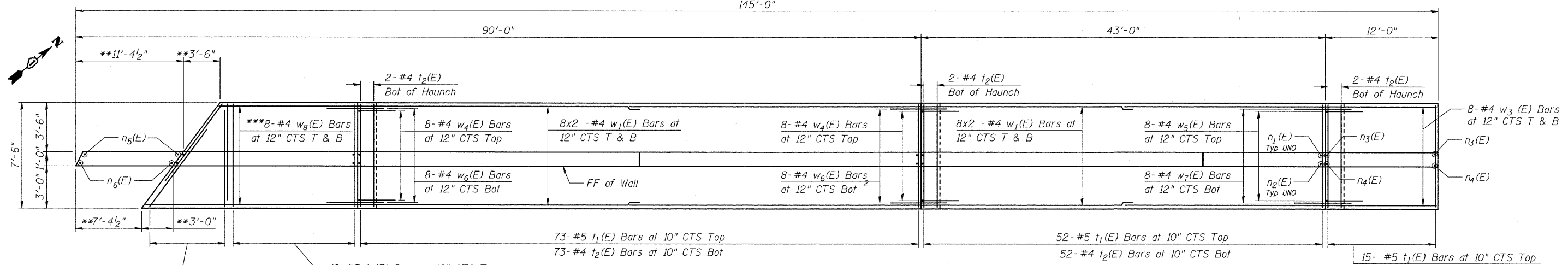
STATE OF ILLINOIS
DEPARTMENT OF TRANSPORTATION

ROUTE NO.	SECTION	COUNTY	TOTAL SHEETS	SHEET	SHEET NO.
290	2011-0551	COOK	107	71	4 SHEETS
FED. ROAD DIST. NO. 7	ILLINOIS	FED. AID PROJECT-			

Contract #60P67



WALL REINFORCING ELEVATION
(Looking Northwest)



FOOTING REINFORCING PLAN

NOTES:

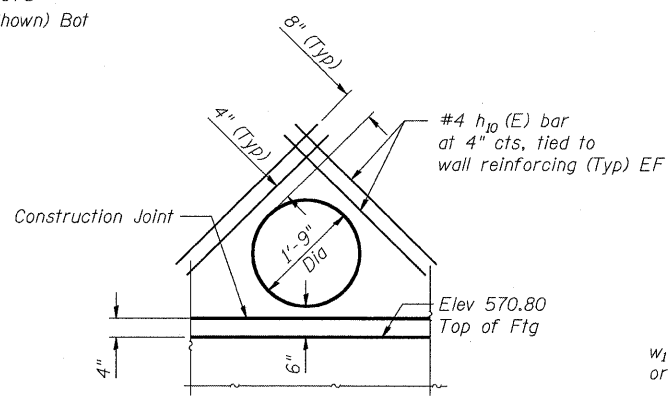
For Bill of Material See Sheet 4 of 4.
Bars indicated Thus: 7 x 2- #4 Denotes 7 Lines of #4 Bars with 2 Lengths Per Line.
See Sheet 4 of 4 for Section A-A.

ABBREVIATION LIST

Bot	Bottom
BF	Back Face
Exp	Expansion
EF	Each Face
FF	Front Face
Jt	Joint
T&B	Top & Bottom
Typ	Typical
Typ UNO	Typical Unless Noted Otherwise

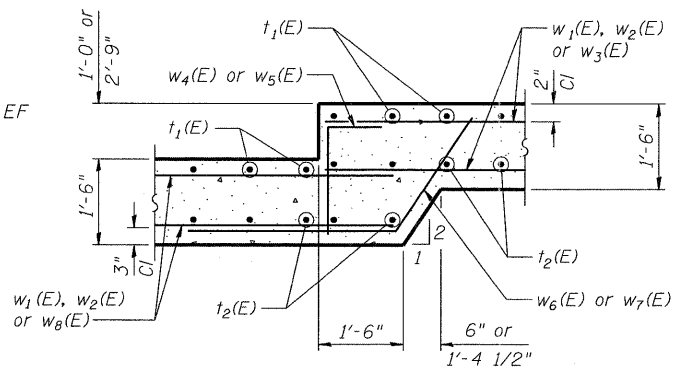
MIN BAR LAP

#4 bars = 2'-7"
#5 bars = 3'-3"



DETAIL 1

Cut Wall reinforcement as needed to pass through Pipe opening in wall.



DETAIL 2

DESIGNED	NDR
CHECKED	DSE
DRAWN	ZLM
CHECKED	NDR

**WALL REINFORCING PLAN AND SECTION
CIRCLE INTERCHANGE RETAINING WALL**

I-90/I-94/I-290
EB I-90/94 TO WB I-290
F.A.I. 94 /290-SECT. (2011-0551)
COOK COUNTY
SN016-0008

*** Contractor to verify dimensions and elevation of Halsted St. North Abutment foundation and adjust dimensions of proposed Retaining Wall to hold top of wall elevations should field conditions deviate from plans.
*** Order Bars full length and cut to fit as required at west end of Wall.
**** See Note on Section A-A, Sheet 4 of 4.