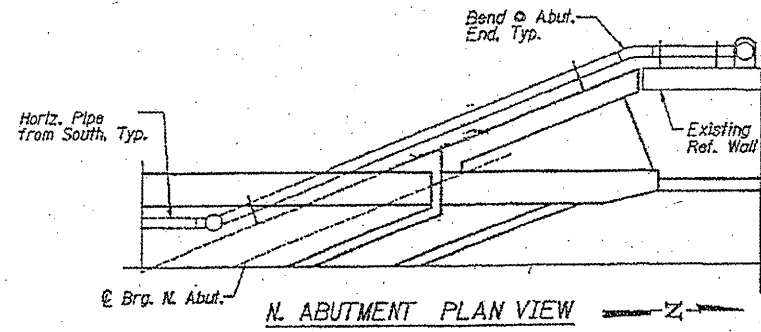
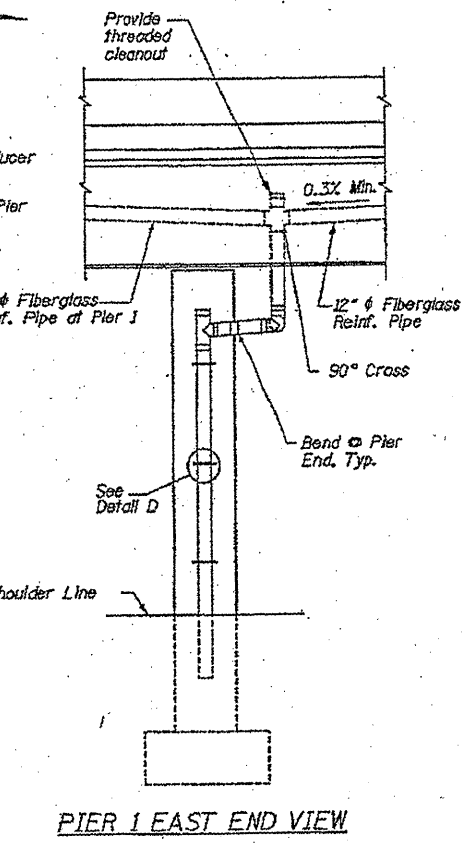
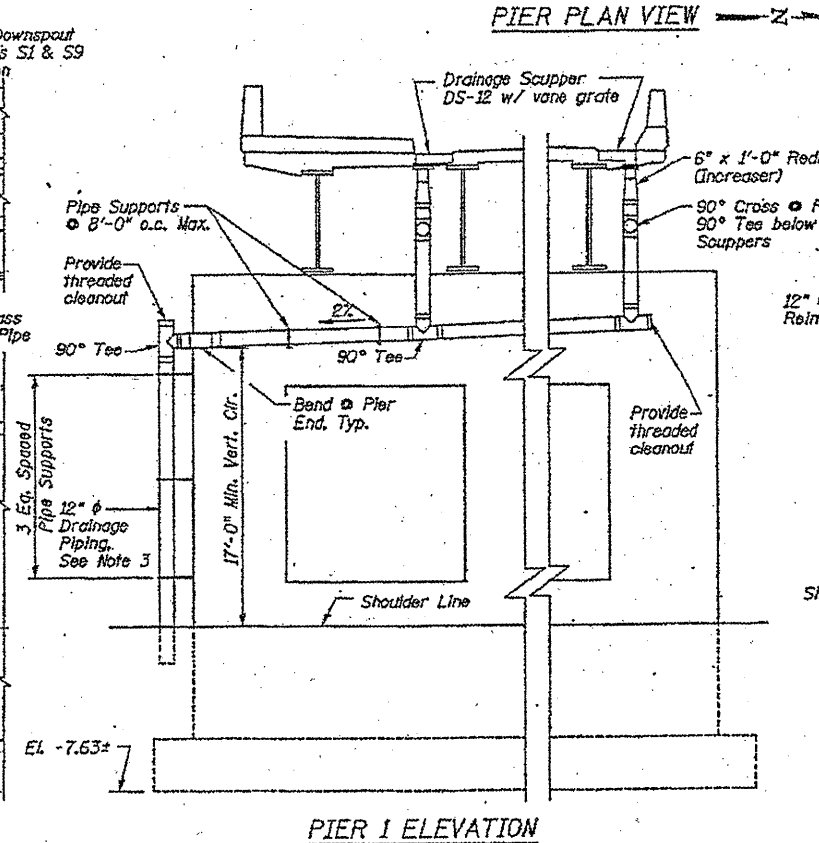
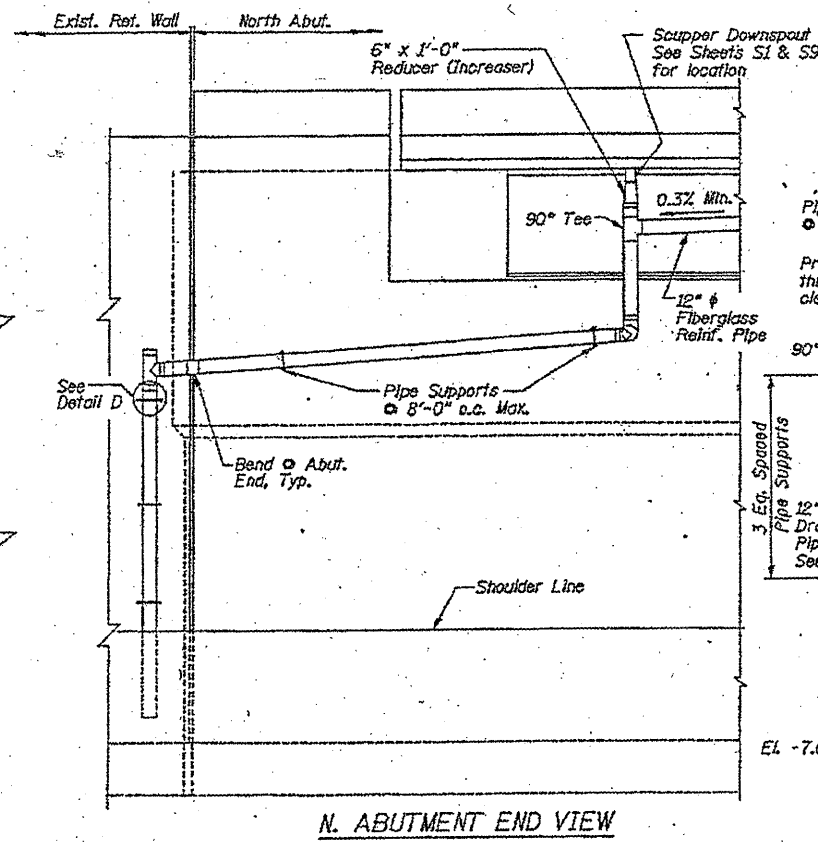
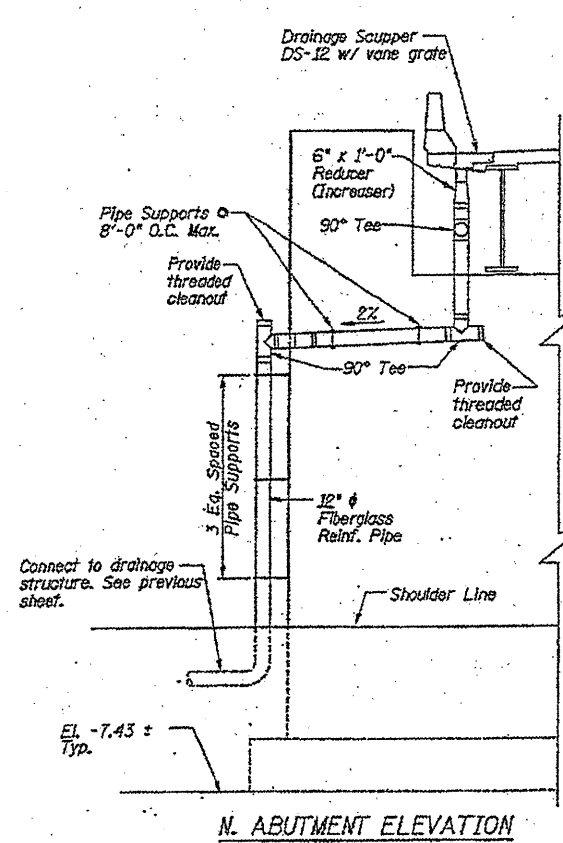
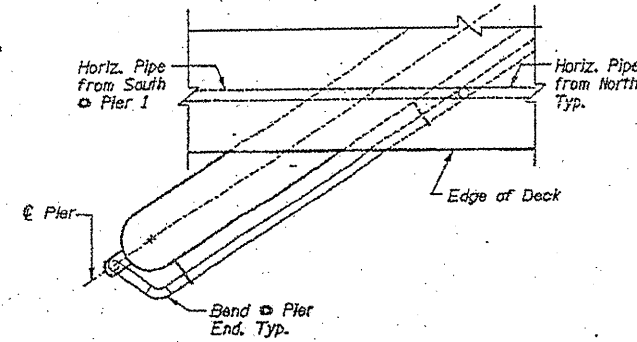


ROUTE	SECTION	COUNTY	TOTAL SHEETS	SHEET NUMBER
VARIOUS	2011-060-BR	COOK	49	15

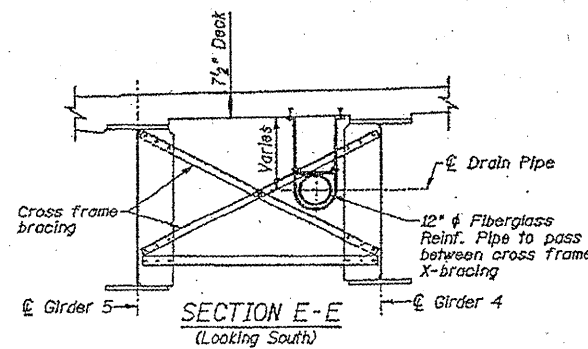
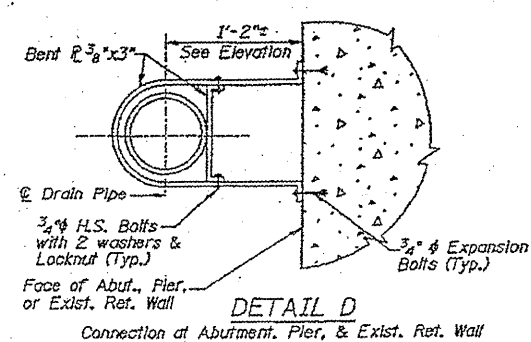
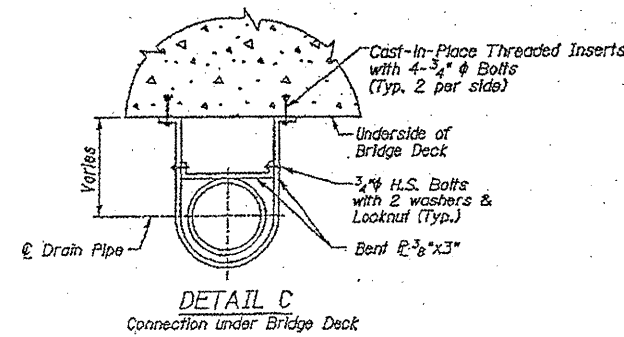


Notes:

1. Fiberglass reinforced pipe, ductile iron pipe, cleanouts, supports & fittings from the downspout to the drainage structure is included in the pay item - Drainage System.
2. All horizontal drainage piping attached to bridge at deck shall be 12" ϕ Fiberglass Reinf. Pipe braced as shown in Detail C at 8'-0" o.c. Max. and at all pipe couplings U.K.O. Min. slope of the pipe shall be 0.3%.
3. The bottom 30' of the exposed vertical drainage pipe shall be ductile iron pipe. Ductile iron pipe shall conform to ASTM A377 and ductile iron fittings (castings) shall conform to ASTM A536. The cost of the ductile iron pipe and supports shall be included in the lump sum price for Drainage System.



PIPING DETAILS (North Abut. West End)
PIPING DETAILS OPP. HAND, SIM. (North Abut. East End)



FOR INFORMATION ONLY

ILLINOIS DEPARTMENT OF
TRANSPORTATION
STRUCTURAL REPAIRS
PLAN & ELEVATION
SN: 016-1007
SHEET 3 OF 3