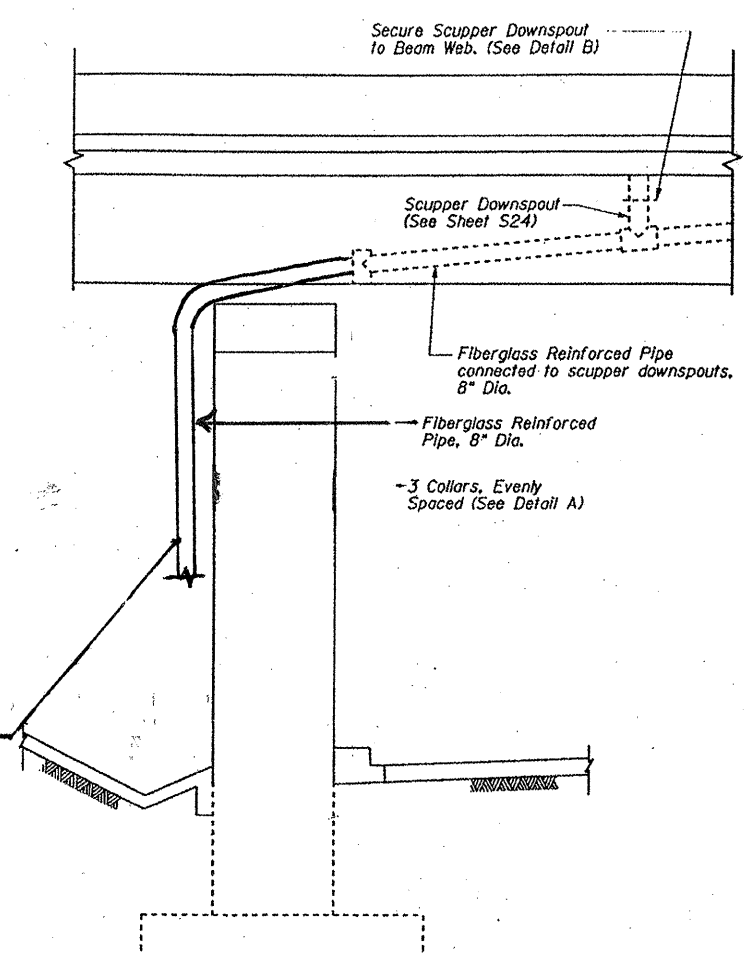
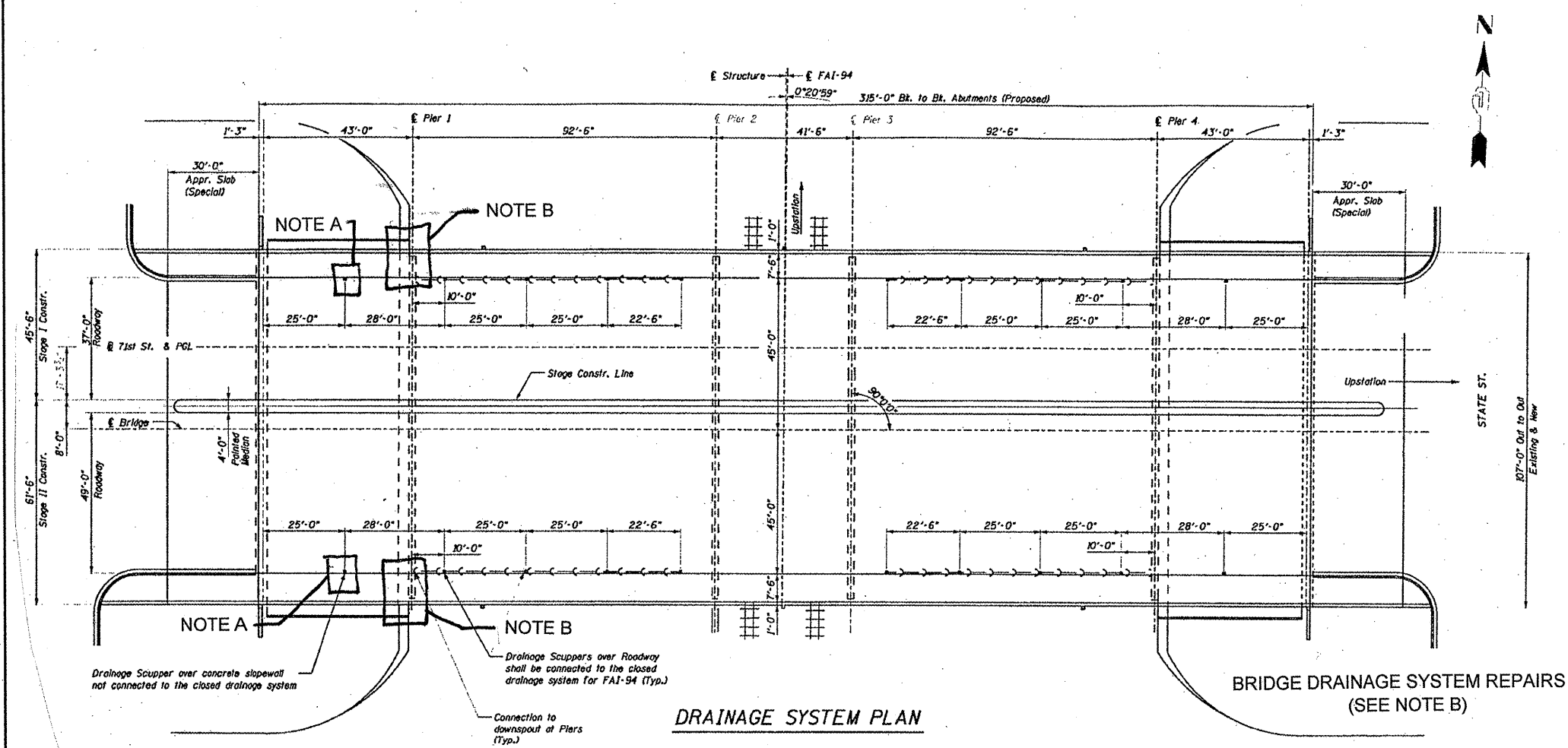
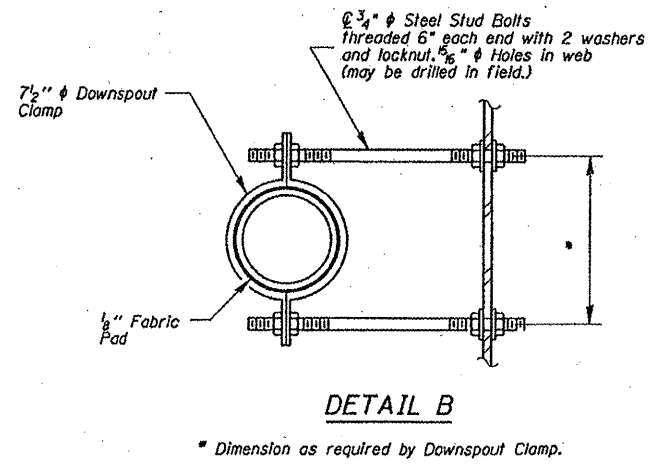
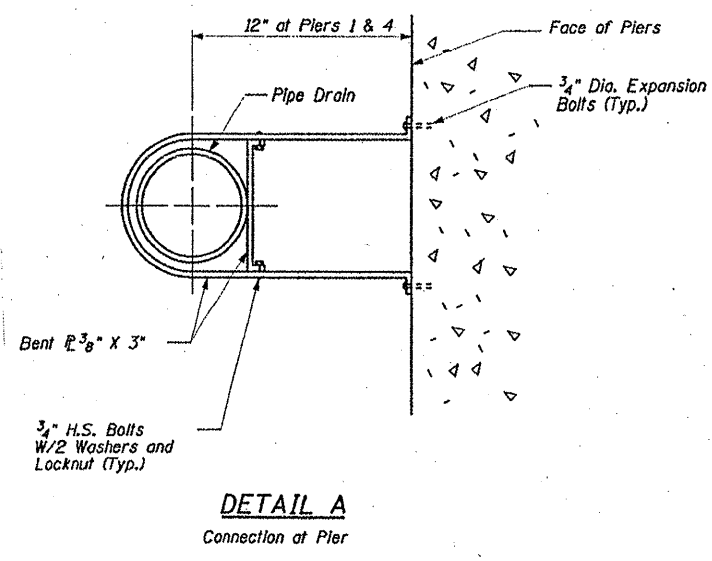


ROUTE VARIOUS	SECTION 2011-060-BR	COUNTY COOK	TOTAL SHEETS 49	SHEET NUMBER 20
------------------	------------------------	----------------	--------------------	--------------------



TOTAL BILL OF MATERIALS

ITEM	UNIT	QUANTITY
BRIDGE DRAINAGE SYSTEM REPAIRS	FOOT	16



- NOTE A: EXTEND DRAIN TO 6 INCHES BELOW BOTTOM FLANGES - COST INCLUDED IN "BRIDGE DRAINAGE SYSTEM REPAIRS"
- NOTE B: REPAIR BOTTOM 8 FT OF DRAIN PIPE ON BOTH NORTH & SOUTH SIDES, WEST SIDE OF PIER 1

ILLINOIS DEPARTMENT OF
TRANSPORTATION
STRUCTURAL REPAIRS
DRAINAGE SYSTEM
SN: 016-1146
SHEET 3 OF 3