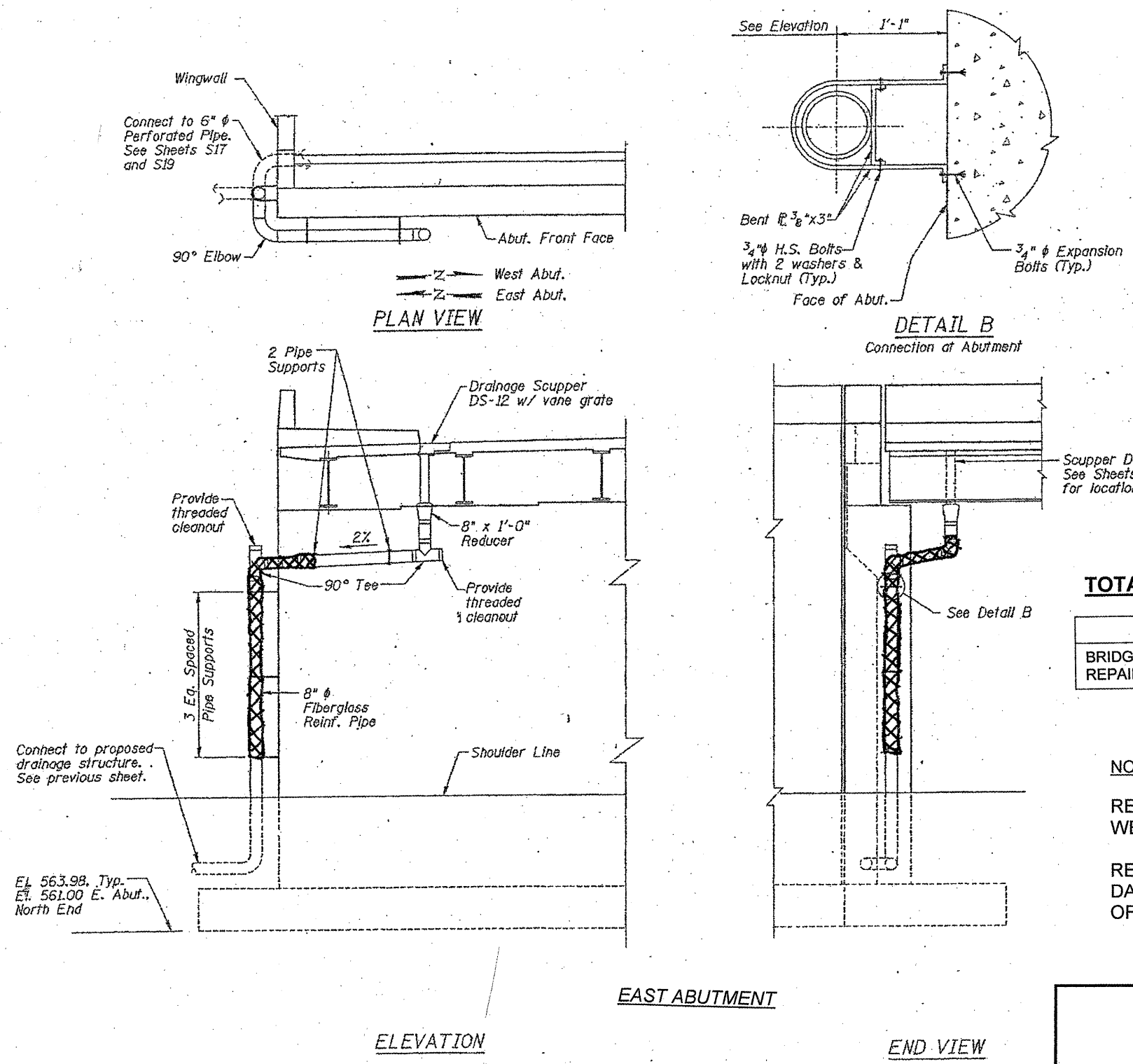


ROUTE	SECTION	COUNTY	TOTAL SHEETS	SHEET NUMBER
VARIOUS	2011-060-BR	COOK	49	24



BRIDGE DRAINAGE SYSTEM REPAIRS



TOTAL BILL OF MATERIALS

ITEM	UNIT	QUANTITY
BRIDGE DRAINAGE SYSTEM REPAIRS	FOOT	15

NOTE:

REALIGNMENT OF PIPES AT SOUTH END OF WEST ABUTMENT.

REPLACE DAMAGED CORNER SECTION AND DAMAGED VERTICAL SECTION AT SOUTH END OF EAST ABUTMENT.

ILLINOIS DEPARTMENT OF TRANSPORTATION
STRUCTURAL REPAIRS
DRAINAGE ELEVATION
 SN: 016-1143
 SHEET 2 OF 2

PIPING DETAILS (West Abut. South End & East Abut. North End)
 PIPING DETAILS OPP. HAND (West Abut. North End & East Abut. South End)