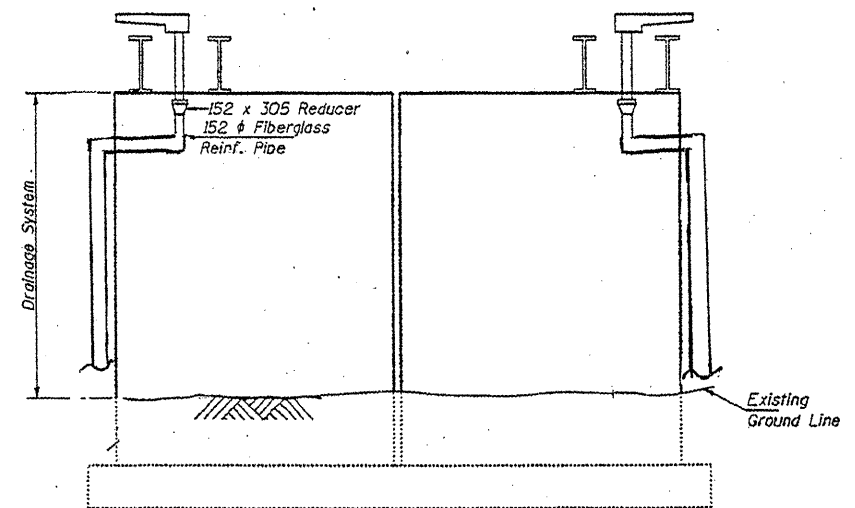
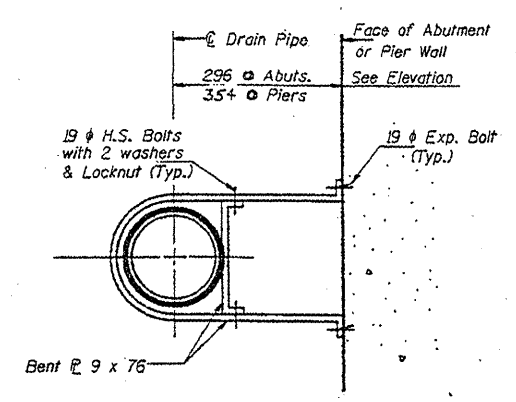


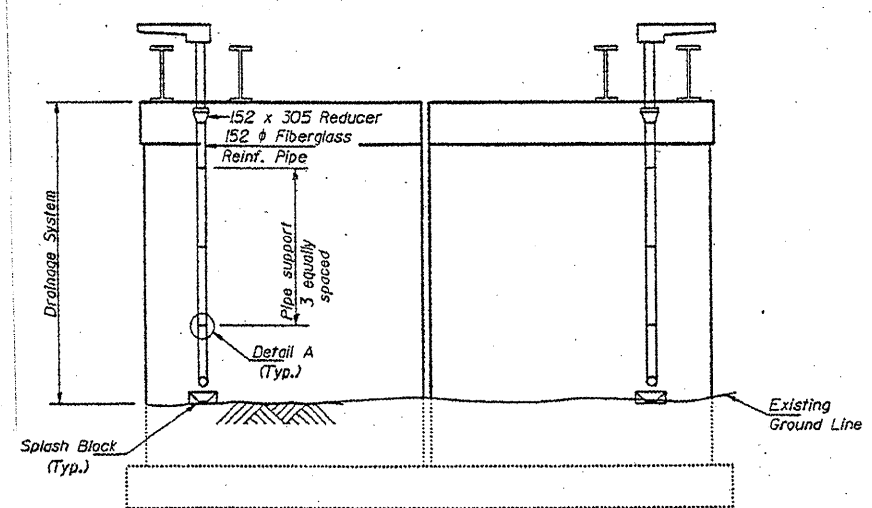
ROUTE	SECTION	COUNTY	TOTAL SHEETS	SHEET NUMBER
VARIOUS	2011-060-BR	COOK	49	26



**ELEVATION
ABUTMENTS**

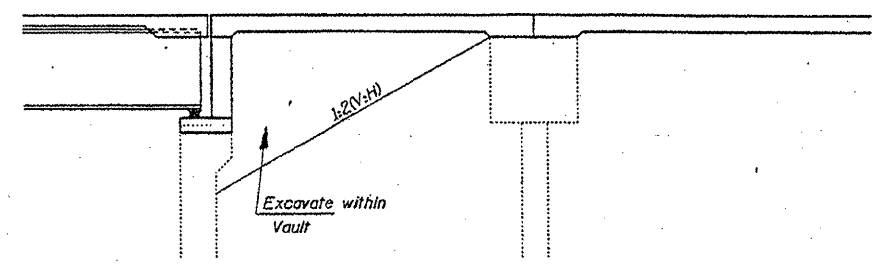


DETAIL A
Connection at Abutment and Pier Wall.



**ELEVATION
PIERS**

For Drainage Scupper Details see shfs. #16 & 17 of 32.



ABUTMENT DETAILS

TOTAL BILL OF MATERIALS

ITEM	UNIT	QUANTITY
BRIDGE DRAINAGE SYSTEM REPAIRS	FOOT	36

- NOTES:**
- REPLACE MISSING RIPE AROUND PIPES AT NW AND SW CORNERS OF WEST ABUTMENT
 - REPLACE BOTTOM 8 FT OF PIPE AT S.E. END OF EAST ABUTMENT
 - REPLACE BOTTOM PIPE ELBOW AT N.E. END OF EAST ABUTMENT
- COST OF ALL REPAIRS INCLUDED IN "BRIDGE DRAINAGE SYSTEM REPAIRS"

**ILLINOIS DEPARTMENT OF
TRANSPORTATION
STRUCTURAL REPAIRS
DRAINAGE ELEVATION
SN: 016-1142
SHEET 2 OF 2**