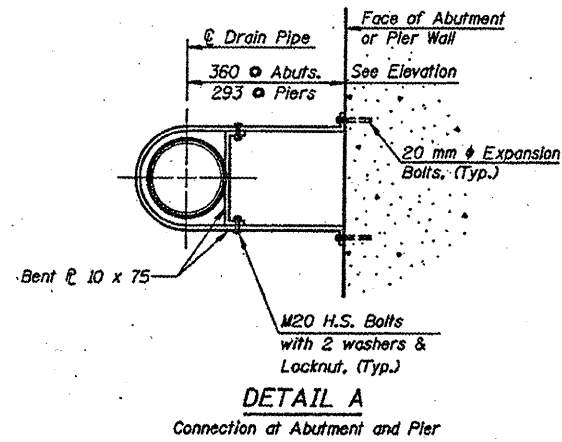
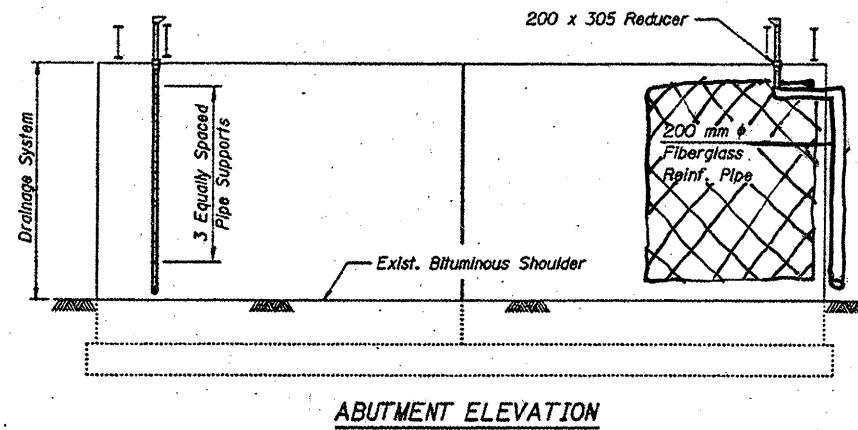


<b>ROUTE</b>	<b>SECTION</b>	<b>COUNTY</b>	<b>TOTAL SHEETS</b>	<b>SHEET NUMBER</b>
VARIOUS	2011-060-BR	COOK	49	28



 STRUCTURAL REPAIR OF CONCRETE ≤ 5 INCHES



**TOTAL BILL OF MATERIALS**

ITEM	UNIT	QUANTITY
STRUCTURAL REPAIR OF CONCRETE ≤ 5 INCHES	SQ FT	120
BRIDGE DRAINAGE SYSTEM REPAIRS	FOOT	3

**NOTE:**

REPLACE DRAIN PIPE ELBOW AT SE CORNER OF EAST ABUTMENT, COST INCLUDED IN "BRIDGE DRAINAGE SYSTEM REPAIRS"

ILLINOIS DEPARTMENT OF  
TRANSPORTATION  
STRUCTURAL REPAIRS  
PIER & ABUTMENT ELEVATIONS  
SN: 016-0437  
SHEET 2 OF 2