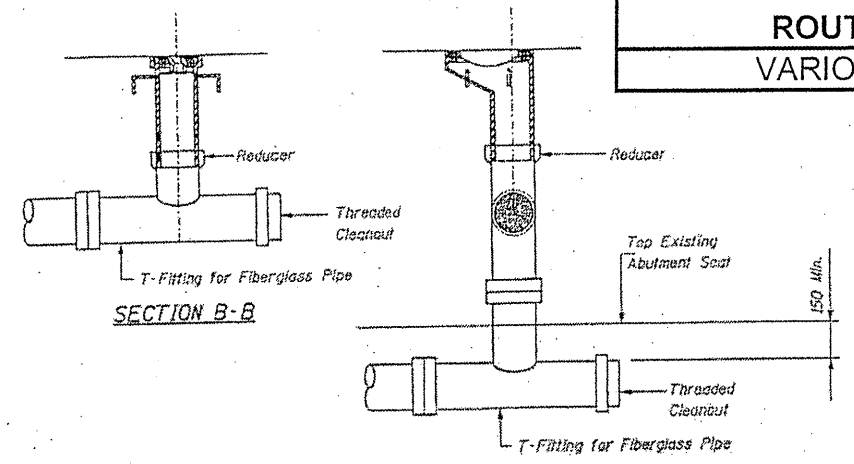


ROUTE VARIOUS	SECTION 2011-060-BR	COUNTY COOK	TOTAL SHEETS 49	SHEET NUMBER 34
------------------	------------------------	----------------	--------------------	--------------------



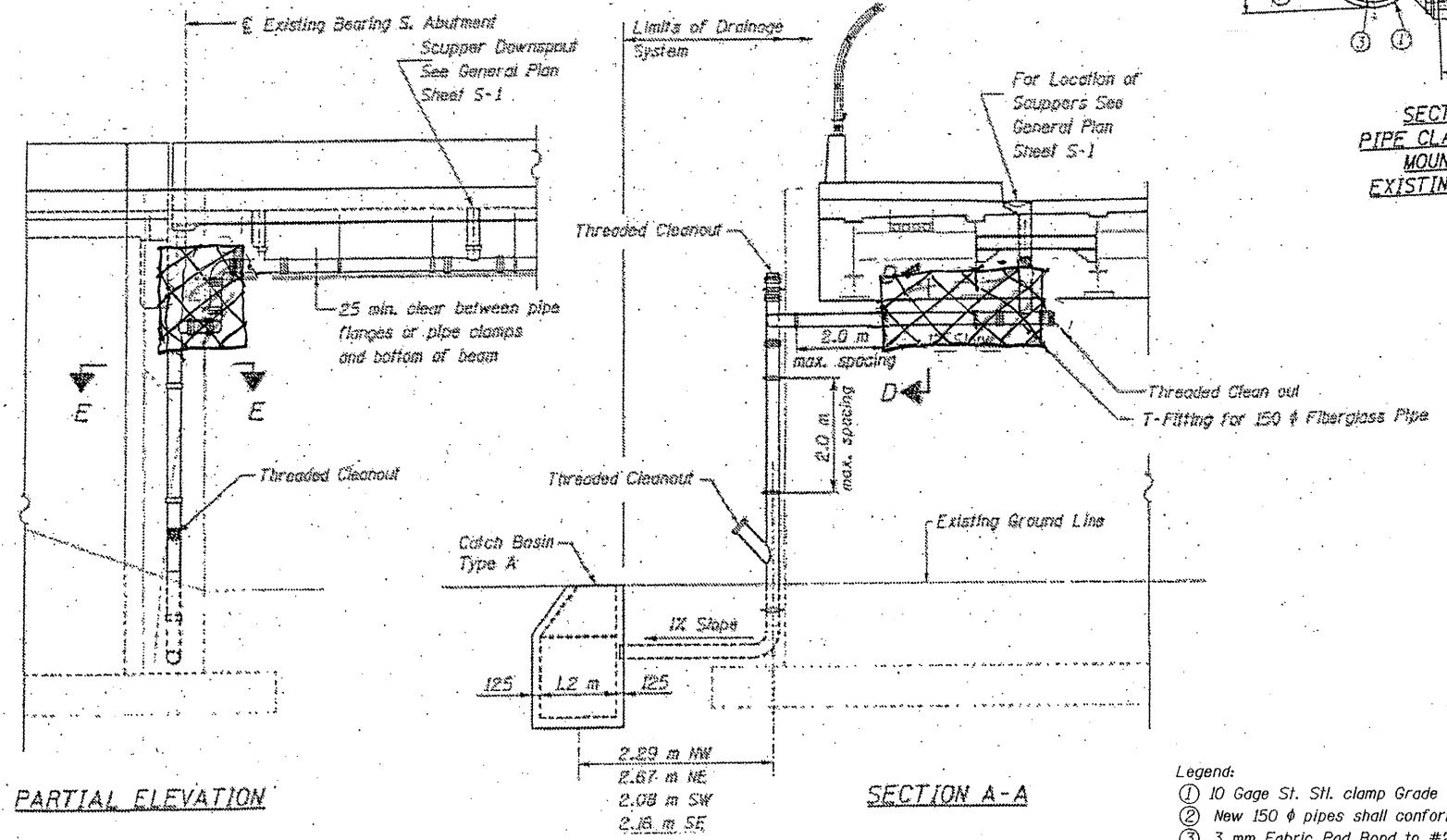
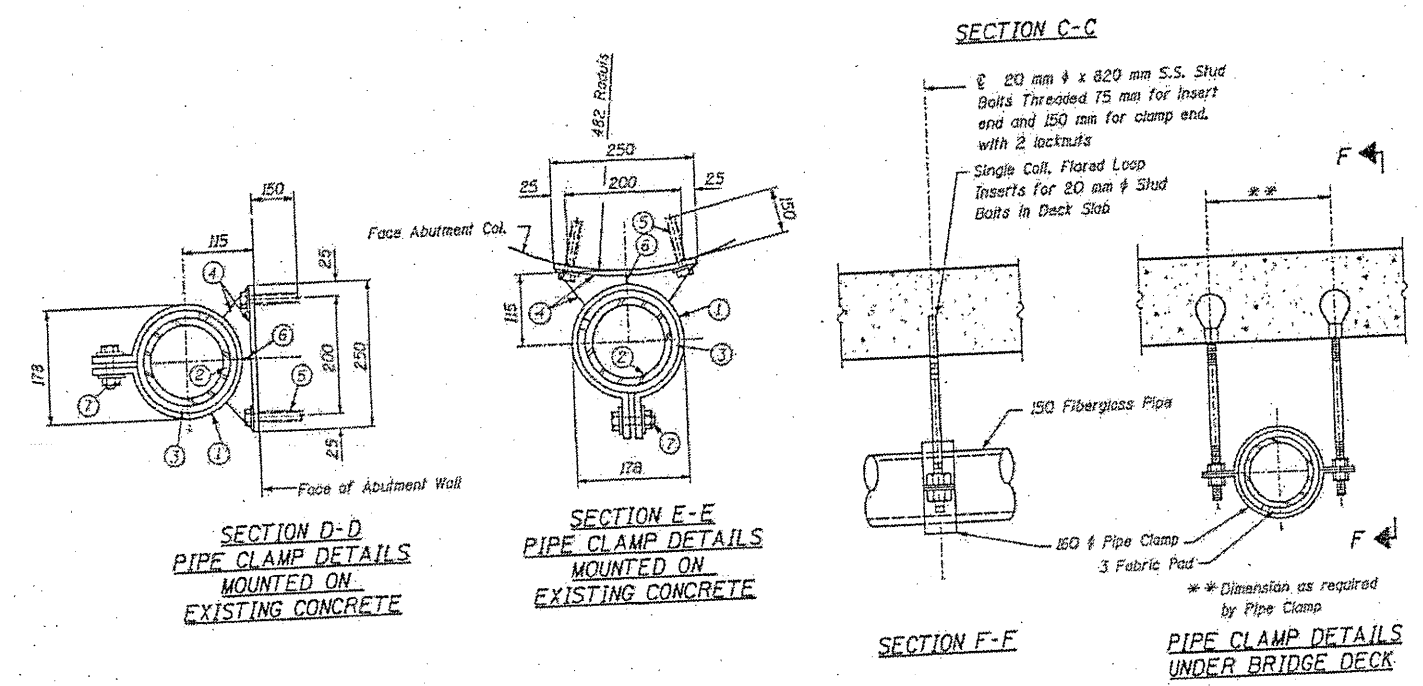
Fiberglass pipe shall conform to ASTM D2996, with short-time rupture strength hoop tensile stress of 200 MPa minimum. The surface of the Fiberglass pipe shall be free of bond inhibiting agents.

The exterior surfaces of the Fiberglass pipe shall be coated by the manufacturer with a pigment that matches the color of the concrete.

The clamping device and inserts shall be galvanized according to AASHTO M 232.

All dimensions are in millimeters (mm) except as noted.

LOCATION OF BRIDGE DRAINAGE SYSTEM REPAIRS



**TOTAL BILL OF MATERIALS**

ITEM	UNIT	QUANTITY
BRIDGE DRAINAGE SYSTEM REPAIRS	FOOT	19

**NOTE:**  
BRIDGE DRAINAGE SYSTEM REPAIRS EAST END OF SOUTH ABUTMENT (REPLACE DAMAGED SECTIONS)

- Legends:**
- ① 10 Gage St. SH. clamp Grade 304.
  - ② New 150 φ pipes shall conform to ASTM D2996.
  - ③ 3 mm Fabric Pad Bond to #2. Place at all Clamp Locations.
  - ④ Bent Anchor PL.-7 Gage St. SH. Grade 304.
  - ⑤ 20 φ Threaded Stainless Steel Anchor Rod & Nut (with flat washer & lock washer) Epoxy Grouted.
  - ⑥ 7 Gage St. SH. Gusst Pl. Weld to #1 & 4.
  - ⑦ 25 φ x 25 mm Lg. St. SH. Hex Head Bolt with Nut & Lock Washer.

**ILLINOIS DEPARTMENT OF  
TRANSPORTATION  
STRUCTURAL REPAIRS  
DRAINAGE ELEVATION  
SN: 016-2036  
SHEET 2 OF 2**