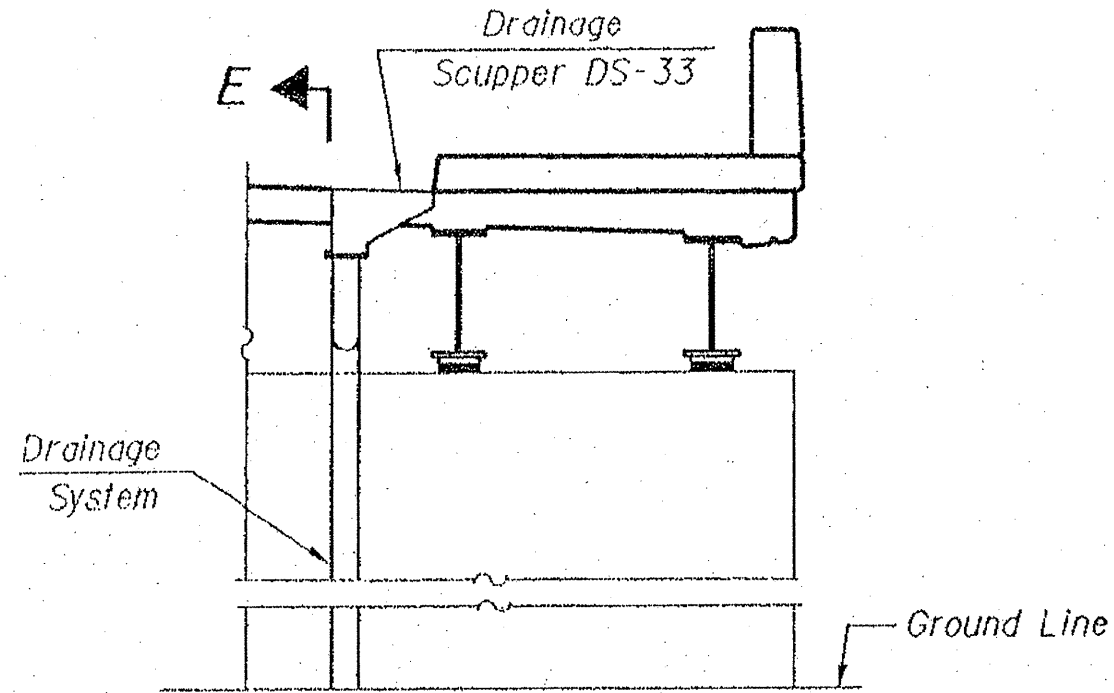
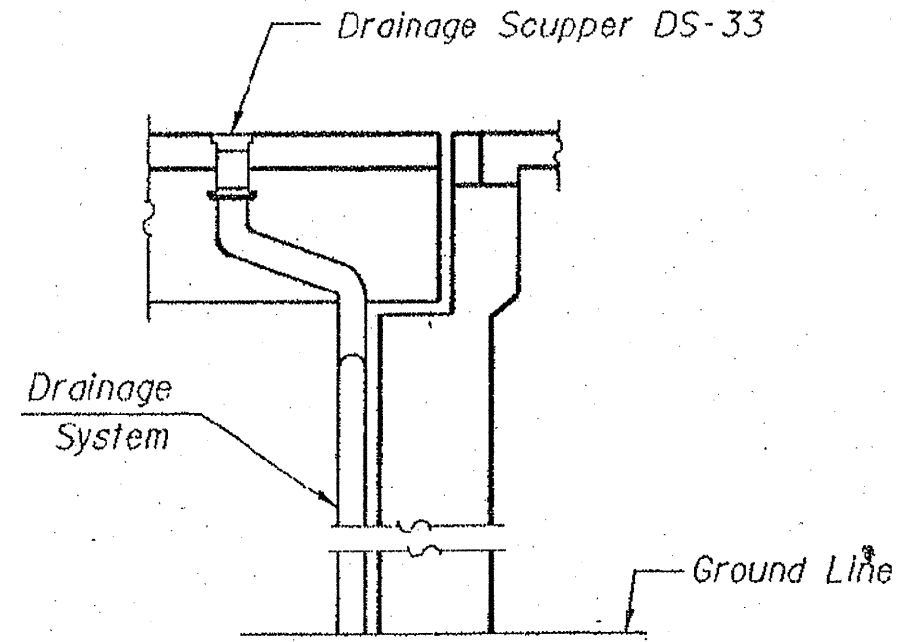


ROUTE	SECTION	COUNTY	TOTAL SHEETS	SHEET NUMBER
VARIOUS	2011-060-BR	COOK	49	39

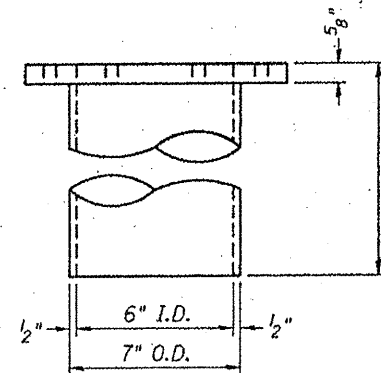


ABUTMENT ELEVATION



SECTION E-E

DRAINAGE SYSTEM LAYOUT



DOWNSPOUT

TOTAL BILL OF MATERIALS

ITEM	UNIT	QUANTITY
BRIDGE DRAINAGE SYSTEM REPAIRS	FOOT	33

NOTE:

- BRIDGE DRAINAGE SYSTEM REPAIRS NORTH AND SOUTH END OF EAST ABUTMENT
- REPLACE BOTTOM 8 FT OF DRAIN PIPE AT NE & SE CORNERS WITH DUCTILE IRON PIPES.
- AT NE CORNER REPLACE TOP 10 FT WITH FIBERGLASS PIPE.

ILLINOIS DEPARTMENT OF
TRANSPORTATION
STRUCTURAL REPAIRS
PLAN & ELEVATION
SN: 016-2031
SHEET 3 OF 3