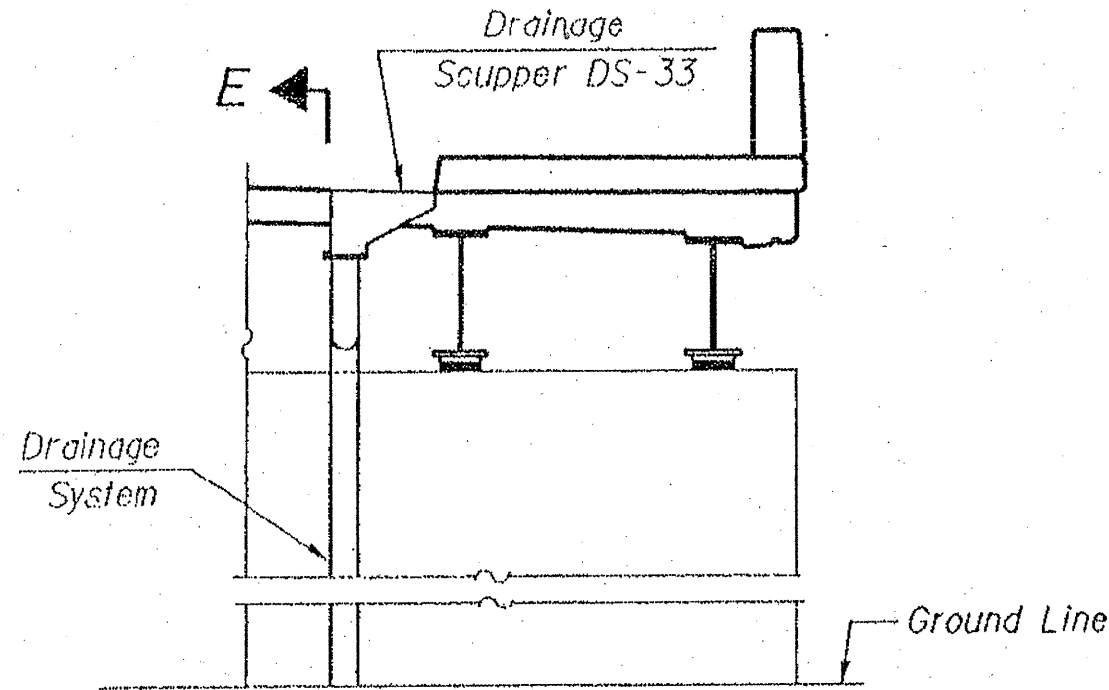
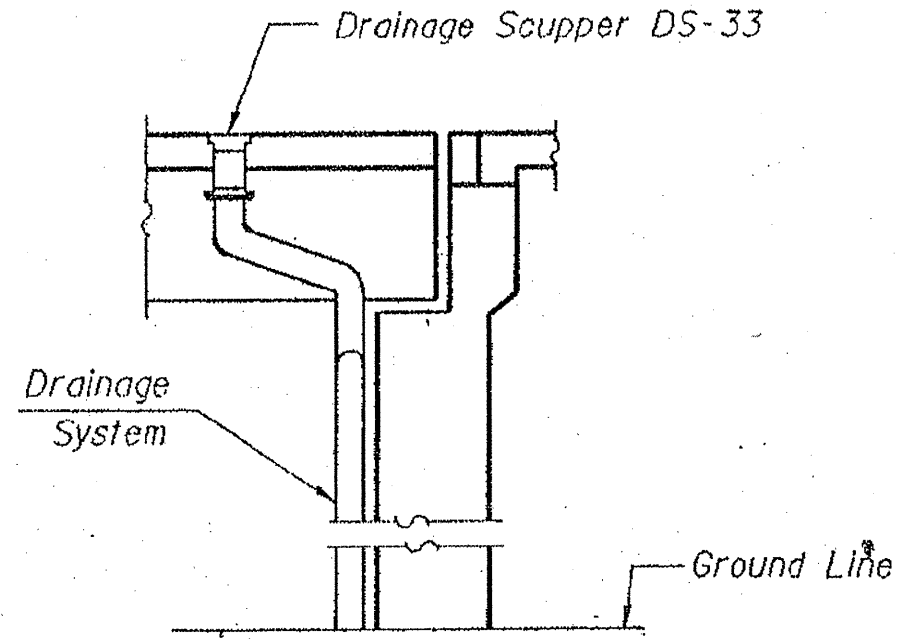


ROUTE VARIOUS	SECTION 2011-060-BR	COUNTY COOK	TOTAL SHEETS 43	SHEET NUMBER 42
------------------	------------------------	----------------	--------------------	--------------------

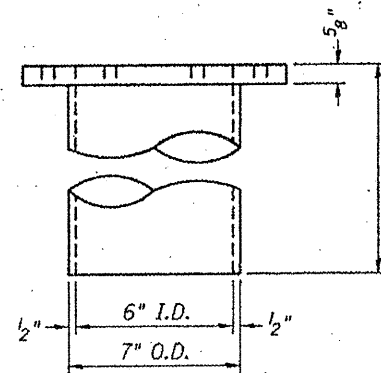


ABUTMENT ELEVATION



SECTION E-E

DRAINAGE SYSTEM LAYOUT



DOWNSPOUT

TOTAL BILL OF MATERIALS

ITEM	UNIT	QUANTITY
BRIDGE DRAINAGE SYSTEM REPAIRS	FOOT	20

NOTE:

- BRIDGE DRAINAGE SYSTEM REPAIRS WEST AND EAST END OF SOUTH ABUTMENT
- REPLACE BOTTOM 8 FT OF DRAIN PIPE WITH DUCTILE IRON PIPES.

ILLINOIS DEPARTMENT OF
TRANSPORTATION
STRUCTURAL REPAIRS
PLAN & ELEVATION
SN: 016-2032
SHEET 3 OF 3