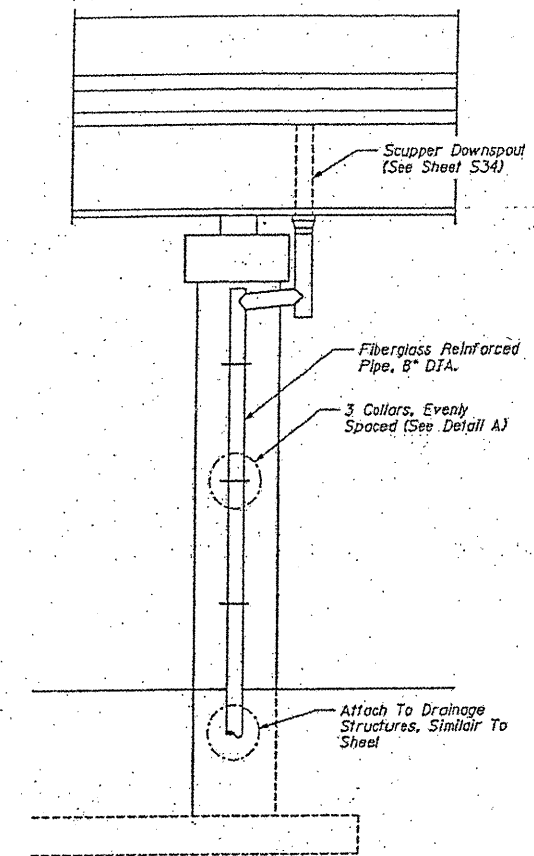
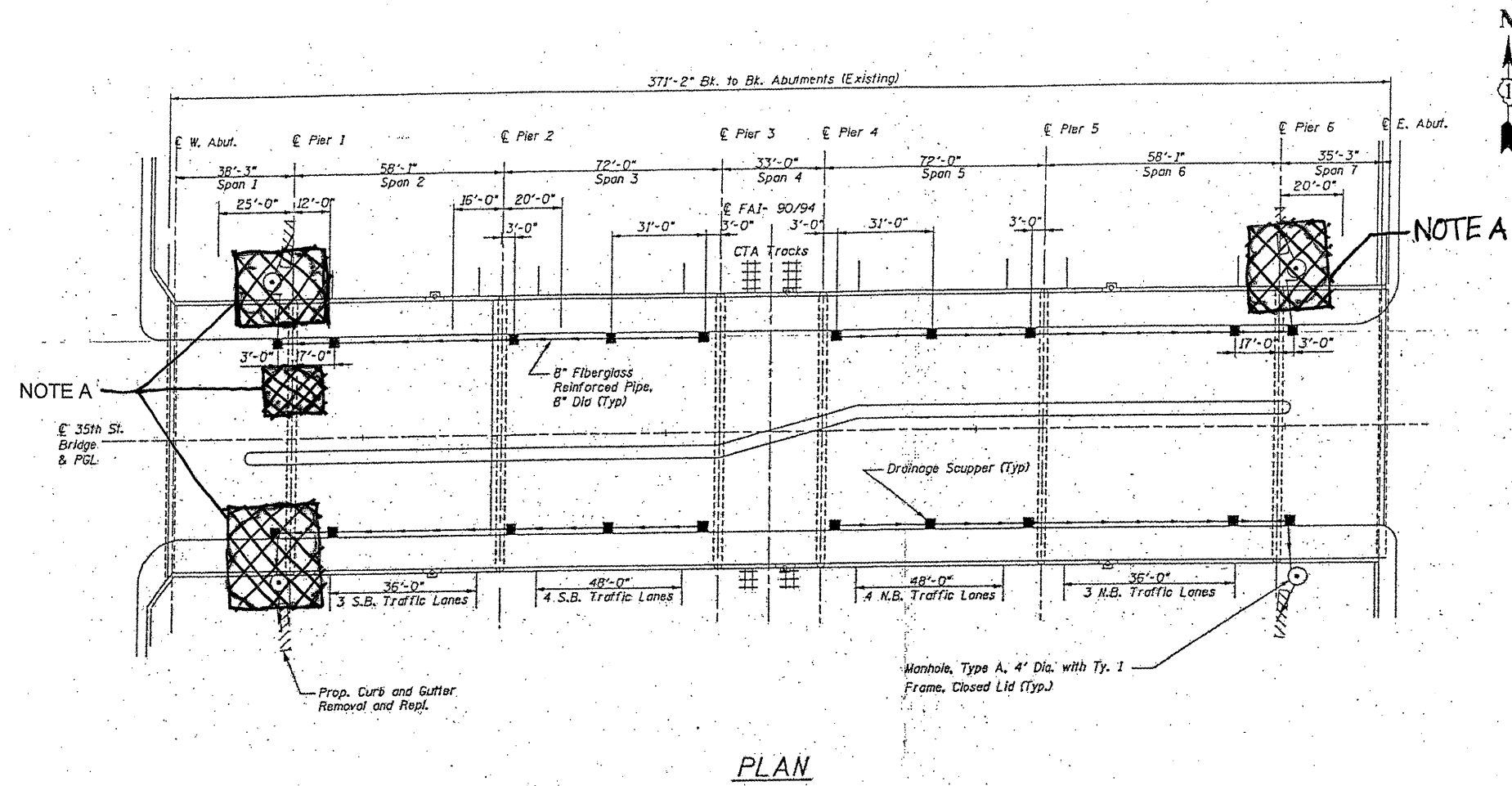


ROUTE	SECTION	COUNTY	TOTAL SHEETS	SHEET NUMBER
VARIOUS	2011-060-BR	COOK	49	48

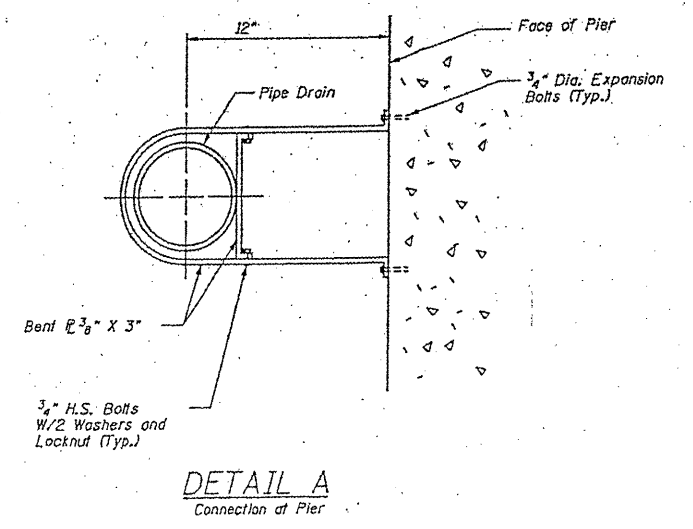


END VIEW
At Pier

PLAN

TOTAL BILL OF MATERIALS

ITEM	UNIT	QUANTITY
BRIDGE DRAINAGE SYSTEM REPAIRS	FOOT	26



DETAIL A
Connection of Pier

NOTE A: REPLACE DAMAGED SECTIONS

ILLINOIS DEPARTMENT OF
 TRANSPORTATION
 STRUCTURAL REPAIRS
 PLAN & SECTIONS
 SN: 016-1160
 SHEET 2 OF 2