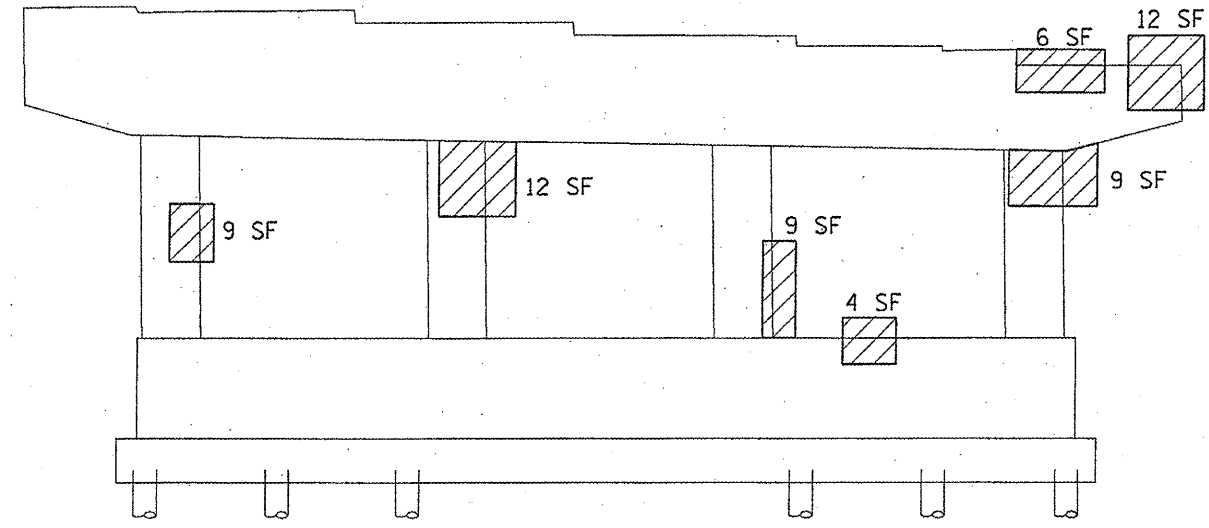
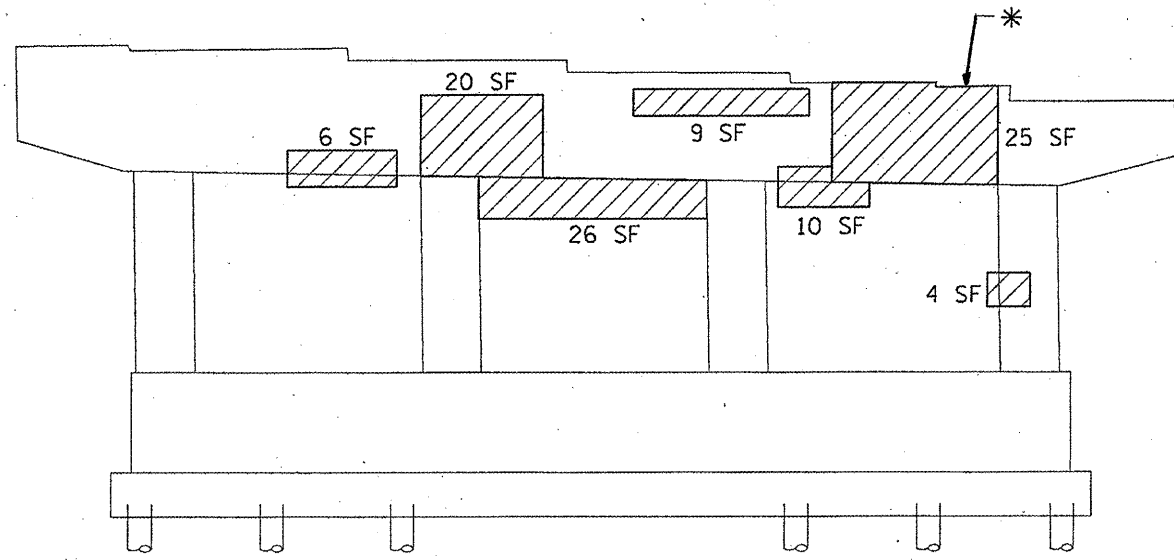


ROUTE	SECTION	COUNTY	TOTAL SHEETS	SHEET NUMBER
FAI 290	2011-061-BR	COOK & DUPAGE	29	12

Contract 60P79



PIER 1 (SOUTH FACE)



PIER 1 (NORTH FACE)

* TEMPORARY SUPPORT SYSTEM

TOTAL BILL OF MATERIAL SN 022-0115	UNIT	QUANTITY
STRUCTURAL REPAIR OF CONCRETE ≤ 5"	SQ. FT.	1040
STRUCTURAL REPAIR OF CONCRETE > 5"	SQ. FT.	17
TEMPORARY SHORING AND CRIBBING	EACH	7

TABLE OF REACTIONS (SN 022-0115)

	D.L. (Kips)	S.D.L. (Kips)	L.L. (Kips)	Imp. (Kips)	TOTAL (Kips)
South Abutment	19.8	10.0	41.6	12.2	83.6
South Bridge Pier 1	19.8	10.0	41.6	12.2	83.6
North Bridge Pier 1	21.5	10.7	42.3	12.2	86.7
South Bridge Pier 2	21.5	10.7	42.3	12.2	86.7
North Bridge Pier 2	27.9	13.0	44.1	12.0	97.0
South Bridge Pier 3	27.9	13.0	44.1	12.0	97.0
North Bridge Pier 3	34.1	14.6	45.0	11.7	105.4
North Abutment	34.1	14.6	45.0	11.7	105.4

BILL OF MATERIAL PIER 1	UNIT	QUANTITY
STRUCTURAL REPAIR OF CONCRETE ≤ 5"	SQ. FT.	161
TEMPORARY SHORING AND CRIBBING	EACH	1

STRUCTURAL REPAIR OF CONCRETE ≤ 5"

ILLINOIS DEPARTMENT OF
TRANSPORTATION
SN 022-0015
LOCATION NO. 1
RAMP A-OVER IL 64 (NORTH AVE.)
PIER 1