

BILL OF MATERIALS

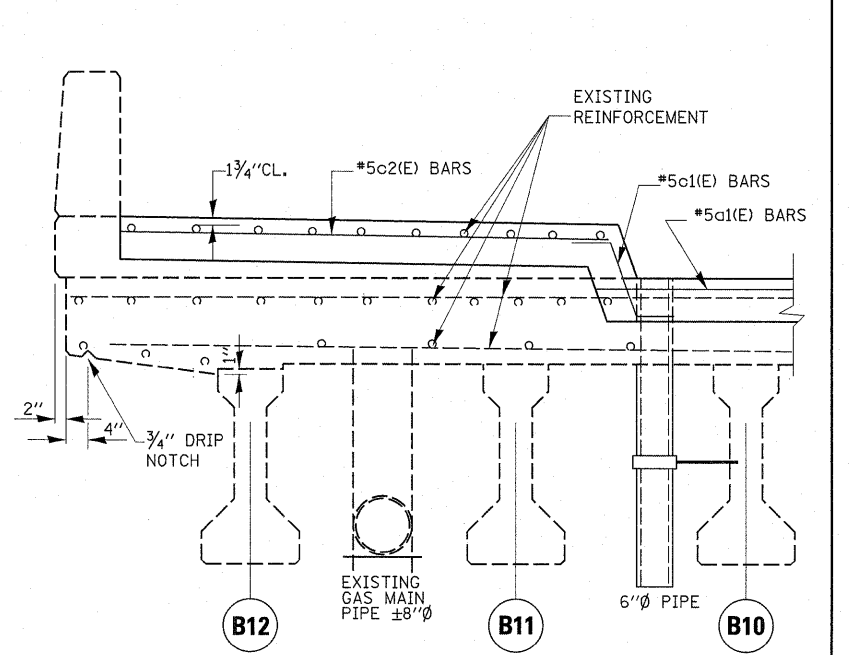
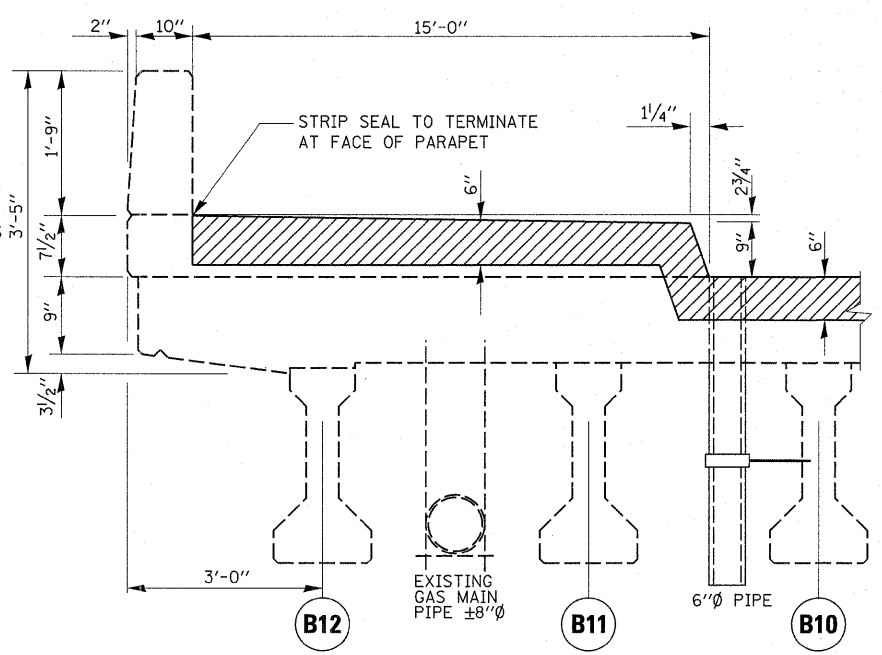
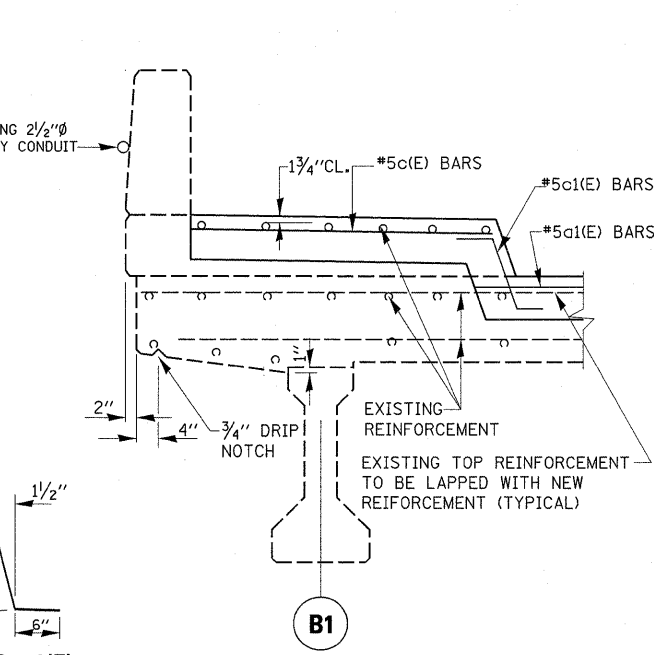
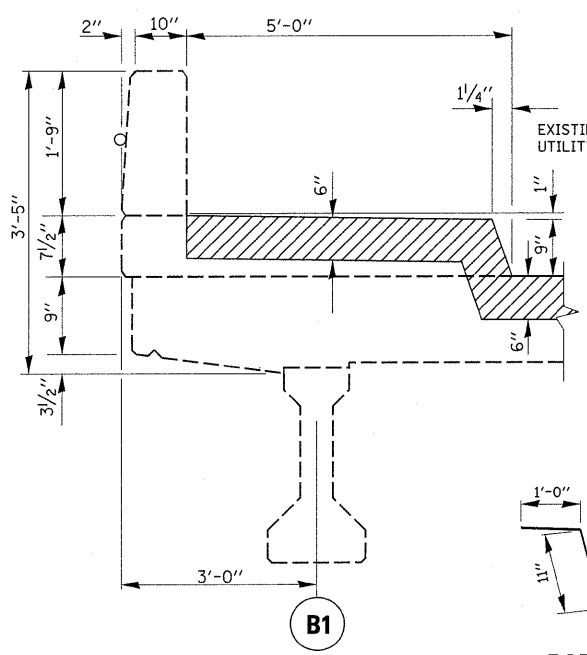
BAR	NO.	SIZE	LENGTH	SHAPE	
a1(E)	8	#5	19'-9"		
c(E)	4	#5	5'-5"		
c1(E)	8	#5	2'-5"		
c2(E)	4	#5	17'-0"		
h(E)	8	#6	20'-0"		
REINFORCEMENT BARS (EPOXY COATED)				POUND	520
CONCRETE REMOVAL				CU.YD.	3.3
CONCRETE SUPERSTRUCTURE				CU.YD.	3.1
BAR SPLICERS				EACH	4

BARS INDICATED THUS 2x2-#5 ETC. INDICATES 2 LINES OF BARS WITH 2 LENGTHS PER LINE.

MINIMUM BAR LAP

SIZE	LAP
#5	2'-2"
#6	2'-7"

LEGEND:
 HATCHED AREA INDICATES CONCRETE REMOVAL



FILE NAME = USER NAME = gorengoutab
 c:\pwwork\p\dott\gorengoutab\d0101671\06-2554.dgn
 PLOT SCALE = 50.0000' / in.
 PLOT DATE = 10/8/2011

DESIGNED - MT
 DRAWN - MT
 CHECKED - RB
 DATE - 9-26-2011

STATE OF ILLINOIS
 DEPARTMENT OF TRANSPORTATION

111TH STREET OVER STONEY CREEK
 TRANVERSE EXPANSION JOINT DETAILS WEST ABUTMENT
 S.N. 016-2554

F.A.U. RTE. 1581 SECTION 1355-B-1 COUNTY COOK TOTAL SHEETS 23 SHEET NO. 5 CONTRACT NO. 60P80 ILLINOIS FED. AID PROJECT