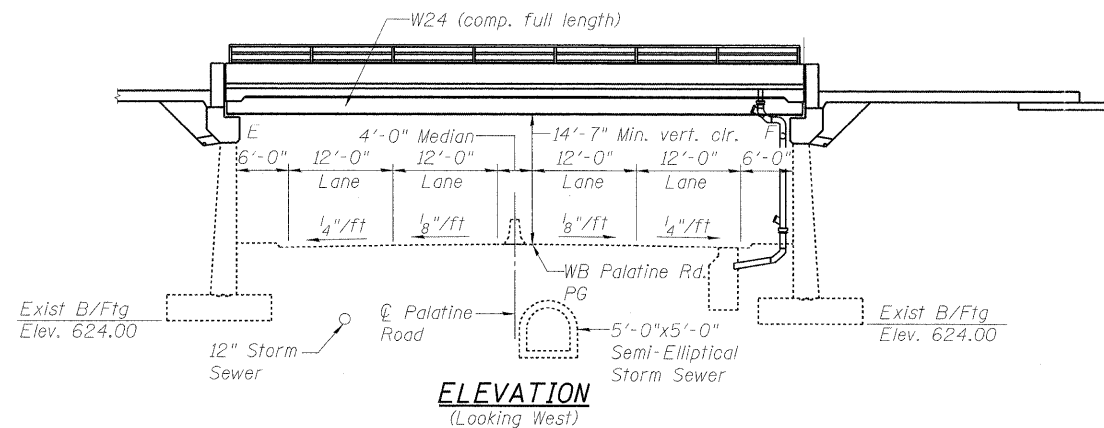


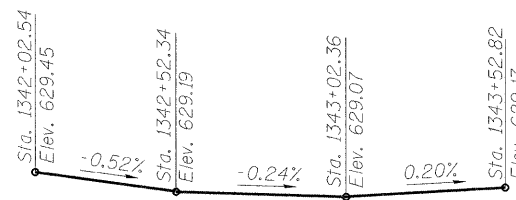
Benchmark: Chiseled "X" in N.W. bolt of "Wolf Rd." exit sign located on the north side of Palatine Rd. and east of Wolf Rd. - Elev. = 648.63

Existing Structure: Structure No. 016-0680 built as Wolf Road over Palatine Road, Section 110-1415 in 1963 by the Cook County Highway Department. The length of the structure is 66'-2" center to center of bearings. The superstructure consists of 33"x36" PPC Deck Beams. The existing deck is 70'-0" out to out of deck. In 2006, 6 PPC Deck Beams, the sidewalks and concrete pedestrian rail were removed and replaced. Also in 2006, the bituminous wearing surface was replaced with a concrete wearing surface. Traffic to be maintained utilizing stage construction.

Salvage: Existing pedestrian bridge railing.

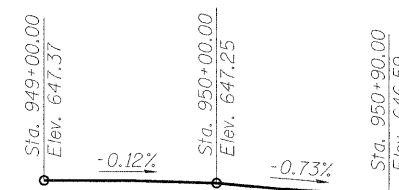


ELEVATION
(Looking West)



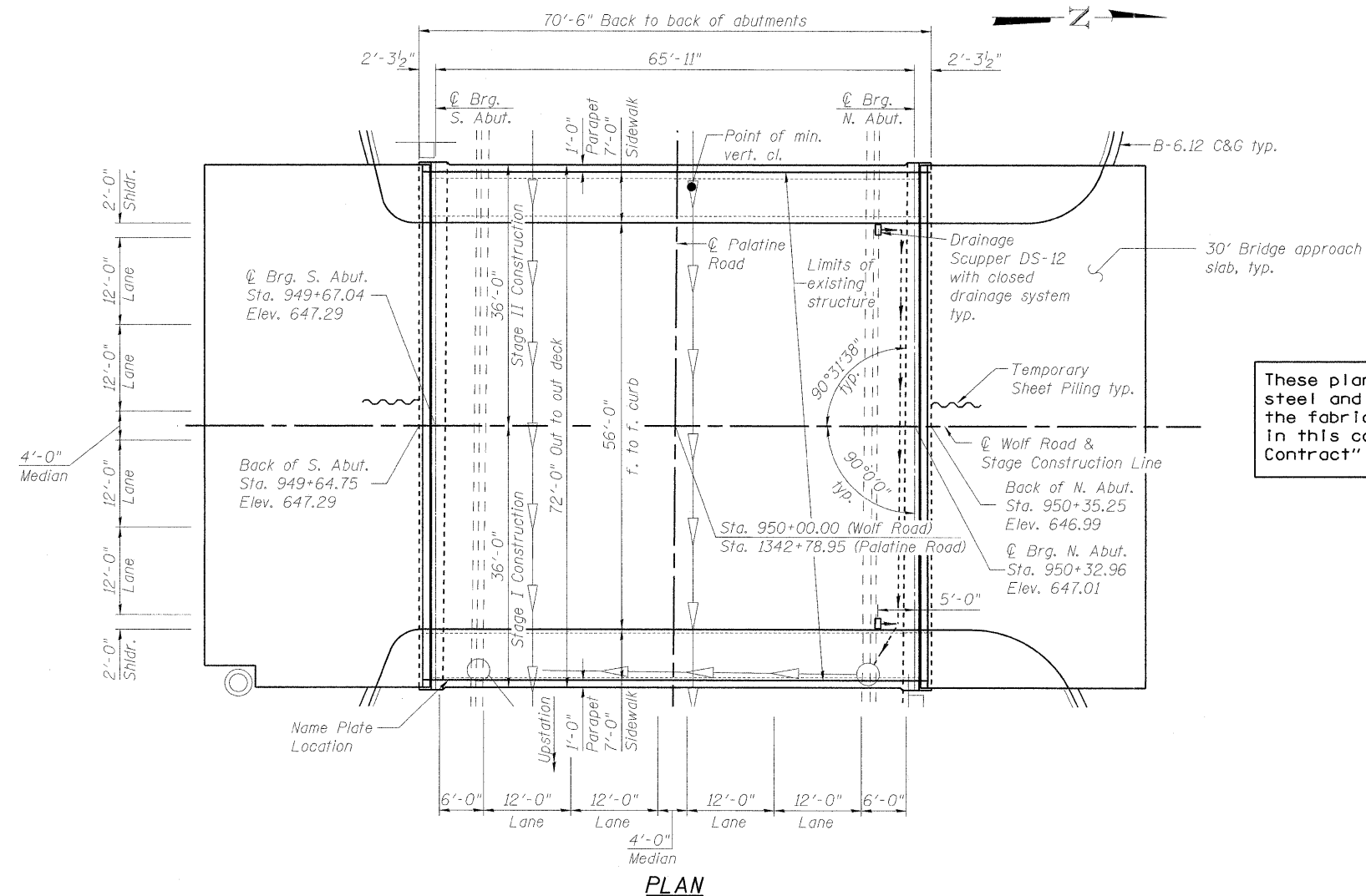
PROFILE GRADE
PALATINE RD

(Westbound Palatine Road PGL)



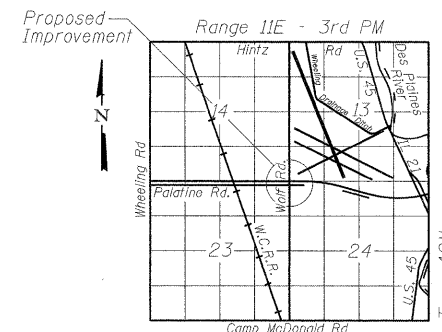
PROFILE GRADE
WOLF RD

(Along Roadway)



PLAN

These plans are for the fabrication of the structural steel and bearings. All work shown that is not related to the fabrication is for information only. It is not included in this contract, and is identified as "Not Included in this Contract" or "For Information only"



LOCATION SKETCH



APPROVED
FOR STRUCTURAL ADEQUACY ONLY

Brad H. Sayers
BRAD H. SAYERS, S.E.
IL. LIC. NO. 081-006267

EXP 11/30/12
DATE 10/15/11

GENERAL PLAN & ELEVATION
WOLF ROAD OVER PALATINE ROAD
F.A.U. 2692 - SEC. 2011-205-F
COOK COUNTY
STATION 950+00.00
STRUCTURE NO. 016-0680

FILE NAME: G:\proj\sect\2012\2155_00\1\CAD\01\Structure\01\0160680-001.dwg



| | | |
|------------------------|----------------|-----------|
| USER NAME = 2sayerb | DESIGNED - BPS | REVISED - |
| PLOT SCALE = N/A | CHECKED - BHS | REVISED - |
| PLOT DATE = 10/15/2011 | DRAWN - BPS | REVISED - |
| | CHECKED - BHS | REVISED - |

STATE OF ILLINOIS
DEPARTMENT OF TRANSPORTATION

GENERAL PLAN AND ELEVATION
S.N. 016-0680
SHEET NO. S1 OF 29 SHEETS

| F.A.U. RTE. | SECTION | COUNTY | TOTAL SHEETS | SHEET NO. |
|--------------------|------------|--------|---------------------------|-----------|
| 2692 | 2011-205-F | COOK | 17 | 3 |
| CONTRACT NO. 60R35 | | | ILLINOIS FED. AID PROJECT | |