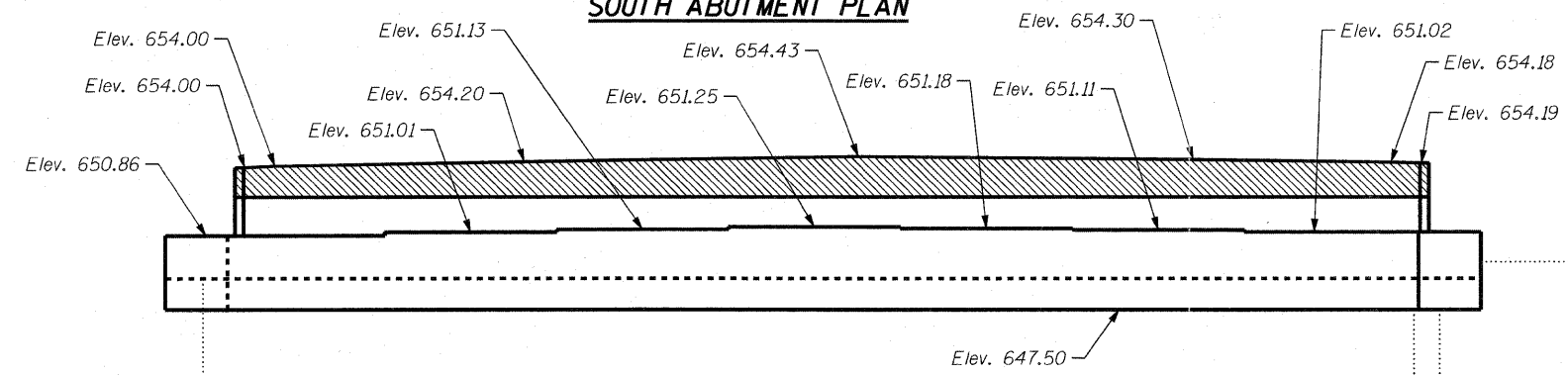
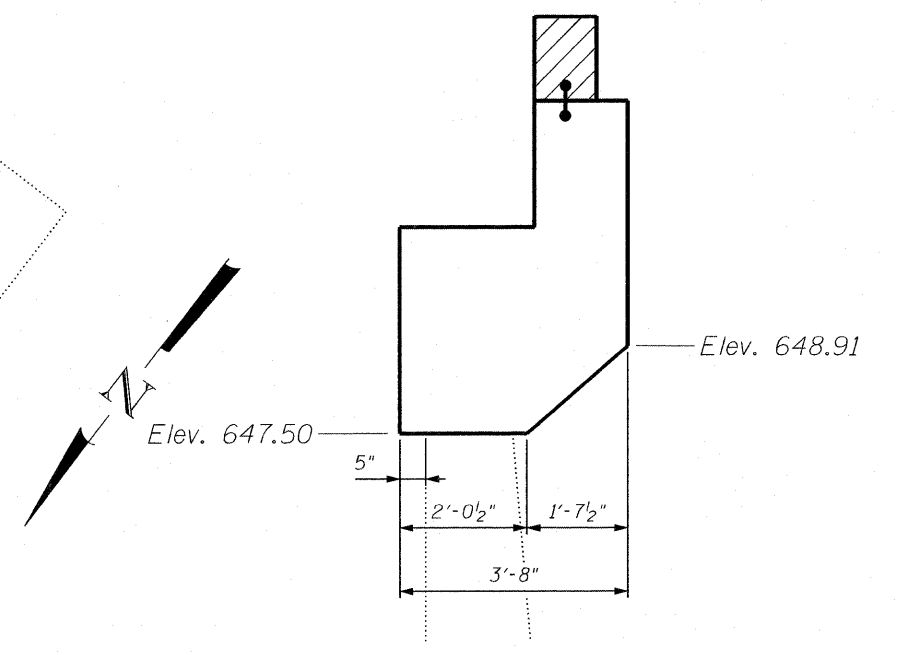


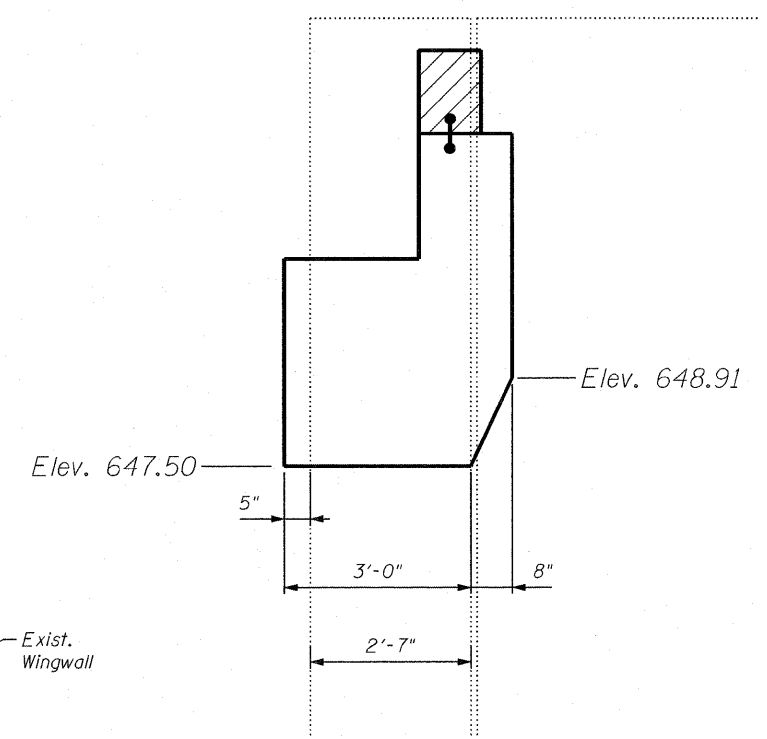
SOUTH ABUTMENT PLAN



SOUTH ABUTMENT ELEVATION



SECTION THRU ABUTMENT CAP



SECTION THRU ABUTMENT CAP AT WINGWALL

APEX
CONSULTING ENGINEERS, LLC
111 E. Wacker Drive, Suite 520
Chicago, IL 60601
Phone (312) 977-0660 Fax (312) 977-0661

USER NAME =
DESIGNED - HAA
CHECKED - RAD
PLOT SCALE =
DRAWN - HAA
PLOT DATE = 10/13/2011
CHECKED - RAD

REVIS
REVISED
REVISED
REVISED

STATE OF ILLINOIS
DEPARTMENT OF TRANSPORTATION

SOUTH ABUTMENT PLAN AND ELEVATION
STRUCTURE NO. 016-0772
SHEET NO. S19 OF S33 SHEETS

F.A.U. RTE.	SECTION	COUNTY	TOTAL SHEETS	SHEET NO.
2845	2011-206-F	COOK	18	11
CONTRACT NO. 60R36			[ILLINOIS] FED. AID PROJECT	

FOR INFORMATION ONLY