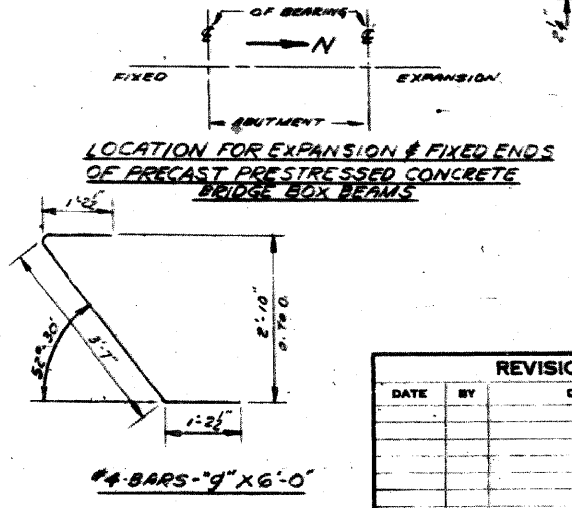
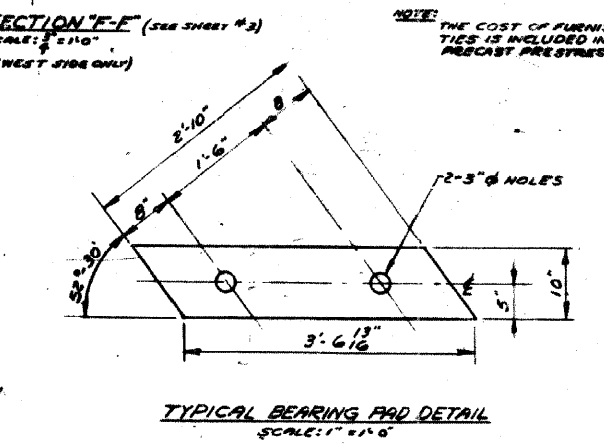
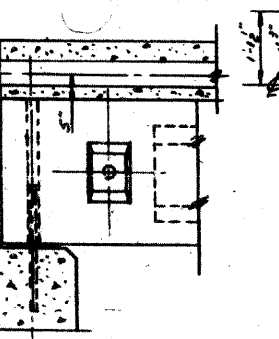
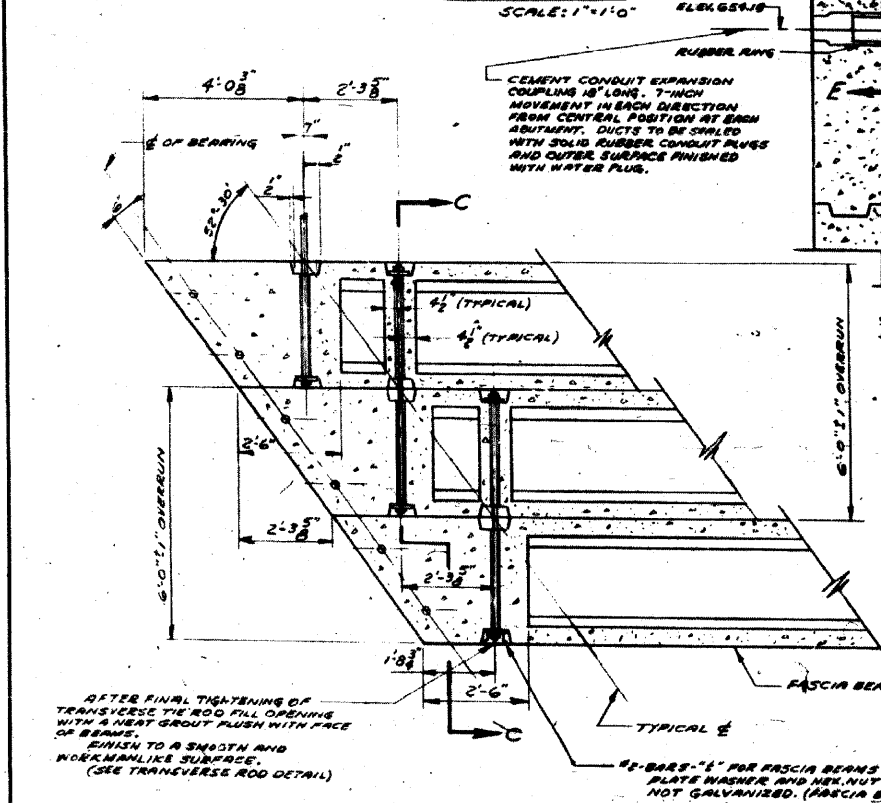
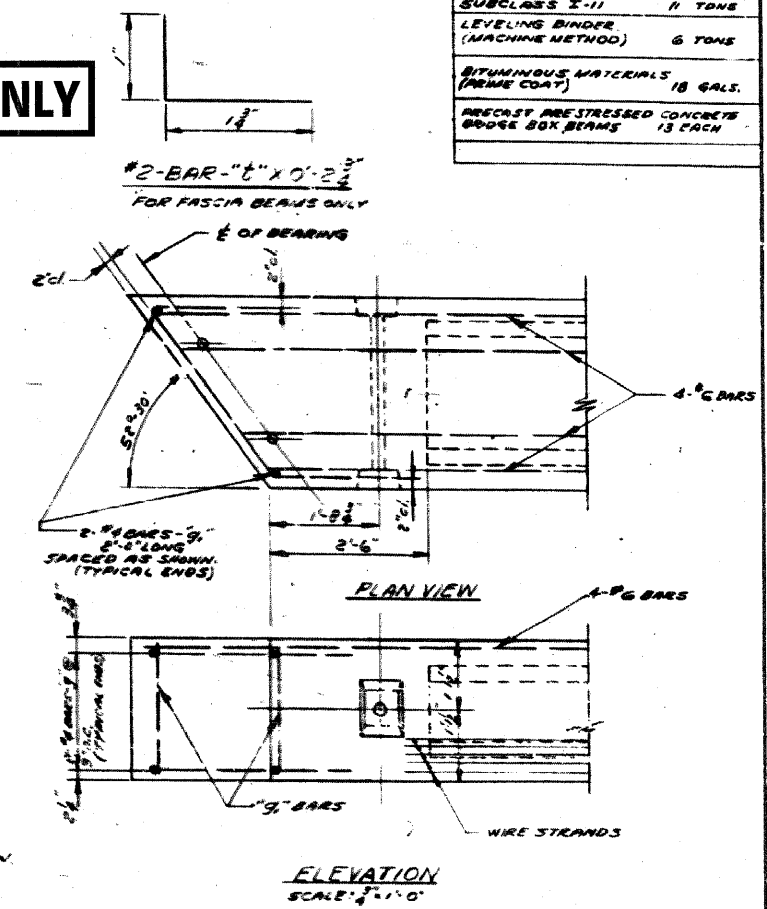
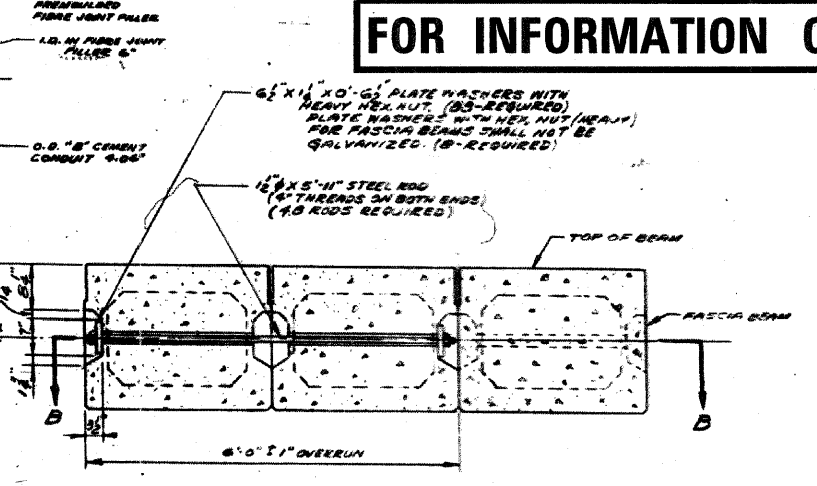
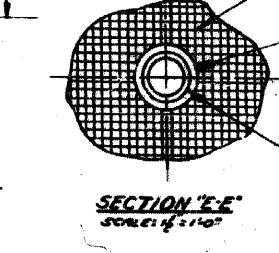
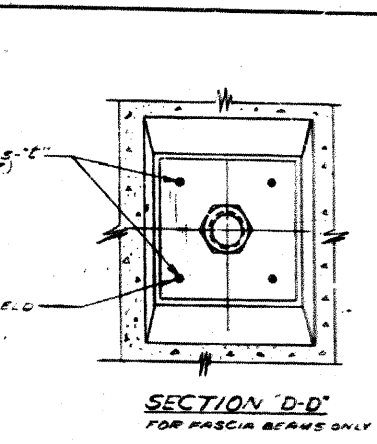
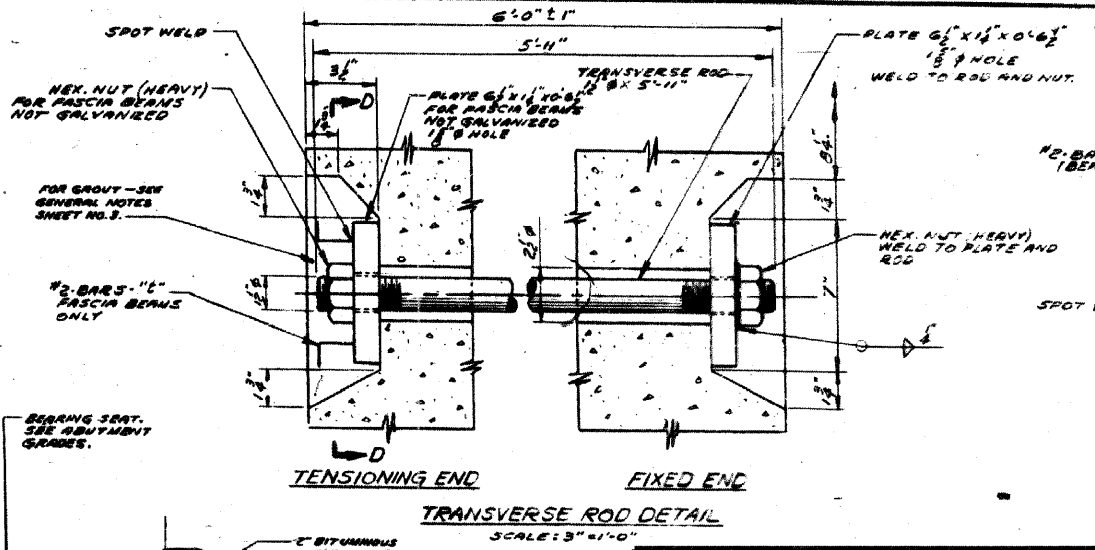
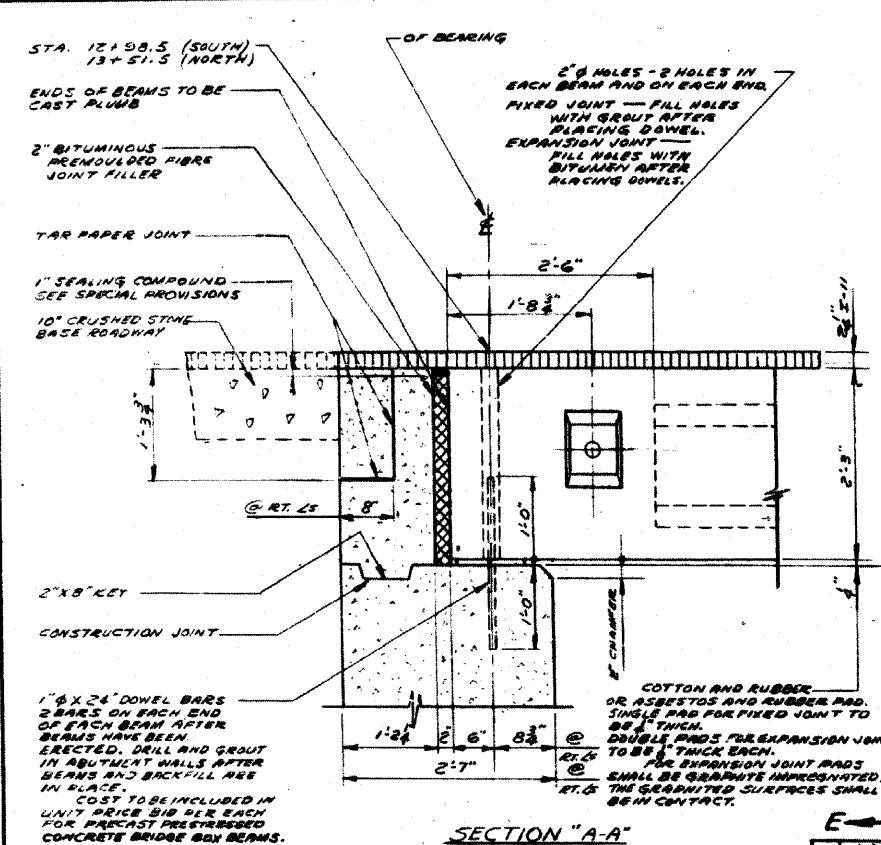


**BILL OF MATERIAL
SUPERSTRUCTURE**

BAR NO.	SIZE	LENGTH	TYPE
CL	110	#4	7'-9" BENT
Q	100	#4	5'-6" DO
Q	100	#4	6'-9" DO
D	20	#4	27'-6" STRAIGHT

CLASS "X" CONCRETE	220 CU. YDS.
REINFORCEMENT BARS	4,150 LBS.
BITUMINOUS CONCRETE BINDER COURSE	12 TONS
BITUMINOUS CONCRETE SURFACE COURSE SUBCLASS "I-11"	11 TONS
LEVELING BINDER (MACHINE METHOD)	6 TONS
BITUMINOUS MATERIALS (PRIME COAT)	18 GALS.
PRECAST PRESTRESSED CONCRETE BRIDGE BOX BEAMS	13 EACH



FOR INFORMATION ONLY

NOTE:
COST OF PREFABRICATING BEARING PAD TO BE INCLUDED IN UNIT PRICE BID EACH FOR PRECAST PRESTRESSED CONCRETE BRIDGE BOX BEAMS.

FIXED END — 2-3/8" THICK
EXPANSION END — 2-1/2" THICK

NOTE:
BARS # 4 & # 9 TO BE INCLUDED IN THE CONTRACT UNIT PRICE BID EACH FOR PRECAST PRESTRESSED CONCRETE BRIDGE BOX BEAMS. TRANSVERSE TENSIONING TIES SHALL BE SHOP PAINTED WITH TWO (2) COATS OF RED LEAD OXIDE PAINT.

REVISIONS		
DATE	BY	DESCRIPTION

DEPARTMENT OF HIGHWAYS
COOK COUNTY, ILLINOIS

DANIEL RYAN
PRESIDENT BOARD OF COMMISSIONERS

WILLIAM J. MORTIMER
SUPERINTENDENT OF HIGHWAYS

DETAILS OF SUPERSTRUCTURE
WESTERN AVENUE BRIDGE
OVER BUTTERFIELD CREEK

COMPUTED BY B. S. RIMAN PROJECT 054-0505 M.F.T.
DRAWN BY F. TAMMENBAUM SCALE AS SHOWN
CHECKED BY B. U. LAUGE APPROVED [Signature]

APPROVED [Signature] 11 1960 FISCAL YEAR 1960 COUNTY 054 DISTRICT 5 SHEET NO. 17

FOR INFORMATION ONLY