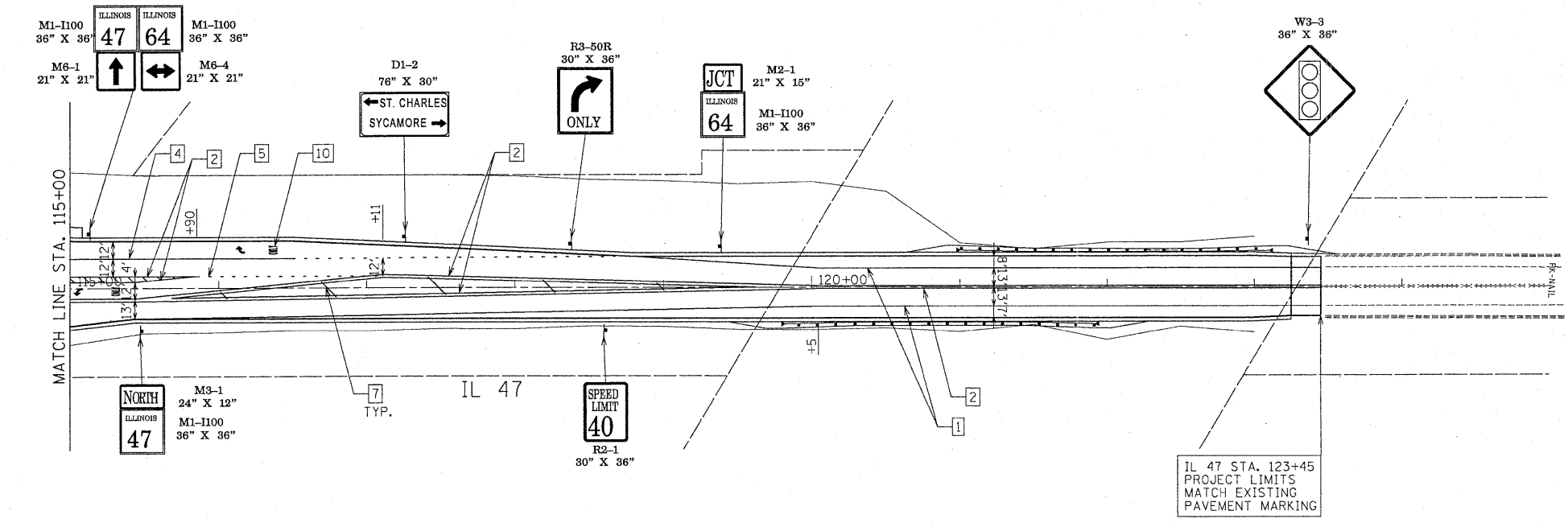
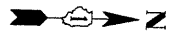
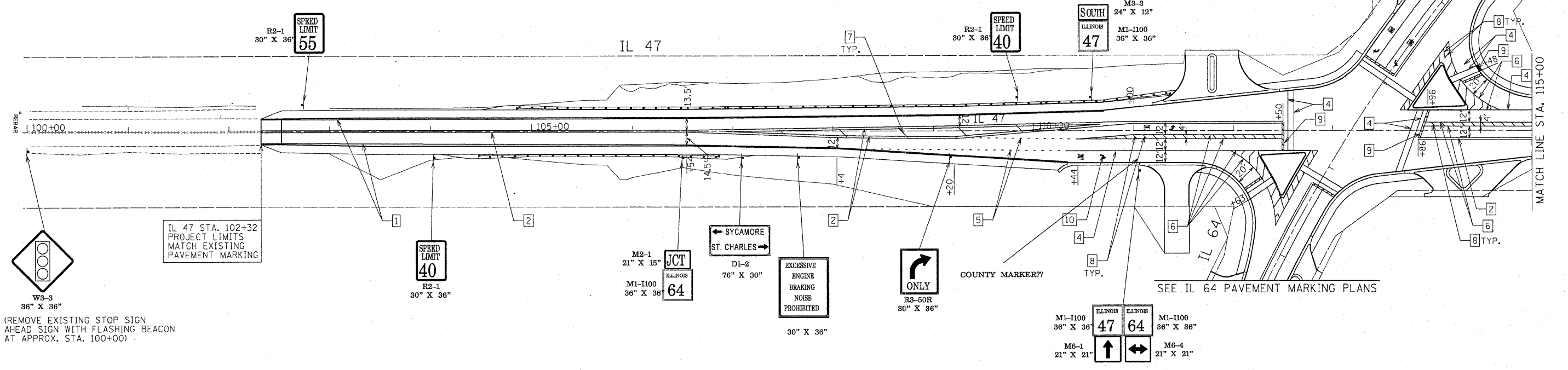


SEE IL 64 PAVEMENT MARKING PLANS



PAVEMENT MARKING LEGEND

- 1 PAVEMENT MARKING - LINE 4" WHITE SOLID
- 2 PAVEMENT MARKING - LINE 4" DOUBLE YELLOW, 2 @ 11" C-C W/ 2 AMBER RPM'S @ 80' C-C
- 3 PAVEMENT MARKING - LINE 4" WHITE SKIP DASH - 10' DASH, 30' SKIP W/2 CRYSTAL/OPAQUE RPM'S @ 80' C-C
- 4 PAVEMENT MARKING - LINE 6" WHITE
- 5 PAVEMENT MARKING - LINE 6" WHITE 2' DASH, 6' SKIP
- 6 PAVEMENT MARKING - LINE 8" WHITE
- 7 PAVEMENT MARKING - LINE 12" YELLOW @ 45 DEGREE @ 75' C-C
- 8 PAVEMENT MARKING - LINE 12" WHITE @ 45 DEGREE @ 10' C-C
- 9 PAVEMENT MARKING - LINE 24" WHITE
- 10 PAVEMENT MARKING - LETTERS & SYMBOLS

NOTE:
 PAVEMENT MARKING ON IL 64 WEST OF STA. 43+14 (HMA PAVEMENT) SHALL BE THERMOPLASTIC PAVEMENT MARKINGS.
 PAVEMENT MARKINGS ON IL 64 EAST OF STA. 43+14 AND ON IL 47 (PCC PAVEMENT) SHALL BE POLYUREA PAVEMENT MARKINGS, TYPE II.

FILE NAME =	USER NAME = .USER.	DESIGNED - AR	REVISED -	STATE OF ILLINOIS DEPARTMENT OF TRANSPORTATION	IL 64 AT IL 47 INTERSECTION IMPROVEMENTS PAVEMENT MARKING AND SIGNING PLANS	F.A.P. RTE.	SECTION	COUNTY	TOTAL SHEETS	SHEET NO.	
#FILE#	PLOT SCALE = 50.0000' / IN.	DRAWN - AR	REVISED -			307	126N-1	KANE	156	80	
	PLOT DATE = 9/13/2011	CHECKED - RS	REVISED -			CONTRACT NO. 62278					
		DATE - 09-01-2011	REVISED -			ILLINOIS FED. AID PROJECT					
						SCALE: 50	SHEET NO. 2 OF 2 SHEETS	STA. 102+32	TO STA. 123+45		