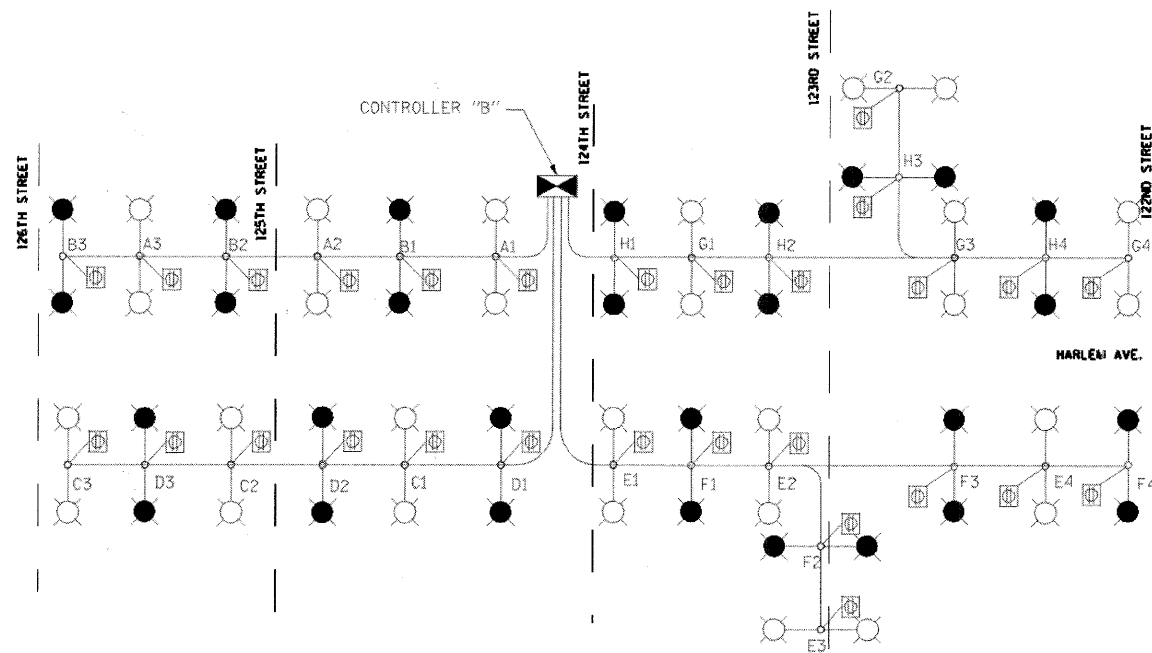


CONTROLLER "A" @ 127TH STREET

CIRCUIT	RED		CIRCUIT	BLACK	
	AMPS @ 120V	VA		AMPS @ 120V	VA
A	22.89	2746.8	B	22.89	2746.8
C	30.52	3662.4	D	30.52	3662.4
E	SPARE	SPARE	F	SPARE	SPARE
G	SPARE	SPARE	H	SPARE	SPARE
TOTAL	53.41	6409.2	TOTAL	53.41	6409.2
TOTAL LOAD 106.82					



CONTROLLER "B" @ 124TH STREET

CIRCUIT	RED		CIRCUIT	BLACK	
	AMPS @ 120V	VA		AMPS @ 120V	VA
A	22.89	2746.8	B	22.89	2746.8
C	22.89	2746.8	D	22.89	2746.8
E	30.52	3662.4	F	30.52	3662.4
G	30.52	3662.4	H	30.52	3662.4
I	SPARE	SPARE	J	SPARE	SPARE
TOTAL	106.82	12818.4	TOTAL	106.82	12818.4
TOTAL LOAD 213.6A					

LEGEND

- LUMINAIRES, 400W, 120V WITH 66W, 120V RED CIRCUIT
- LUMINAIRES, 400W, 120V WITH 66W, 120V BLACK CIRCUIT
- PROPOSED LIGHTING CONTROLLER
- UNIT DUCT 3 1/2" #4 1/2" #6 GROUND, 1 1/4" POLY.
- FESTOON OUTLET, 120V GFCI

LOAD DATA:

400W, 120V LUMINAIRE: 4.1A/LUMINAIRE
 66W LED, 120V LUMINAIRE: 0.53A/LUMINAIRE
 FESTOON OUTLET, 120V: 3A/FESTOON
 TOTAL LOAD/LTG UNIT: 7.63A

LTC-09

MORRIS ENGINEERING, INC.
 CONSULTING ENGINEERS
 8100 S. JERICHO, SUITE 100, JOLIET, ILLINOIS 60432
 PHONE: (815) 737-1770 FAX: (815) 737-1770
 WWW: MORRISENGINEERING.COM

AMES Engineering, Inc.
 CONSULTING ENGINEERS
 1341 Warren Avenue
 Downers Grove, IL 60415
 (630) 737-1887 (630) 470-9801 (F)
 WWW: AMESENGINEERING.COM

FILE NAME =	USER NAME = #USER#	DESIGNED - BL	REVISED -
#FILE#		DRAWN - RY	REVISED -
	PLDT SCALE = #SCALE#	CHECKED - SA	REVISED -
	PLDT DATE = #DATE#	DATE - 06-03-11	REVISED -

**STATE OF ILLINOIS
 DEPARTMENT OF TRANSPORTATION**

**CITY OF PALOS HEIGHTS LIGHTING IMPROVEMENTS
 WIRING DIAGRAM**

SCALE: SHEET NO. OF SHEETS STA. TO STA.

F.A.P. RTE.	SECTION	COUNTY	TOTAL SHEETS	SHEET NO.
34B	09-00046-00-LT	COOK	20	10
CONTRACT NO. 63518			ILLINOIS FED. AID PROJECT	