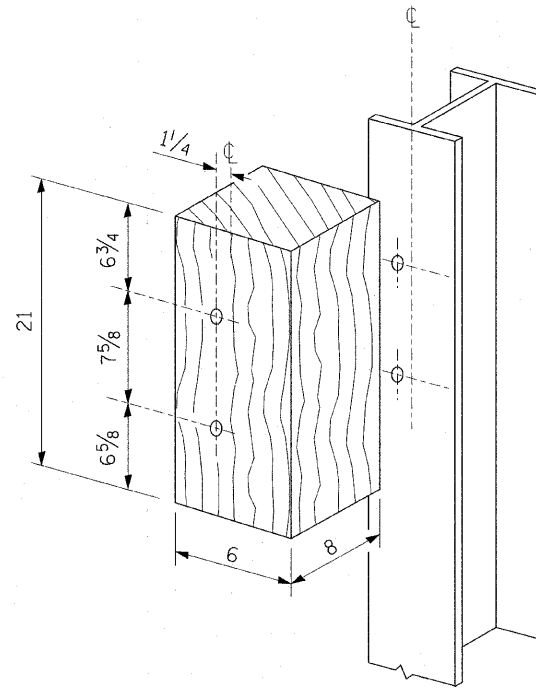
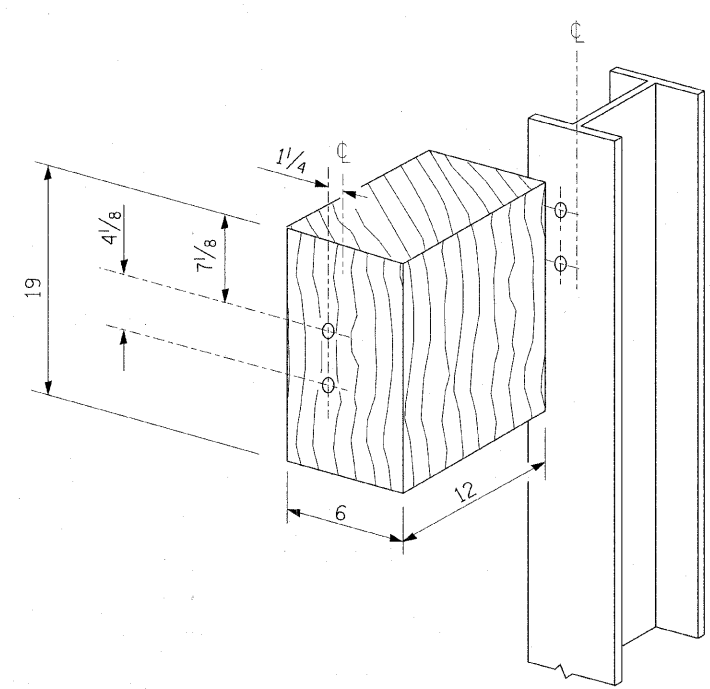


SECTION C-C

**MCHENRY COUNTY
DIVISION OF TRANSPORTATION**

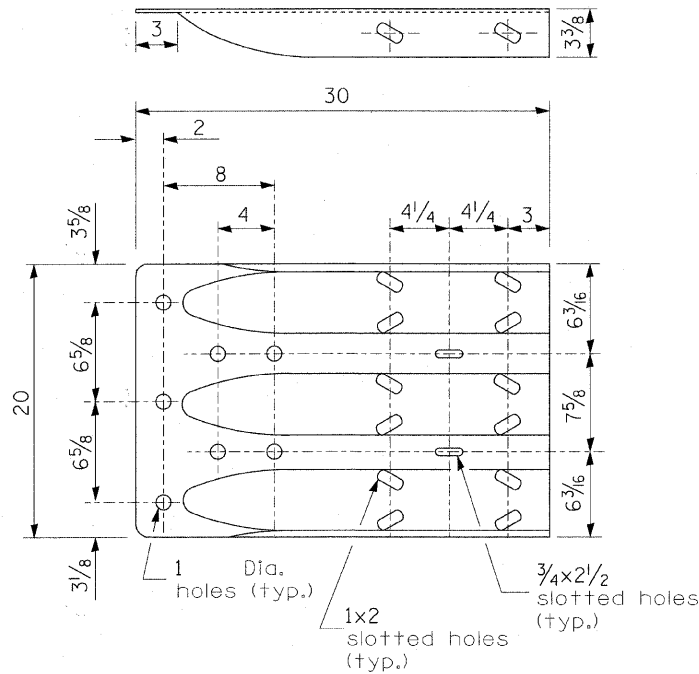


POSTS 1-11 WOOD BLOCKOUT DETAIL

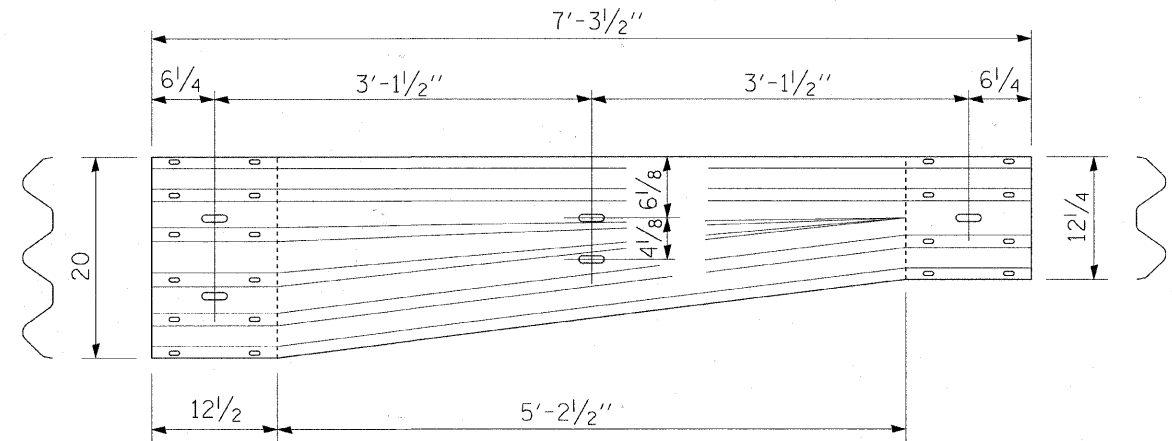


POST 12 WOOD BLOCKOUT DETAIL

(See Standard 630001 for post 13-17 blockouts.)



MODIFIED THRIE BEAM END SHOE DETAIL



TRANSITION SECTION
(10 gauge rail element)

**TRAFFIC BARRIER TERMINAL;
TYPE 6A (SPECIAL)
STRUCTURE NO. 056-3183**

DESIGNED	BLB
CHECKED	AS
DRAWN	BCD
CHECKED	BLB

SHEET NO. 2 3 SHEETS	TR RTE.	SECTION	COUNTY	TOTAL SHEETS	SHEET NO.
	0037	06-00322-01-BR	MCHENRY	52	43
		C-91-258-11		CONTRACT NO. 63580	
		FED. ROAD DIST. NO. 1	ILLINOIS	FED. AID PROJECT BROS-0111(064)	