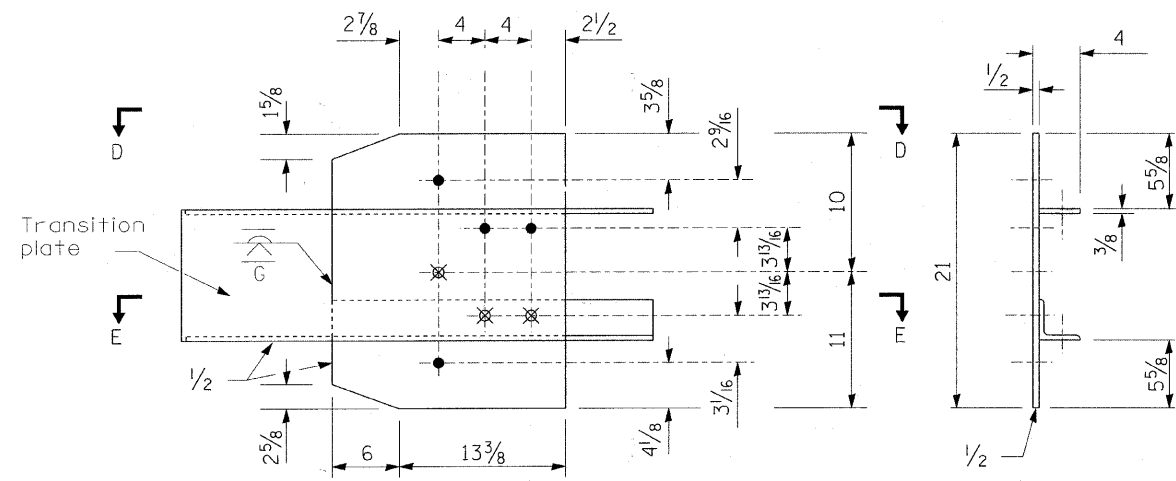


MCHENRY COUNTY
DIVISION OF TRANSPORTATION

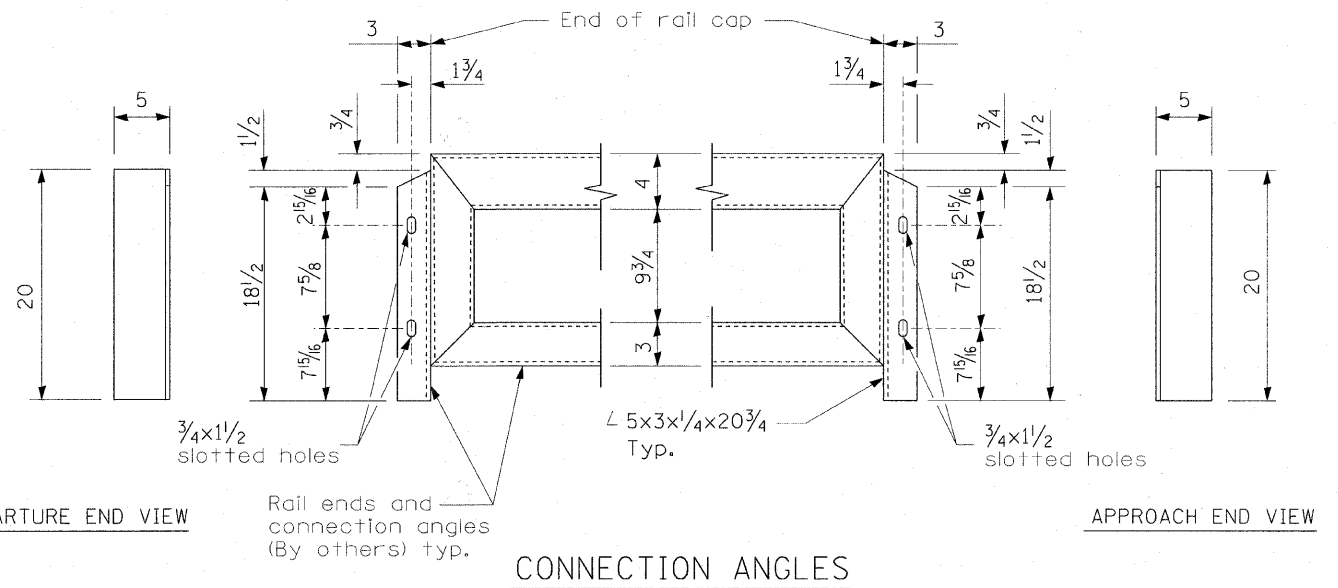
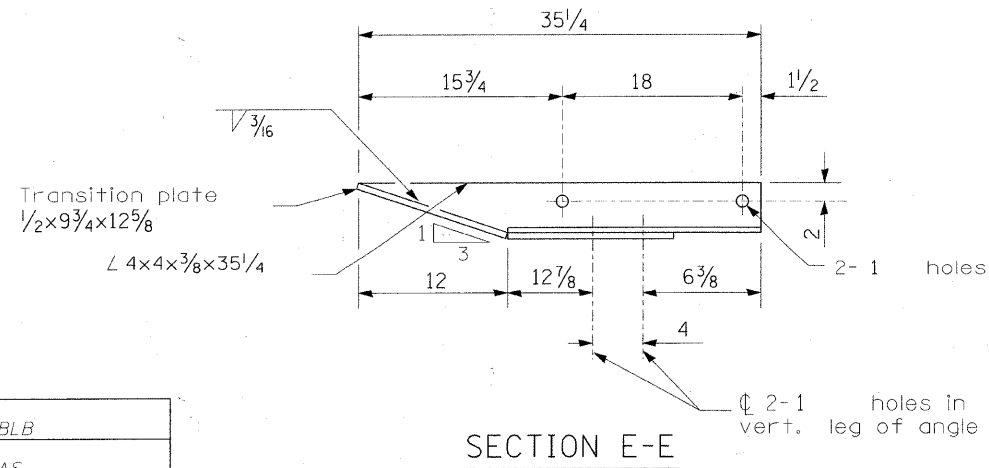
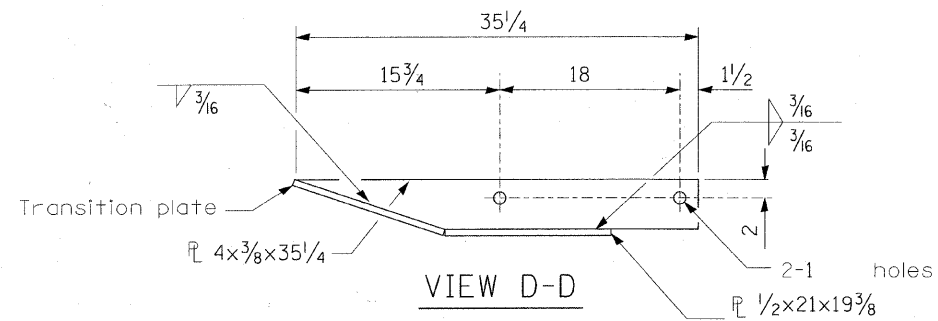


- 4-1 holes for 7/8 H.S. bolts and nuts
- ⊗ Drill and tap 3 holes for 7/8 H.S. bolts.

LEGEND

GUARDRAIL CONNECTION PLATE ASSEMBLY DETAILS

(Mirror for opposite end)



TRAFFIC BARRIER TERMINAL
TYPE 6A (SPECIAL)
STRUCTURE NO. 056-3183

SHEET NO. 3	TR	SECTION	COUNTY	TOTAL	SHEET
	RTE.			SHEETS	NO.
3 SHEETS	0037	06-00322-01-BR	MCHENRY	52	44
	C-91-258-11		CONTRACT NO. 63580		
	FED. ROAD DIST. NO. 1	ILLINOIS	FED. AID PROJECT BRS-0034(107)		

DESIGNED	BLB
CHECKED	AS
DRAWN	BCD
CHECKED	BLB

COPYRIGHT © 2005 BY BAXTER & WOODMAN, INC.
 STATE OF ILLINOIS - PROFESSIONAL DESIGN FIRM
 5655 S. W. 127th Ave., Suite 100, Overland Park, KS 66204
 913-641-1270 FAX 913-641-1271
 www.baxterandwoodman.com