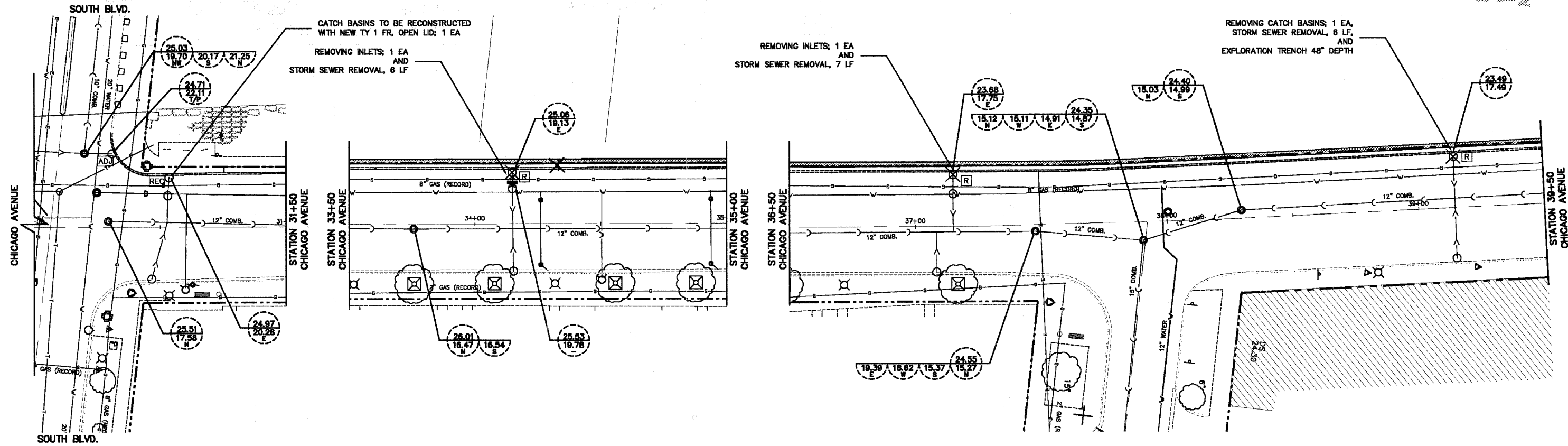
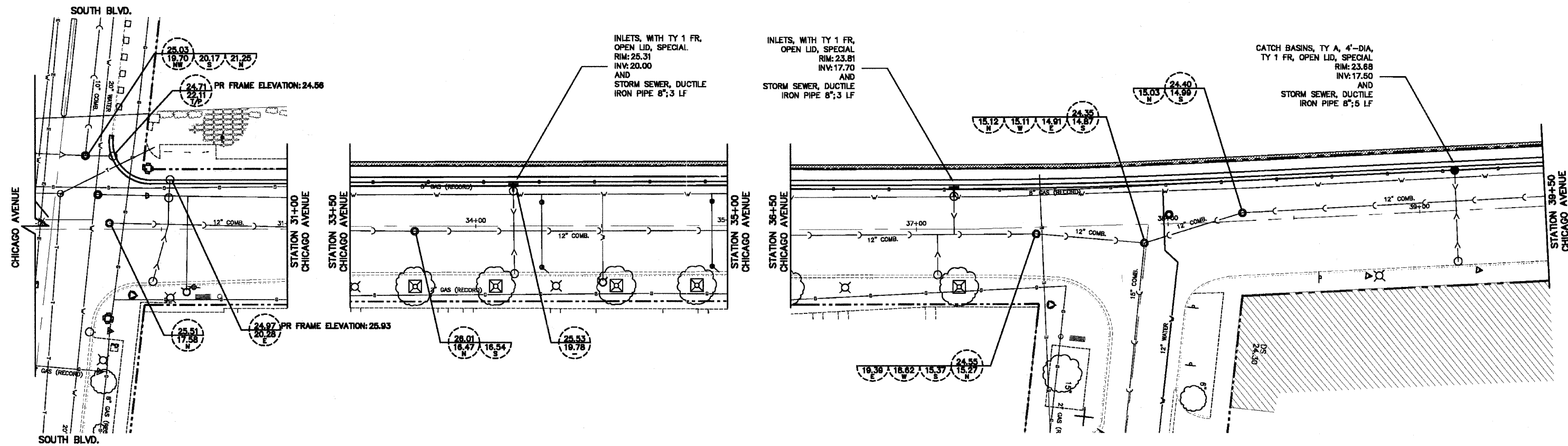



REMOVAL PLAN



PROPOSED PLAN



PLANS PREPARED BY:  CITY OF EVANSTON
PUBLIC WORKS DEPARTMENT
DIVISION OF TRANSPORTATION
PHONE: (847) 696-2940

| | |
|----------------------|----------------------------|
| DESIGNED - DSM | REVISED - 7/1/11 PER IDOT |
| DRAWN - DSM | REVISED - 8/28/11 PER IDOT |
| CHECKED - SN, PC | REVISED - |
| DATE - 1 / 27 / 2011 | REVISED - |

STATE OF ILLINOIS
DEPARTMENT OF TRANSPORTATION

DRAINAGE & UTILITY PLAN
CHICAGO AVENUE

SCALE: 1" = 20' SHEET NO. 17 OF 39 SHEETS STA. 28+00 TO STA. 39+50

| F.A.U. RTE. | SECTION | COUNTY | TOTAL SHEETS | SHEET NO. |
|---------------------------|----------------|--------|--------------|-----------|
| 2853 | 10-00259-00-LS | COOK | 39 | 17 |
| CONTRACT NO. 63593 | | | | |
| ILLINOIS FED. AID PROJECT | | | | |