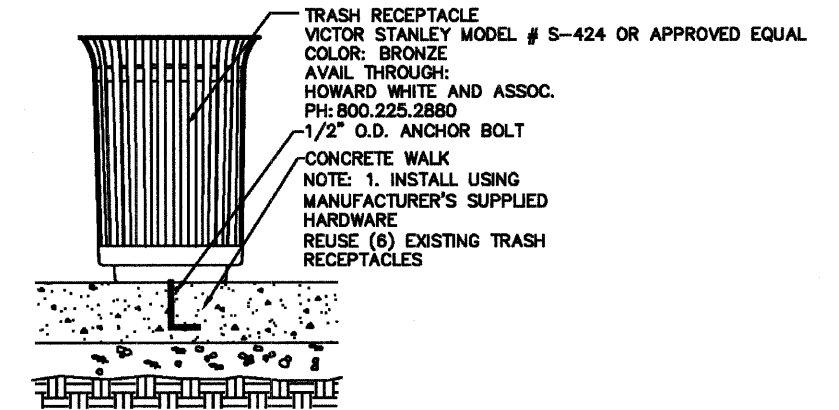
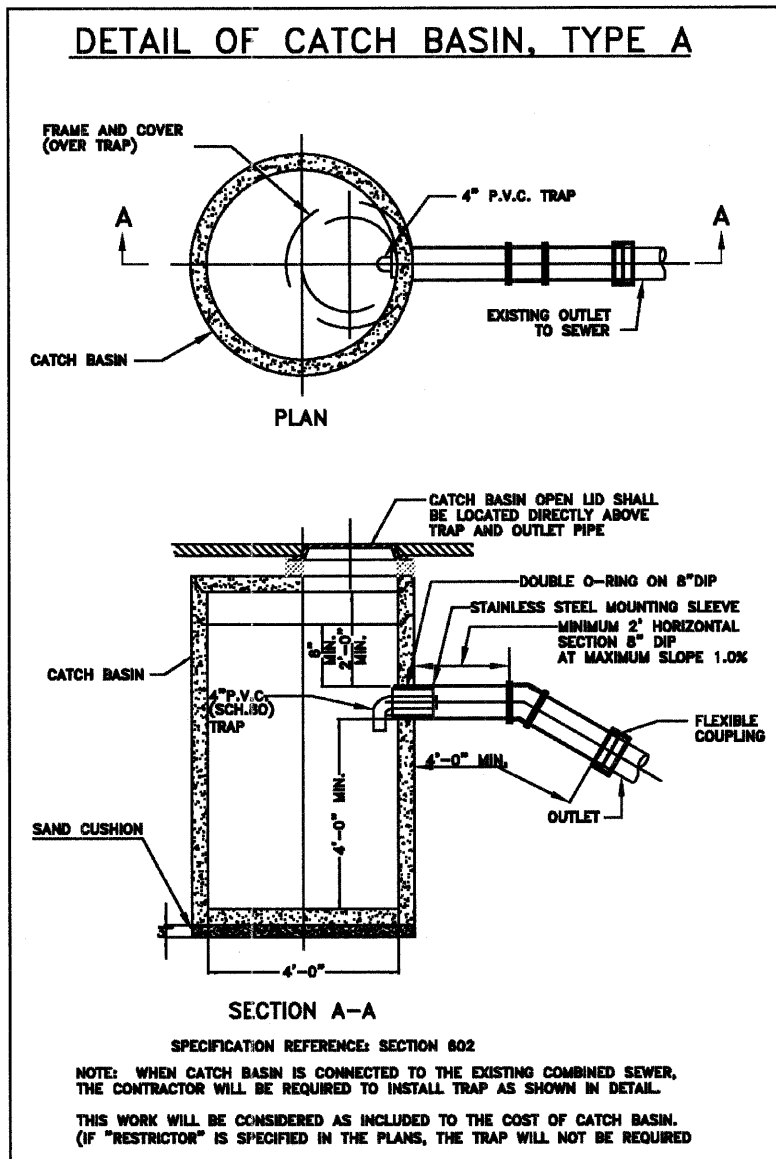
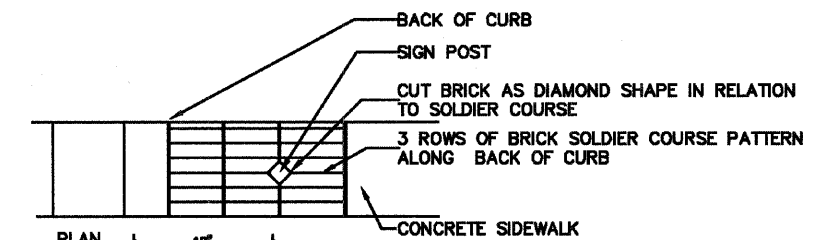


**"PRECAST CONCRETE CURB"**  
 PIECES SHALL BE CAST IN SECTIONS NO LONGER THAN 6- FEET AND SHALL INCLUDE TWO ANCHORS PER SECTION



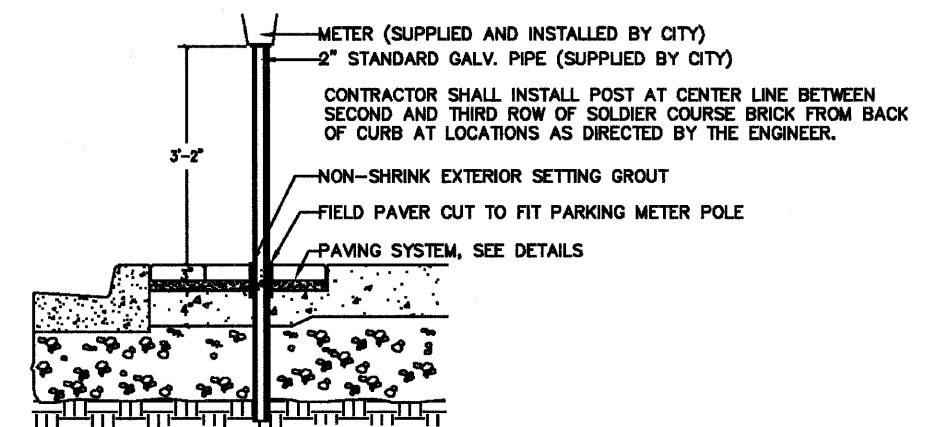
**"TRASH RECEPTACLE" DETAIL**



**"REMOVING AND RESETTING STREET SIGNS" DETAIL**

INSTALL NEW 10' TO 12' U-CHANNEL (GREEN FINISH) SIGN POST TO A HEIGHT FROM THE TOP OF CURB AS DIRECTED BY THE ENGINEER

NOTE: EXISTING SIGNS SHALL BE REMOVED AND SAFELY STOCKPILED BY THE CONTRACTOR AND INSTALLED ON NEW SIGN POSTS WITH NEW MOUNTING HARDWARE AS DIRECTED BY THE ENGINEER. SIGNS DAMAGED BY THE CONTRACTOR SHALL BE REPLACED IN KIND.



**"PARKING METER POSTS TO BE MOVED" DETAIL**