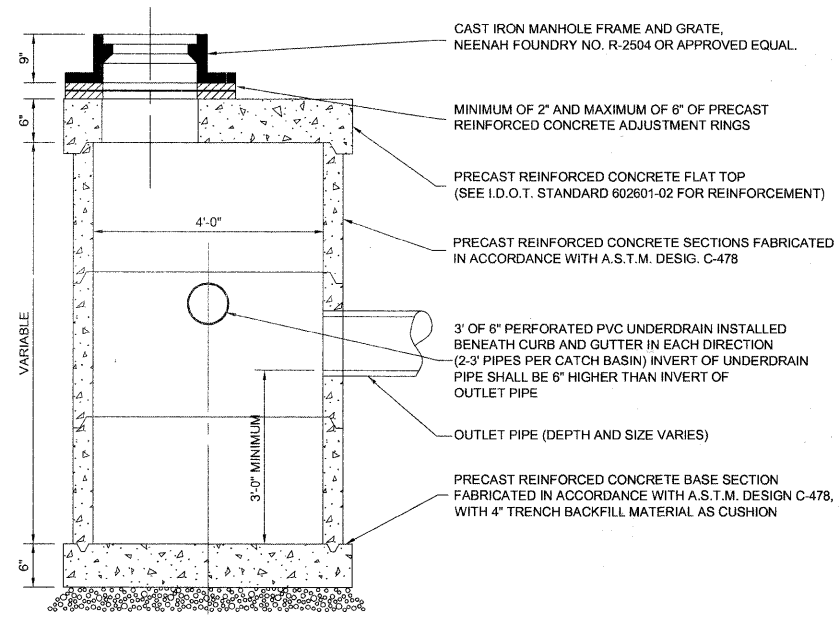
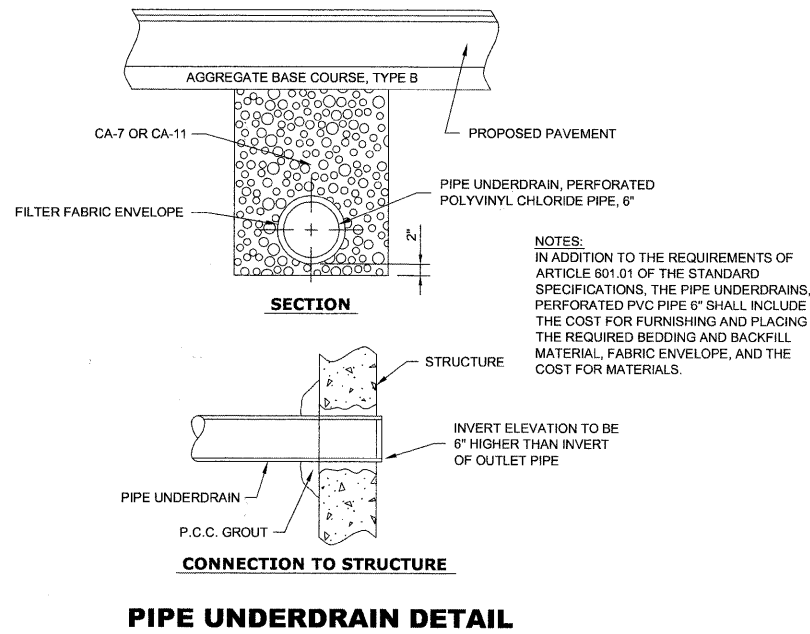


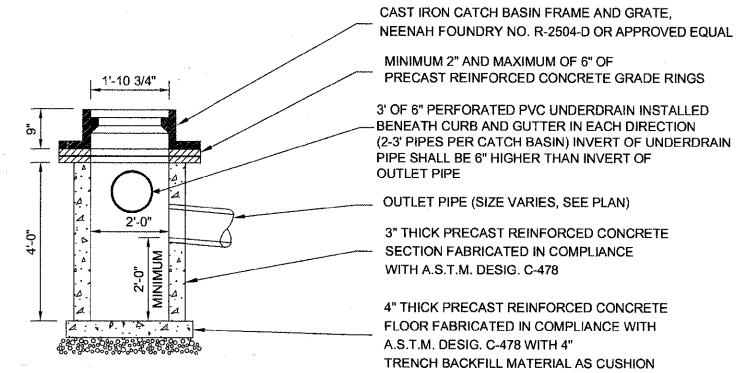
RESTRICTED DEPTH STORM MANHOLE



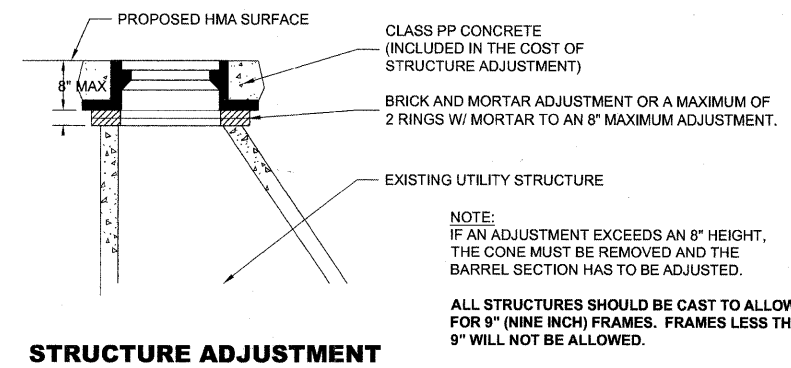
RESTRICTED DEPTH CATCH BASIN



NOTES:
 IN ADDITION TO THE REQUIREMENTS OF ARTICLE 801.01 OF THE STANDARD SPECIFICATIONS, THE PIPE UNDERDRAINS, PERFORATED PVC PIPE 6" SHALL INCLUDE THE COST FOR FURNISHING AND PLACING THE REQUIRED BEDDING AND BACKFILL MATERIAL, FABRIC ENVELOPE, AND THE COST FOR MATERIALS.



CATCH BASIN, TYPE C , SPECIAL



Drawing file: W:\Projects\61210200 - Centfield Road Recm\9_DrainageDetails-Confined.dwg Aug 11, 2011 - 2:11pm



♦ Civil Engineers
 ♦ Municipal Consultants
 ♦ Established 1911

9933 Roosevelt Road
 Westchester, Illinois 60154-2780
 Phone: 708-965-4300
 Fax: 708-965-1212

DESIGNED -	CB	REVISED -	
DRAWN -	LEV, DMM	REVISED -	
CHECKED -	JGG	REVISED -	
DATE -	7-1-2011	REVISED -	

STATE OF ILLINOIS
DEPARTMENT OF TRANSPORTATION

DRAINAGE DETAILS

SCALE: NONE SHEET NO. 1 OF 1 SHEETS STA. TO STA.

F.A.U. RTE.	SECTION	COUNTY	TOTAL SHEETS	SHEET NO.
2763	10-00061-00-RS	COOK	41	22
FIELD BOOK NO. 1562		CONTRACT NO. 63631		
FED. ROAD DIST. NO. 1		ILLINOIS	FED. AID PROJECT	

E.H.E. PROJECT NO. 612-10-20801