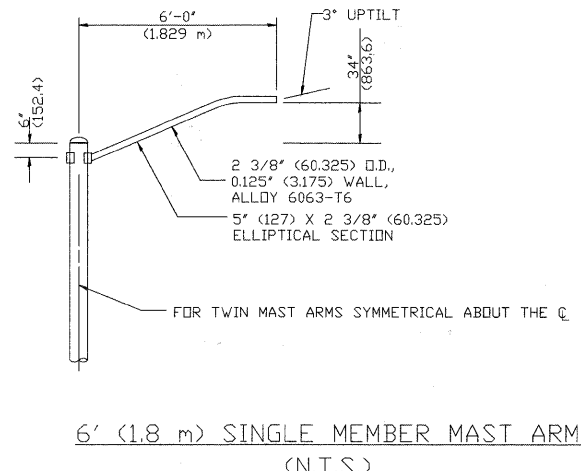
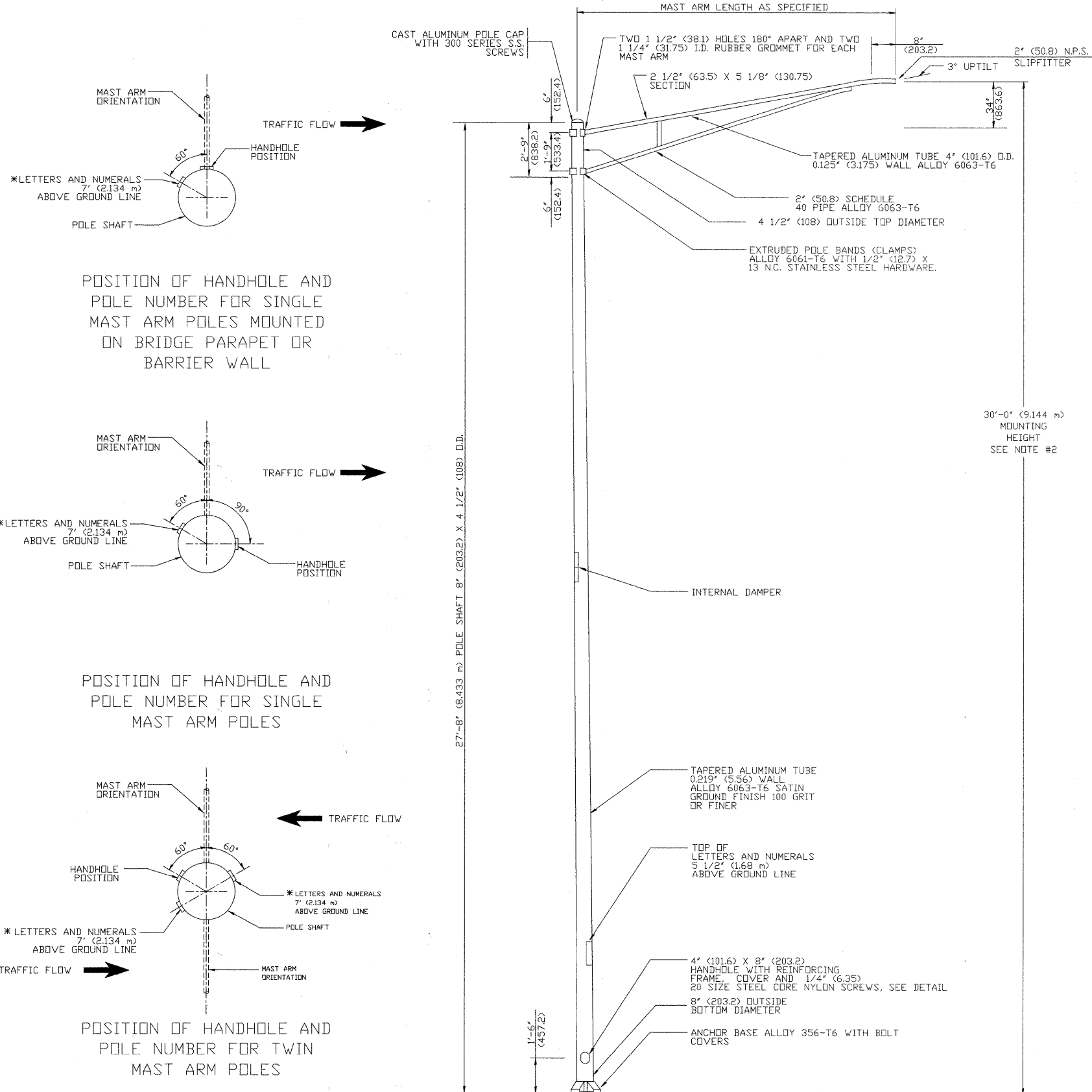
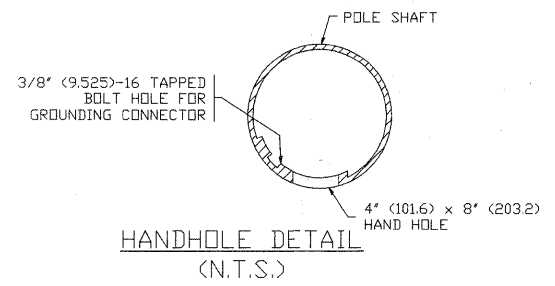
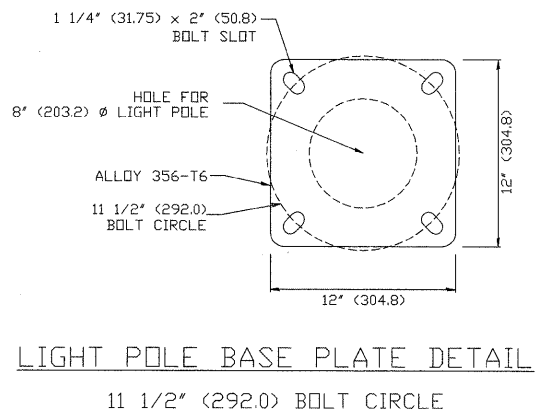


Drawing file: W:\Projects\61210200 - Canfield Road Rec'n\92_Lighting\Detail-Cenfield.dwg Aug 11, 2011 - 2:19pm



- NOTES:**
1. ALL DIMENSIONS ARE IN INCHES (MILLIMETERS) UNLESS OTHERWISE SHOWN.
 2. MOUNTING HEIGHT IS DEFINED AS THE DISTANCE FROM THE CENTERLINE OF THE TENDON TO THE BOTTOM OF THE ANCHOR BASE.
 3. THE LIGHT POLE WILL MEET AASHTO DESIGN CRITERIA AS SPECIFIED.
 4. THE INSTALLING CONTRACTOR WILL PROVIDE A UL LISTED GROUNDING CONNECTOR, BURNDY K2C23, T&B SP4DL OR APPROVED EQUAL.
 5. LIGHT POLES WILL NOT BE INSTALLED WITHOUT MAST ARMS AND LUMINAIRES.
 6. LIGHT POLES WILL BE SET PLUMB ON THE FOUNDATION WITHOUT THE USE OF LEVELING NUTS, WASHERS OR SHIMS.
 7. LIGHTING UNIT IDENTIFICATION NUMBERS SHALL BE INSTALLED BEFORE THE LIGHTING UNIT IS ENERGIZED.



POSITION OF HANDHOLE AND POLE NUMBER FOR SINGLE MAST ARM POLES MOUNTED ON BRIDGE PARAPET OR BARRIER WALL

POSITION OF HANDHOLE AND POLE NUMBER FOR SINGLE MAST ARM POLES

POSITION OF HANDHOLE AND POLE NUMBER FOR TWIN MAST ARM POLES

POSITION OF HANDHOLE AND POLE NUMBER FOR TWIN MAST ARM POLES

USER NAME =	DESIGNED =	REVISED - R. TOMSONS 09-02-03
PLOT SCALE =	DRAWN =	REVISED =
PLOT DATE =	CHECKED =	REVISED =
	DATE 6/08/2011	REVISED =

**STATE OF ILLINOIS
DEPARTMENT OF TRANSPORTATION**

**ALUMINUM LIGHT POLE
30'-0" (9.144 m) MOUNTING HEIGHT**

SCALE: NONE SHEET NO. 1 OF 1 SHEETS STA. TO STA.

F.A.U. RTE.	SECTION	COUNTY	TOTAL SHEETS	SHEET NO.
2763	10-00061-00-R5	COOK	41	31
BE-403			CONTRACT NO. 63631	
FED. ROAD DIST. NO. 1 ILLINOIS FED. AID PROJECT				