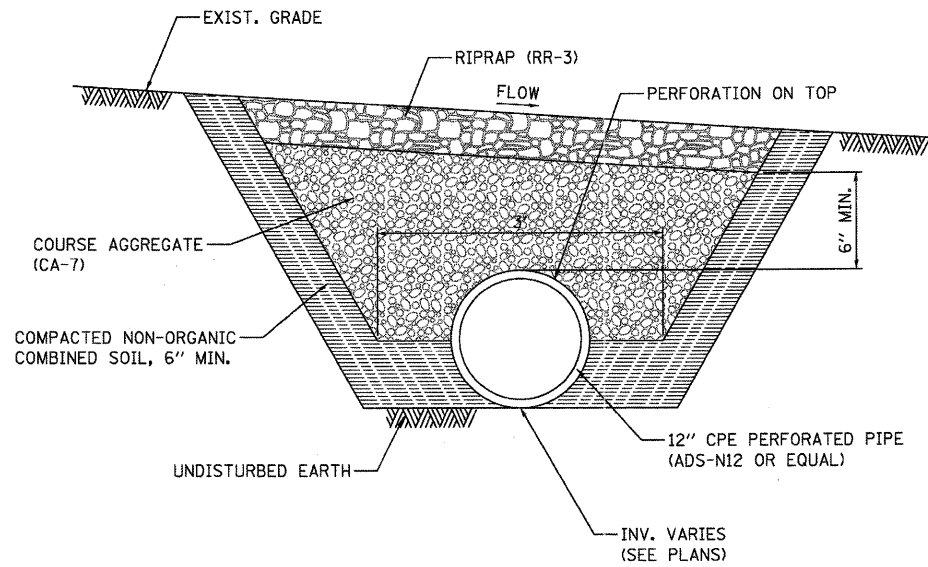
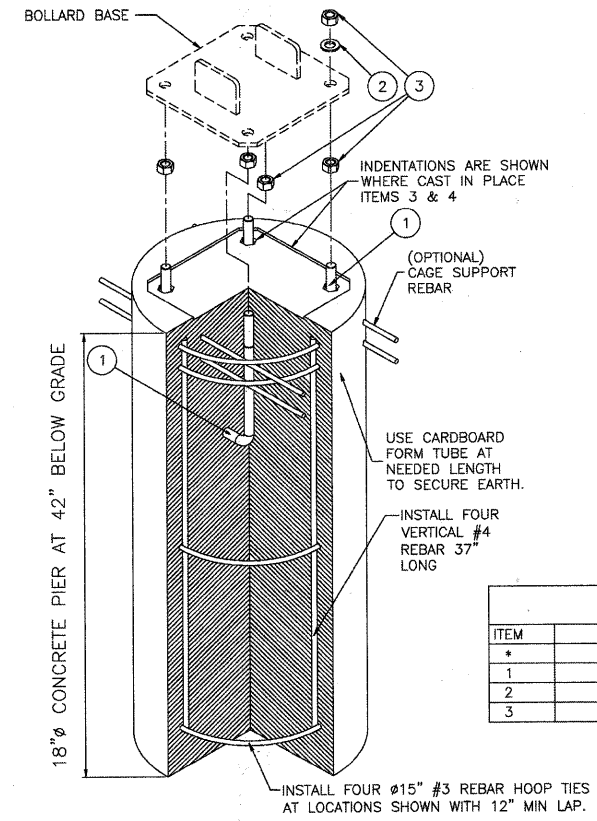


**LEVEL SPREADER TRENCH BACKFILL DETAIL**  
FOR DRAIN UNDER TRAIL

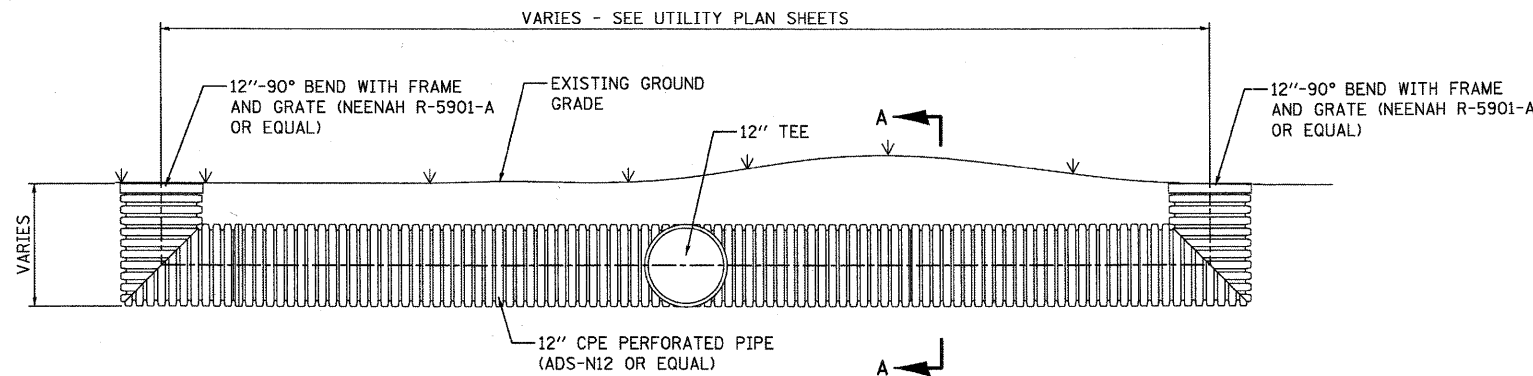


**LEVEL SPREADER DETAIL**  
**SECTION A-A**

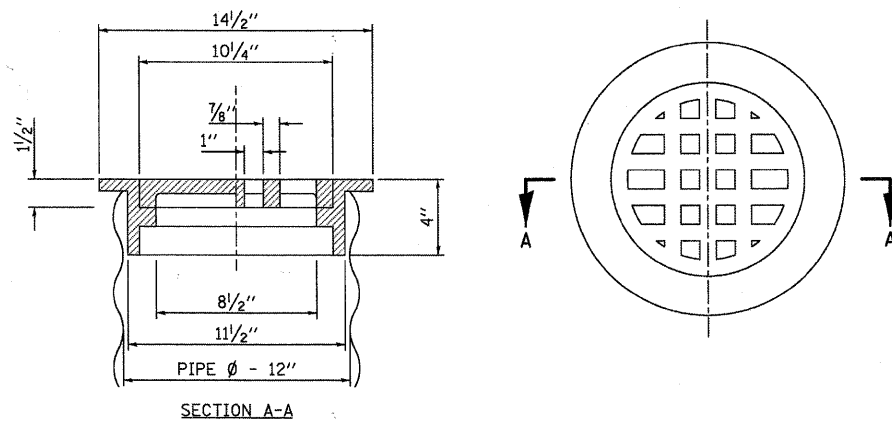


BILL OF MATERIAL		
ITEM	DESCRIPTION	QTY.
*	CPAS KIT - INCLUDES THE FOLLOWING PART NUMBERS	*
1	Ø3/4" x 12" TYPE L ANCHOR BOLT-H.D.G.	4
2	Ø3/4" TYPE A FLAT NARROW WASHER GALVANIZED STEEL	4
3	Ø3/4" HEX NUT GALVANIZED STEEL	8

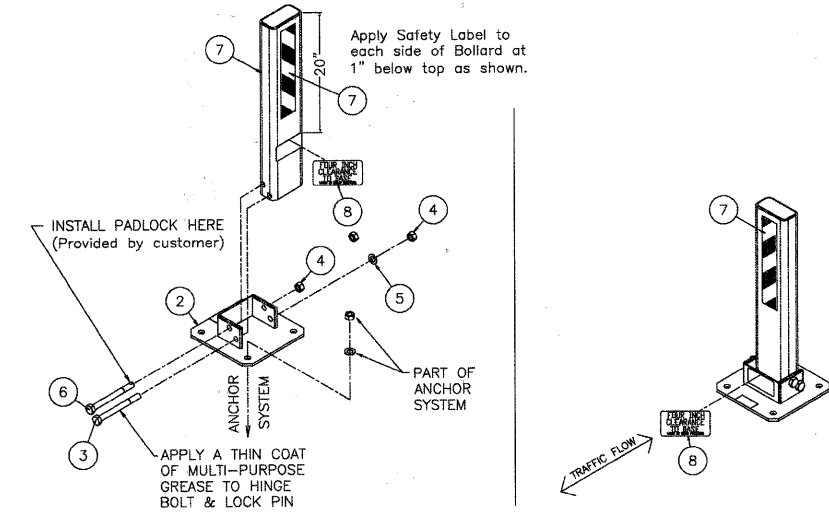
**CONCRETE BASE FOR FOLD DOWN BOLLARD DETAIL**



**CLEANOUT FOR LEVEL SPREADER DETAIL**



**CLEANOUT FRAME AND GRATE FOR LEVEL SPREADER**  
FRAME AND GRATE SHALL BE NEENAH R-5901-A OR APPROVED EQUAL



BILL OF MATERIAL		
ITEM	DESCRIPTION	QTY.
1	LPHDHB POST	1
2	LPHDHB BASE	1
3	Ø3/4" x 8" HEX HEAD HINGE BOLT - 18-8 SS	1
4	Ø3/4" HEX NUT - 18-8 SS	2
5	Ø3/4" FLAT WASHER - TYPE A NARROW - 18-8 SS	1
6	Ø3/4" x 8" HEX HEAD LOCKING PIN - 18-8 SS	1
7	SAFETY LABEL 3" x 12"	2
8	FOUR INCH CLEARANCE LABEL	2

**FOLD DOWN BOLLARD DETAIL**

FOUR INCH CLEARANCE TO BASE WHEN IN DOWN POSITION.  
No. 8 SAFETY LABEL

FILE NAME = W:\P\projects\2011\110131\_Spearhead2A\cadd\Civil\09n\Shr\A.D\_GDD\_110131\_02.dgn

**WILLS BURKE KELSEY ASSOCIATES LTD.**  
110 West Main Street, Suite 201  
St. Charles, Illinois 60174

USER NAME = nparris	DESIGNED - P.J.F.	REVISED -
PLOT SCALE =	DRAWN - NDP	REVISED -
PLOT DATE = 8/30/2011	CHECKED - PDK	REVISED -
	DATE - 8/29/11	REVISED -

**STATE OF ILLINOIS**  
**DEPARTMENT OF TRANSPORTATION**

**MCLEAN BLVD ENVIRONMENTAL ADAPTIVE MANAGEMENT PLANS**  
**GENERAL DETAILS**

SCALE: SHEET NO. 23 OF 54 SHEETS STA. TO STA.

F.A.P. RTE.	SECTION	COUNTY	TOTAL SHEETS	SHEET NO.
361	06-00214-11-LS	KANE	54	23
CONTRACT NO. 63638				
FED. ROAD DIST. NO. ILLINOIS FED. AID PROJECT				