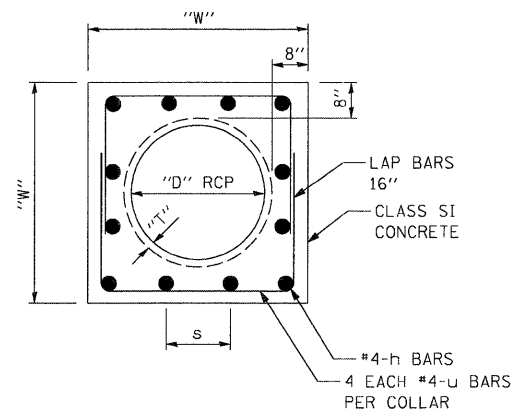
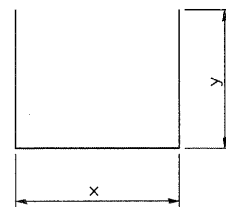


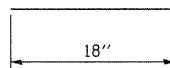
SIDE VIEW



FRONT SECTION



#4 u BAR



#4 h BARS

CONCRETE COLLAR DETAIL

NTS

CONCRETE COLLAR TABLE

"D" RCP DIA (IN)	"T" PIPE THICKNESS (IN)	"W" WIDTH (IN)	u BAR				h BARS			CLASS SI CONCRETE (CU YD)	REINFORCEMENT BARS, EPOXY COATED (LBS)
			X (IN)	Y (IN)	QTY (EACH)	TOTAL LENGTH (FT)	S (IN)	QTY (EACH)	TOTAL LENGTH (FT)		
12	2.00	32.0	26.00	21.00	4	22.7	8 1/8	12	18.0	0.42	27.2
15	2.25	35.5	29.50	22.75	4	25.0	9 3/8	12	18.0	0.49	28.7
18	2.50	39.0	33.00	24.50	4	27.3	10 1/2	12	18.0	0.57	30.3
21	2.75	42.5	36.50	26.25	4	29.7	8 3/4	16	24.0	0.65	35.8
24	3.00	46.0	40.00	28.00	4	32.0	9 5/8	16	24.0	0.72	37.4
27	3.25	49.5	43.50	29.75	4	34.3	10 1/2	16	24.0	0.81	39.0
30	3.50	53.0	47.00	31.50	4	36.7	11 3/8	16	24.0	0.89	40.5
33	3.75	56.5	50.50	33.25	4	39.0	9 13/16	20	30.0	0.98	46.1
36	4.00	60.0	54.00	35.00	4	41.3	10 1/2	20	30.0	1.07	47.7
42	4.50	67.0	61.00	38.50	4	46.0	9 7/8	24	36.0	1.26	54.8
48	5.00	74.0	68.00	42.00	4	50.7	11 1/8	24	36.0	1.46	57.9

NOTES:

1. CONCRETE COLLARS SHALL BE CONSTRUCTED OF CLASS SI CONCRETE IN ACCORDANCE WITH SECTION 503 OF THE STANDARD SPECIFICATIONS.
2. REINFORCEMENT BARS SHALL CONFORM TO SECTION 508 OF THE STANDARD SPECIFICATIONS. ALL REINFORCEMENT SHALL HAVE 3 INCHES OF COVER.
3. CONCRETE COLLARS SHALL BE USED AT ALL EXISTING/PROPOSED PIPE CONNECTIONS. TRIM EXISTING PIPE END TO PROVIDE FLUSH BUTT JOINT, INSTALL REBAR, AND PLACE CONCRETE COLLAR.
4. THE CONCRETE WILL BE PAID FOR AT THE CONTRACT UNIT PRICE PER CUBIC YARD FOR "CONCRETE COLLAR". REINFORCEMENT WILL BE PAID FOR AT THE CONTRACT UNIT PRICE PER POUND FOR "REINFORCEMENT BARS, EPOXY COATED."