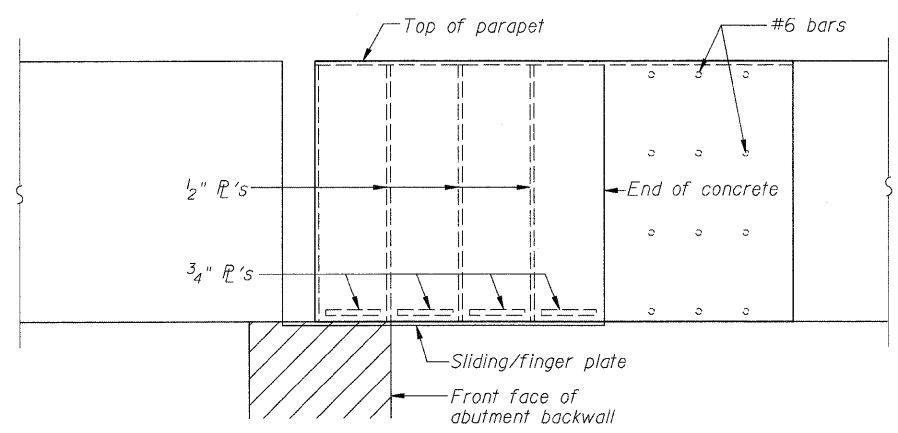
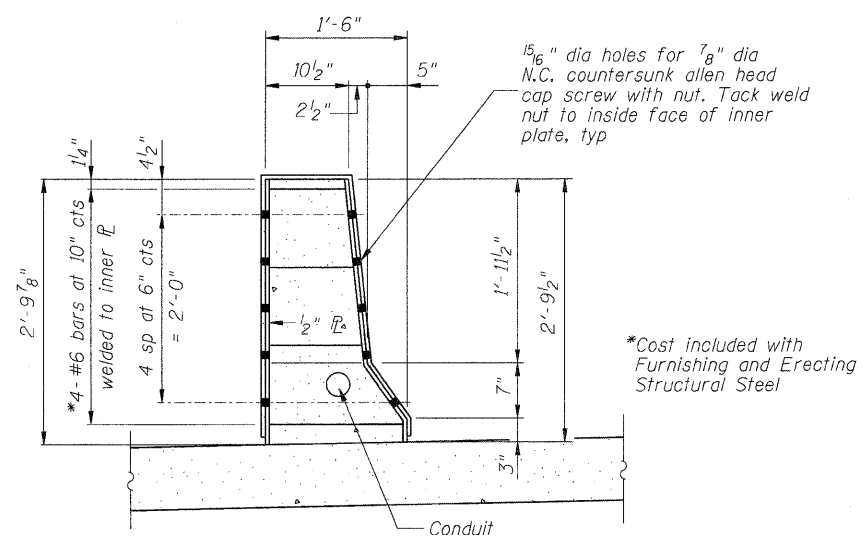


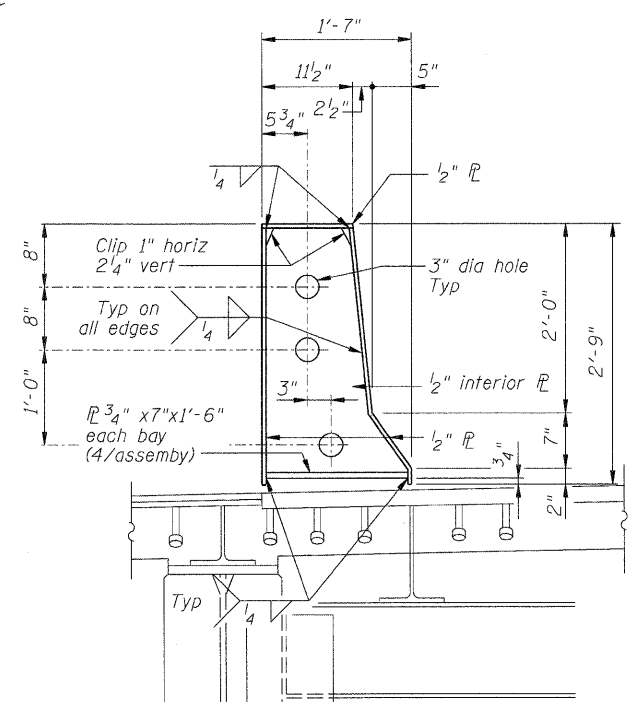
PLAN OF STEEL PARAPET
(Top plate not shown for clarity)



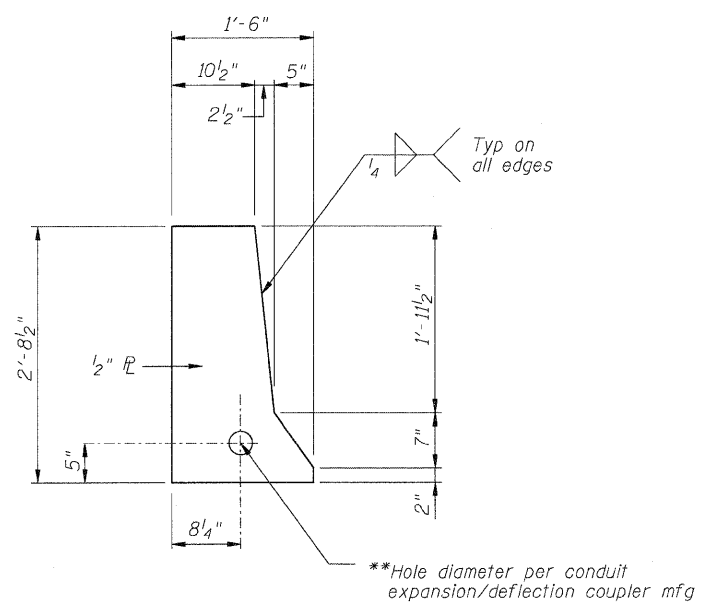
ELEVATION OF STEEL PARAPET



SECTION A-A



SECTION B-B



END PLATE DETAIL

NOTES:
 All steel plates shall conform to the requirements of AASHTO M270, Grade 50. Cost included with Furnishing and Erecting Structural Steel.
 All steel plates and #6 bars shall be galvanized after shop fabrication according to AASHTO M111 and ASTM A385.
 Countersunk head cap screws and nuts shall be hot dip galvanized according to AASHTO M232 and ASTM A153.
 The Contractor shall coordinate with the Galvanizer.
 Any changes require the approval of the Engineer.
 For additional conduit expansion/deflection coupling details see electrical plans.
 Conduit expansion fitting and necessary conduit shall be installed during fabrication of steel parapet. Expansion fitting shall be welded to inside face of end plate.

*Cost included with Furnishing and Erecting Structural Steel

**Expansion fitting to be welded to backside of end plate

FILE NAME =	D264880-shr-steelparapet.dgn
-------------	------------------------------

USER NAME =	dwoznarski
PLOT SCALE =	1:2000 / 1/4"
PLOT DATE =	7/18/2011

DESIGNED -	ACB
CHECKED -	JMB
DRAWN -	RLK
CHECKED -	ACB

REVISED -	
REVISED -	
REVISED -	
REVISED -	

**STATE OF ILLINOIS
DEPARTMENT OF TRANSPORTATION**

**STEEL PARAPET DETAILS
STRUCTURE NO. 098-0115**

SHEET NO. 35 OF 103 SHEETS

F.A.P. RTE.	SECTION	COUNTY	TOTAL SHEETS	SHEET NO.
646	1B-2	WHITESIDE	257	138
CONTRACT NO. 64B80				
ILLINOIS FED. AID PROJECT				