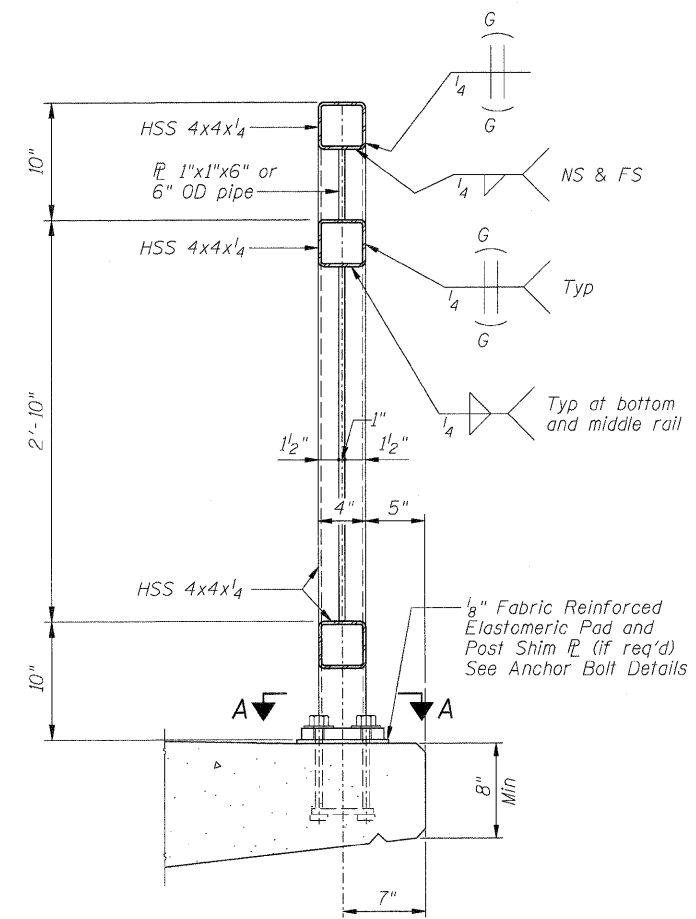
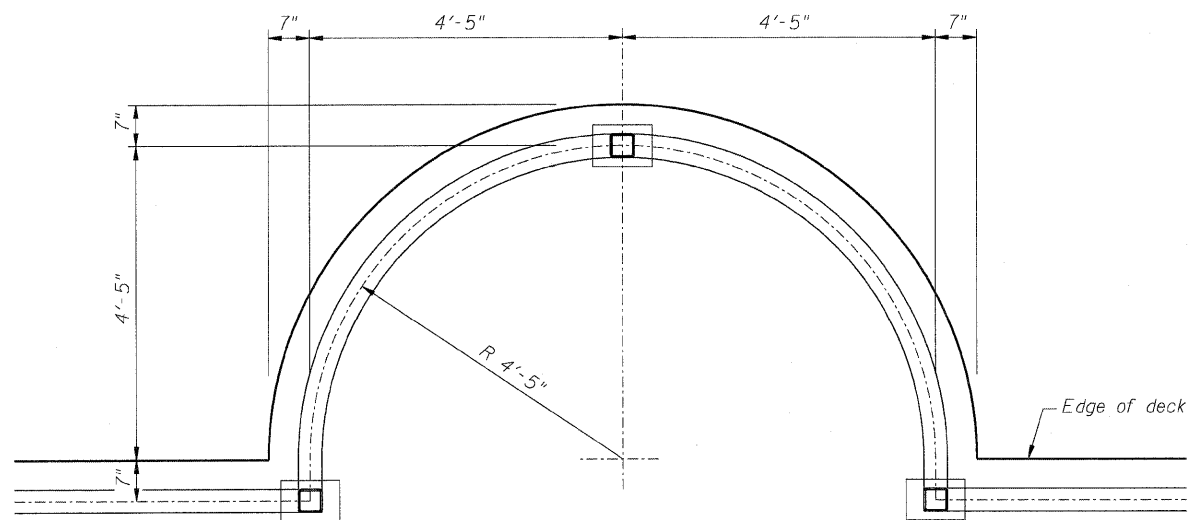


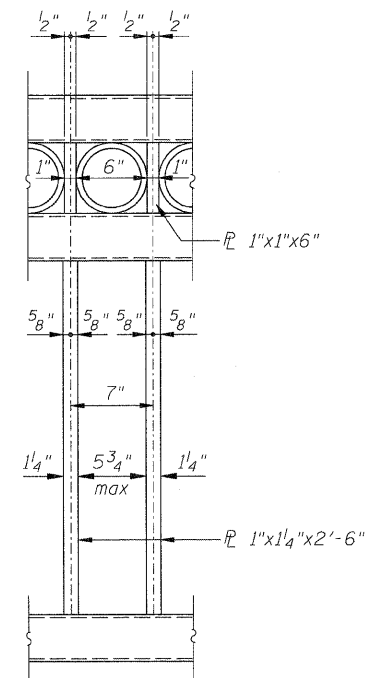
PARTIAL ELEVATION OF SIDEWALK RAILING



SECTION THRU SIDEWALK RAILING



PLAN OF SIDEWALK RAILING AT SCENIC OVERLOOK



TYPICAL RAILING DETAIL

\*Penetration between pipe segments and bar is approximate. Avoid leaving significant weld debris as pipe diverges. Grind flush on sidewalk side.

\*\*Pipe segments shall have all corners ground to remove burrs or sharp projections.

Notes:

See Sheet 46 of 103 for Section A-A and anchor bolt details  
See Sheets 26-29, 44, and 78-79 of 103 for rail post spacings.

FILE NAME =  
D264980-sht-railing.dgn

USER NAME = dwozniarski  
PLOT SCALE = 0.6667' / IN.  
PLOT DATE = 7/18/2011

DESIGNED - ACB  
CHECKED - JMB  
DRAWN - RLK  
CHECKED - ACB

REVISED -  
REVISED -  
REVISED -  
REVISED -

STATE OF ILLINOIS  
DEPARTMENT OF TRANSPORTATION

DECORATIVE STEEL RAILING DETAILS (SHEET 1 OF 4)  
STRUCTURE NO. 098-0115

SHEET NO. 43 OF 103 SHEETS

F.A.P. RTE.	SECTION	COUNTY	TOTAL SHEETS	SHEET NO.
646	IB-2	WHITESIDE	257	146
ILLINOIS FED. AID PROJECT				