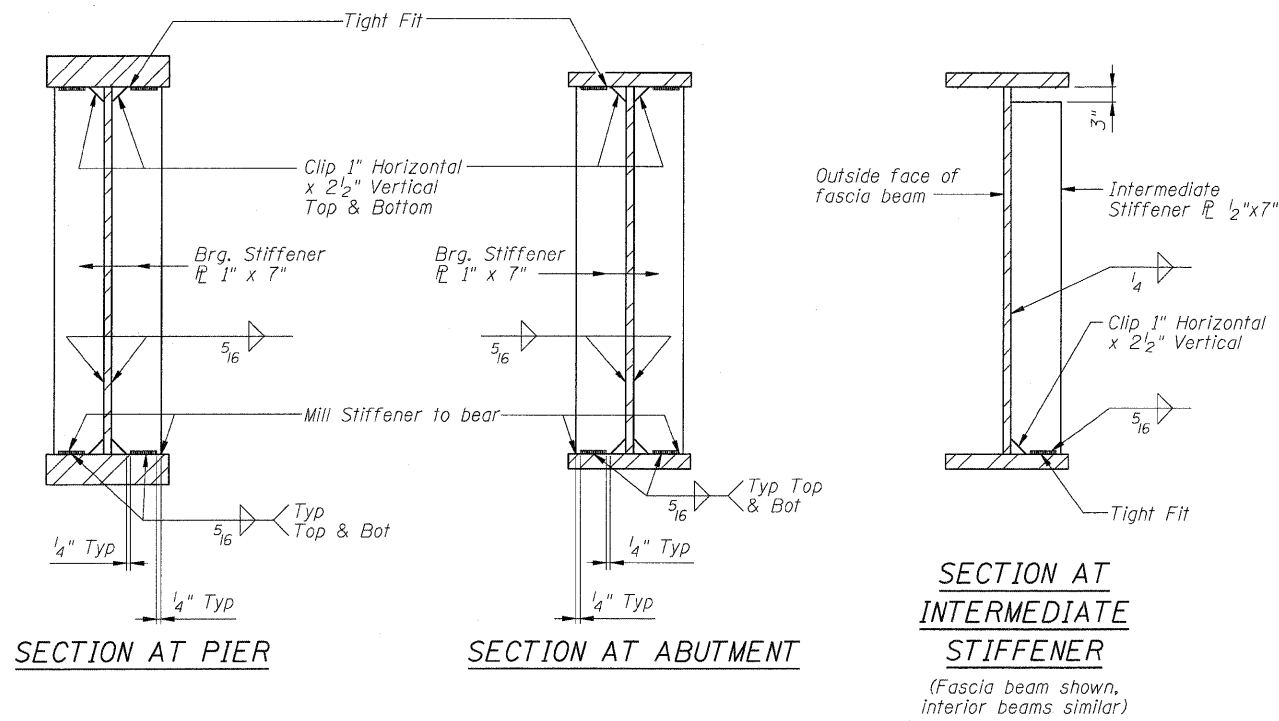
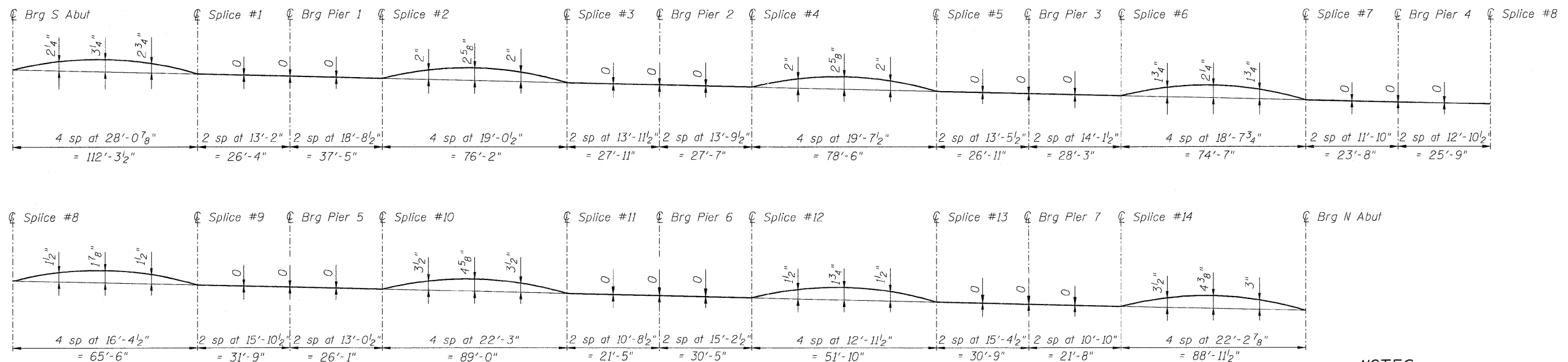


* TOP OF WEB ELEVATIONS



Location	Girder 1	Girder 2	Girder 3	Girder 4	Girder 5	Girder 6	Girder 7	Girder 8	Girder 9	Girder 10
CL Brg at S. Abut	645.621	645.788	645.955	646.121	646.246	646.246	646.121	645.955	645.788	645.621
Splice 1	646.200	646.367	646.533	646.700	646.825	646.825	646.700	646.533	646.367	646.200
CL Brg at Pier 1	646.279	646.445	646.612	646.779	646.904	646.904	646.779	646.612	646.445	646.279
Splice 2	646.435	646.602	646.768	646.935	647.060	647.060	646.935	646.768	646.602	646.435
Splice 3	646.929	647.096	647.262	647.429	647.554	647.554	647.429	647.262	647.096	646.929
CL Brg at Pier 2	647.052	647.219	647.386	647.552	647.677	647.677	647.552	647.386	647.219	647.052
Splice 4	647.199	647.366	647.533	647.699	647.824	647.824	647.699	647.533	647.366	647.199
Splice 5	647.588	647.755	647.921	648.088	648.213	648.213	648.088	647.921	647.755	647.588
CL Brg at Pier 3	647.718	647.885	648.052	648.218	648.343	648.343	648.218	648.052	647.885	647.718
Splice 6	647.855	648.022	648.188	648.355	648.480	648.480	648.355	648.188	648.022	647.855
Splice 7	648.266	648.433	648.599	648.766	648.891	648.891	648.766	648.599	648.433	648.266
CL Brg at Pier 4	648.372	648.538	648.705	648.872	648.997	648.997	648.872	648.705	648.538	648.372
Splice 8	648.487	648.654	648.820	648.987	649.112	649.112	648.987	648.820	648.654	648.487
Splice 9	648.767	648.934	649.101	649.267	649.392	649.392	649.267	649.101	648.934	648.767
CL Brg at Pier 5	648.966	649.133	649.300	649.466	649.591	649.591	649.466	649.300	649.133	648.966
Splice 10	649.130	649.296	649.463	649.630	649.755	649.755	649.630	649.463	649.296	649.130
Splice 11	649.165	649.332	649.498	649.665	649.790	649.790	649.665	649.498	649.332	649.165
CL Brg at Pier 6	648.914	649.081	649.247	649.414	649.539	649.539	649.414	649.247	649.081	648.914
Splice 12	648.557	648.724	648.891	649.057	649.182	649.182	649.057	648.891	648.724	648.557
Splice 13	647.676	647.843	648.009	648.176	648.301	648.301	648.176	648.009	647.843	647.676
CL Brg at Pier 7	646.994	647.160	647.327	647.494	647.619	647.619	647.494	647.327	647.160	646.994
Splice 14	646.513	646.680	646.846	647.013	647.138	647.138	647.013	646.846	646.680	646.513
CL Brg at N. Abut	643.470	643.637	643.803	643.970	644.095	644.095	643.970	643.803	643.637	643.470

* For Fabrication Only



CAMBER DIAGRAM

NOTES:

Structural steel shall be AASHTO M270 Grade 50 for the girders, transverse stiffeners, bearing stiffeners and full length connection plates.

Load carrying components designated "NTR" shall conform to the Supplemental Requirements For Notch Toughness, Zone 2.

FILE NAME = D264B80-shr-Frmgdt1sl.dgn

USER NAME = dwoznarski
 PLOT SCALE = 10.0000 / IN.
 PLOT DATE = 7/18/2011

DESIGNED - ACB
 CHECKED - JMB
 DRAWN - RLK
 CHECKED - ACB

REVISED -
 REVISED -
 REVISED -
 REVISED -

STATE OF ILLINOIS
 DEPARTMENT OF TRANSPORTATION

FRAMING DETAILS (SHEET 1 OF 4)
 STRUCTURE NO. 098-0115

SHEET NO. 57 OF 103 SHEETS

F.A.P. RTE.	SECTION	COUNTY	TOTAL SHEETS	SHEET NO.
646	IB-2	WHITESIDE	257	160
			CONTRACT NO. 64B80	
ILLINOIS FED. AID PROJECT				